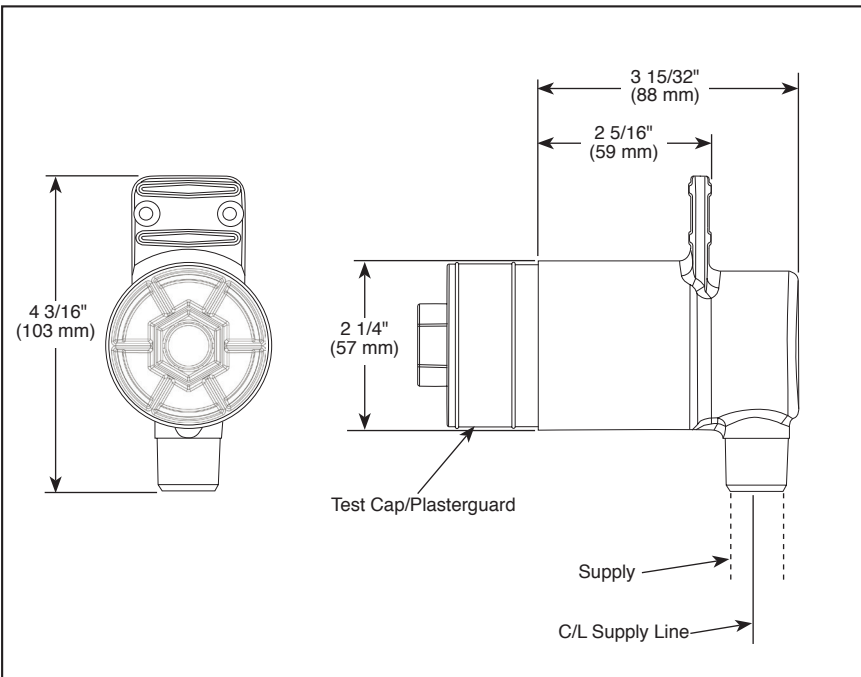


Submitted Model No.: _____

Specific Features: _____



▲ Designate proper finish suffix



see what Delta can doSM

HYDRACHOICE™ ROUGH VALVE BODY

- R50200
- 1/2" Rough-In

STANDARD SPECIFICATIONS

- 2 9/16" thru hole in wall
- Forged brass body
- Includes test cap and plasterguard
- Can be tested with air (200 psi) or water (300 psi) using supplied test cap
- Accommodates up to 3" wall thickness
- Must also order trim (T50010▲ or T50210▲) and spray heads (SH5000▲, SH5002▲, SH5003▲, or SH5005▲) separately

WARRANTY

- Parts and Finish - Lifetime limited warranty; or for commercial purchasers, 10 years for multi-family residential (apartments and condominiums) and 5 years for all other commercial uses, in each case from the date of purchase.
- Electronic Parts and Batteries (if applicable) - 5 years from the date of purchase; or for commercial purchasers, 1 year from the date of purchase. No warranty is provided on batteries.

COMPLIES WITH:

- ASME A112.18.1 / CSA B125.1

Delta reserves the right (1) to make changes in specifications and materials, and (2) to change or discontinue models, both without notice or obligation. Dimensions are for reference only. See current full-line price book or www.deltafaucet.com for finish options and product availability.

DSP-B-R50200 Rev. D

Delta Faucet Company

55 E. 111th Street, Indianapolis, IN 46280
350 South Edgeware Road, St. Thomas, ON N5P 4L1
© 2021 Delta Faucet Company