

# NEVIS WIDE DRESSER MIRROR

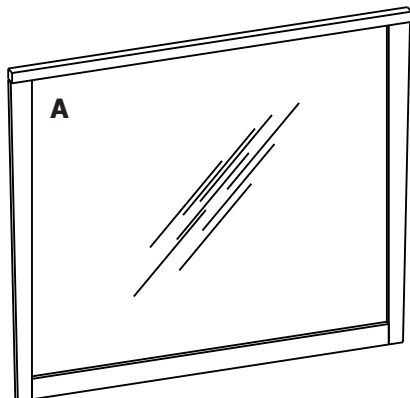
## ASSEMBLY INSTRUCTIONS

**MFI** MODUS  
FURNITURE  
INTERNATIONAL

### PARTS AND FITTING PACKAGING DETAIL

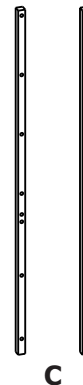
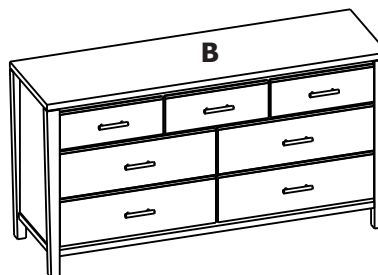
#### BOX WIDE DRESSER MIRROR

A. WIDE DRESSER MIRROR 1 PC



#### BOX DRESSER 7 DRAWER \*

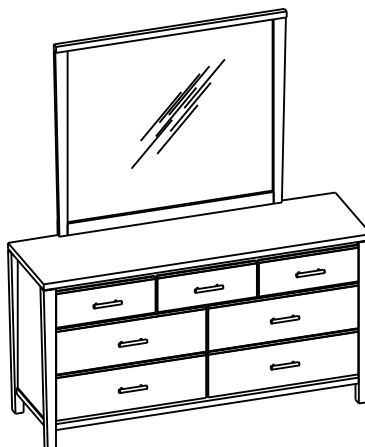
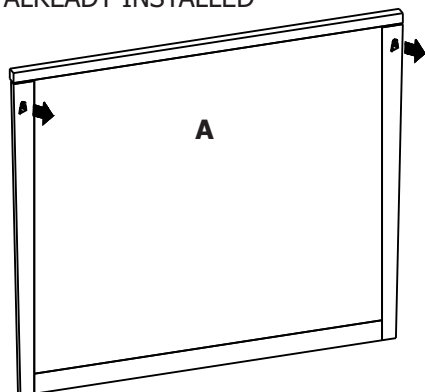
B. DRESSER 7 DRAWER 1 PC  
C. DRESSER MIRROR SUPPORT 2 PCS  
HARDWARE\*\* IN PLASTIC PUNCH



\*SOLD SEPARATELY

#### OPTION 1 FIXING WIDE DRESSER MIRROR ON THE WALL

HANGING ON THE WALL  
USING EYE LIDS WHICH  
ALREADY INSTALLED



#### OPTION 2 FIXING WIDE DRESSER MIRROR ON THE DRESSER 7 DRAWER

#### HARDWARE\*\* PACKED IN BOX DRESSER 7 DRAWER

1	WOOD SCREWS Ø8X38MM	16 PCS
---	------------------------	-----------



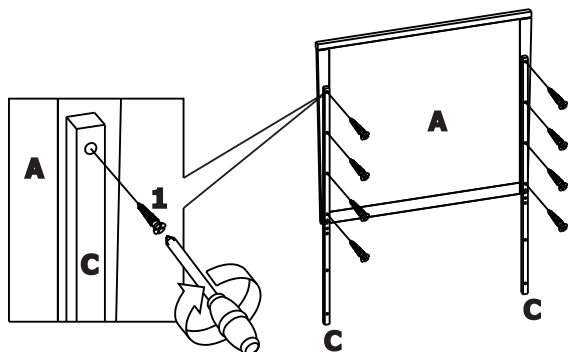
**TOOL REQUIRED :**  
PHILLIPS HEAD SCREW  
DRIVER (NOT PROVIDED)



#### STEP 1 :

PLACE DRESSER MIRROR SUPPORT (C) USING PILOT HOLES ON THE MIRROR AS YOUR GUIDE.

USE PILOT HOLES AS REFERENCE TO CONNECT DRESSER MIRROR (A) & DRESSER MIRROR SUPPORT (C) USING WOOD SCREWS (1). TIGHTEN THE SCREWS USING PHILLIPS HEAD SCREW. REPEAT THE STEP FOR SECOND DRESSER MIRROR SUPPORT (C).



#### STEP 2 :

PLACE DRESSER MIRROR SUPPORT (C) USING PILOT HOLES ON THE DRESSER AS YOUR GUIDE.

FOLLOW THE ILLUSTRATION TO FIX DRESSER MIRROR (A) TO DRESSER 7 DRAWER (B) USING WOOD SCREWS (1) ON DRESSER MIRROR SUPPORT (C) FROM BACK SIDE, USE PILOT SCREWS AS REFERENCE FOR EASY ASSEMBLY. TIGHTEN THE SCREWS USING PHILLIPS HEAD SCREW.

