

CONTENTS

- 1 x Left Door Panel
- 1 x Right Door Panel
- 2 x Side Panels
- 1 x Pre-Connected Back Panel
- 4 x Door Support Bars
- 10 x Protective Caps
- 32 x Shelf Sleeve Clips (16 sets)
- 1 x Hardware Bag (2 x Bushings, 2 x Screws, 2 x Washers, 1 x Hex Key)

ADDITIONAL COMPONENTS (sold separately)

VCS-Series	Wire Shelving Set
VC-Series	Wire Shelves
VC-63P	63"H Posts (for use with casters)
VC-72P	72"H Posts (for non-mobile use)
VC-CT & VC-CTB	Casters

1 ASSEMBLE THE POSTS

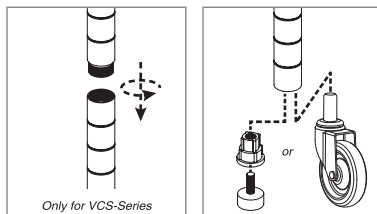
NOTE:

- For mobile units, use 63" posts.
- For non-mobile units, use 72" posts.
- For VCS-Series: twist together the post parts.

Attach the casters or leveling feet to the bottom of the post.
Repeat for remaining posts.

NOTE:

Top of posts have black caps

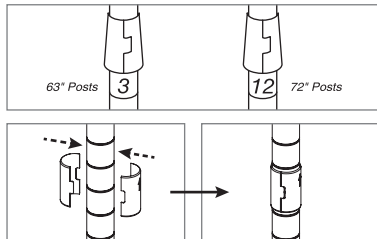


2 ATTACH BOTTOM SHELF SLEEVE CLIPS

Snap-on a pair of Shelf Sleeve Clips at indicated location on the post from the top and slide down to "click" into groove.
Arrow on clip should point UP toward top.

Repeat for remaining posts.

NOTE: A small gap between clip will not prohibit assembly

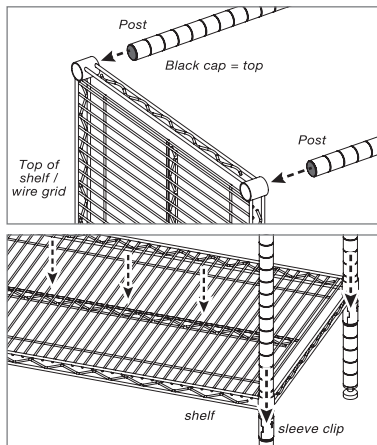


3 ATTACH BOTTOM SHELF

Place shelf on its side on flat even floor.
Slide the post top through the corner holes on the shelf.

NOTE: The shelf wire grid and post tops should both be facing up

Once all posts have been inserted into the four shelf corners, place the assembly upright.
Press the shelf down firmly, onto and over the sleeve clips.
Gently tap with a rubber mallet for snug, secure fit.



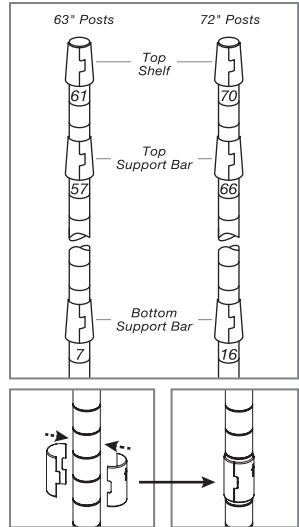
4 INSTALL BOTTOM DOOR SUPPORT BARS

Attach Shelf Sleeve Clips at indicated location on all posts.

Slide the Door Support Bars over the Posts on the short sides.

Press the Door Support Bars down firmly, onto and over the Shelf Sleeve Clips.

Gently tap with a rubber mallet for snug, secure fit.



5 INSTALL ADDITIONAL SHELVES

Determine position of shelf.

Attach Shelf Sleeve Clips.

Slide the Shelf over the Posts.

Press the shelf down firmly, onto and over the shelf sleeve clips.

Gently tap with a rubber mallet for snug, secure fit.

Repeat for additional shelves.

6 ATTACH TOP DOOR SUPPORT BARS

Attach Shelf Sleeve Clips at indicated location on all posts.

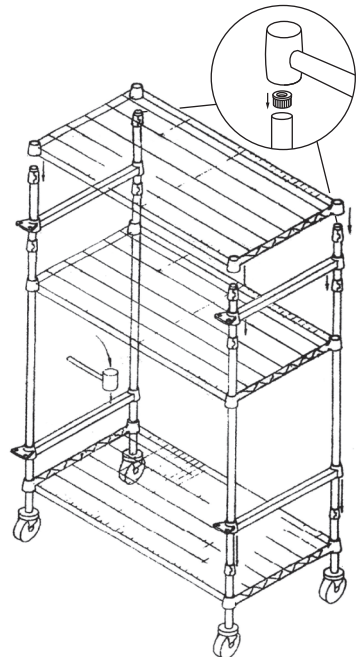
Slide the Door Support Bars over the Posts on the short sides.

Press the Door Support Bars down firmly, onto and over the Shelf Sleeve Clips.

Gently tap with a rubber mallet for snug, secure fit.

7 PREPARE TOP SHELF

- At the top of the posts, snap on Shelf Sleeve Clips and slide to "click" into groove.
- Remove the top Black End Caps on the back posts.
- Attach the Bushings to the top of the posts with a rubber mallet.
- Place the top shelf onto posts but DO NOT fully set onto clips.

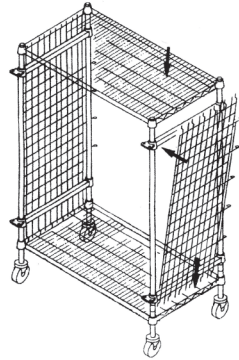


8 INSTALL SIDE PANELS

Attach the Side Panel by hooking wires into the bottom and top shelves.

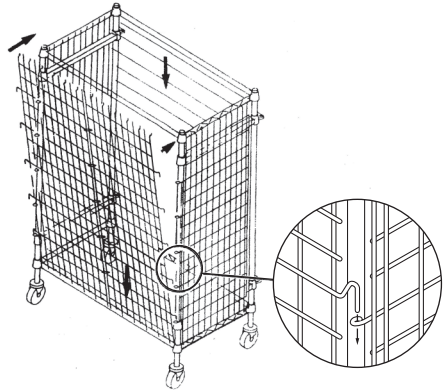
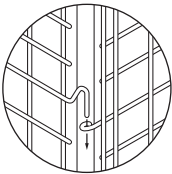
NOTE: The Side Panel hooks will extend pass the shelves.

Repeat for the second Side Panel.

**9 INSTALL BACK PANELS AND TOP SHELF**

Attach the Back Panels by hooking wires into the bottom and top shelves, ensuring the hooks are affixed to side panels.

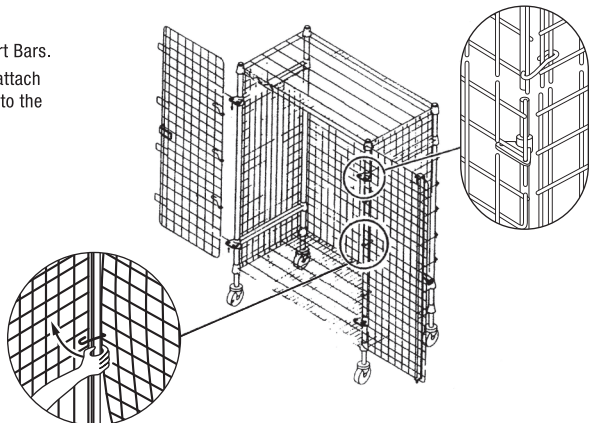
With Side and Back Panels installed, secure the top shelf into place with a rubber mallet.

**10 ATTACH THE DOORS**

Hook the Door onto the Door Support Bars.

With the door in the open position, attach the 3 wire hooks on the Door Panel to the Side Panel.

Repeat for remaining door.

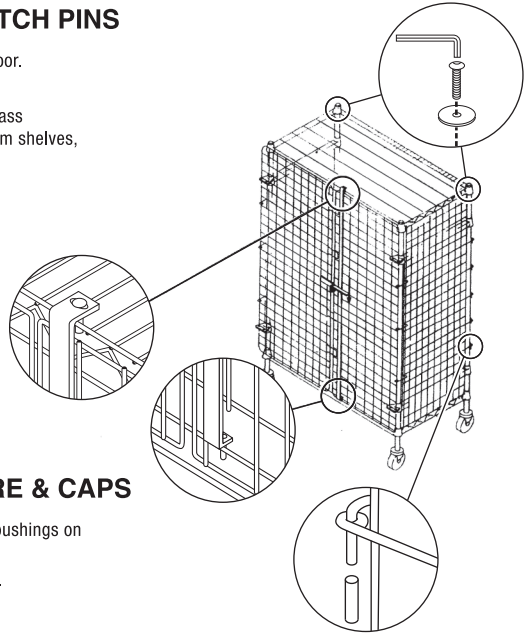


11 CHECK DOORS AND LATCH PINS

Close the left door and then the right door.

Slide down the latch bar.

The top and bottom latch pins should pass between the wires on the top and bottom shelves, preventing the doors from opening.



12 ATTACH THE HARDWARE & CAPS

- Attach the washers and screws to the bushings on the top back posts with the hex key.
- Attach protective caps to ends of wires.



WARNING TIPPING HAZARD

- PUSH MOBILE UNIT FROM SHORT SIDE
- DO NOT STAND OR CLIMB THE SHELVING
- PLACE HEAVY OBJECTS ON LOWEST SHELF
- DISTRIBUTE WEIGHT EVENLY
- INSPECT CASTERS BEFORE USE
- REPLACE WORN CASTERS IMMEDIATELY

**FAILURE TO FOLLOW INSTRUCTIONS
COULD RESULT IN PERSONAL INJURY
OR PROPERTY DAMAGE**

