

**12V 30W & 75W Zero Load Transformer Electronic Transformer****96620S, 96622S 1.3**

# GENERATION LIGHTING

**GENERAL PRODUCT INFORMATION:**

This transformer is safety listed for use with low voltage lighting systems offered by Visual Comfort.

This product is safety listed only for indoor dry locations and approved for use at any height above the finished floor.

A typical installation is shown. Specific installation must be in accordance with the local electrical codes.

This product may be dimmed only with a low voltage electronic dimmer. Using a dimmer not designed for low voltage electronic applications may work initially, but could eventually cause transformer failure and will void the warranty. The dimmer must be derated as indicated by the dimmer manufacturer.

During installation, make sure all power connections are tight.

Read all instructions thoroughly. Read "Important Safety Information" on next column before proceeding with the installation.

**Important Safety Information**

Do not conceal or extend bus bar conductors through a building wall.

To reduce the risk of fire and burns, do not install this lighting system where the uninsulated open bus bar conductors can be shorted or contact any conductive materials.

To reduce the risk of the system overheating and possibly causing a fire, make sure all the connections are tight.

Do not install fixture assemblies closer than six inches to curtains or similarly combustible materials.

Turn the electrical power off before modifying the lighting system in any way.

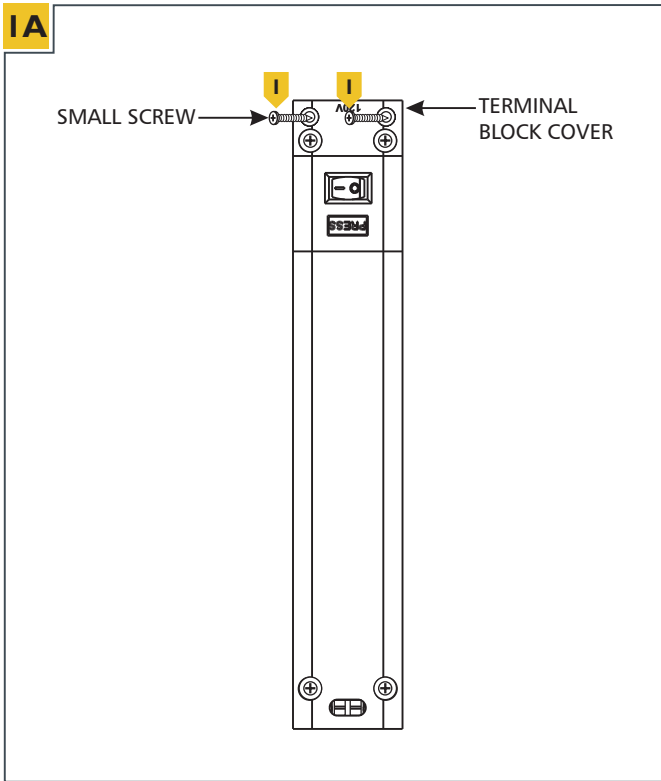
The fixtures used with the system must be identified for use with the corresponding system.

**To Reduce Risk of Fire**, it is important to wire the remote transformer for the system as described in this installation instruction.

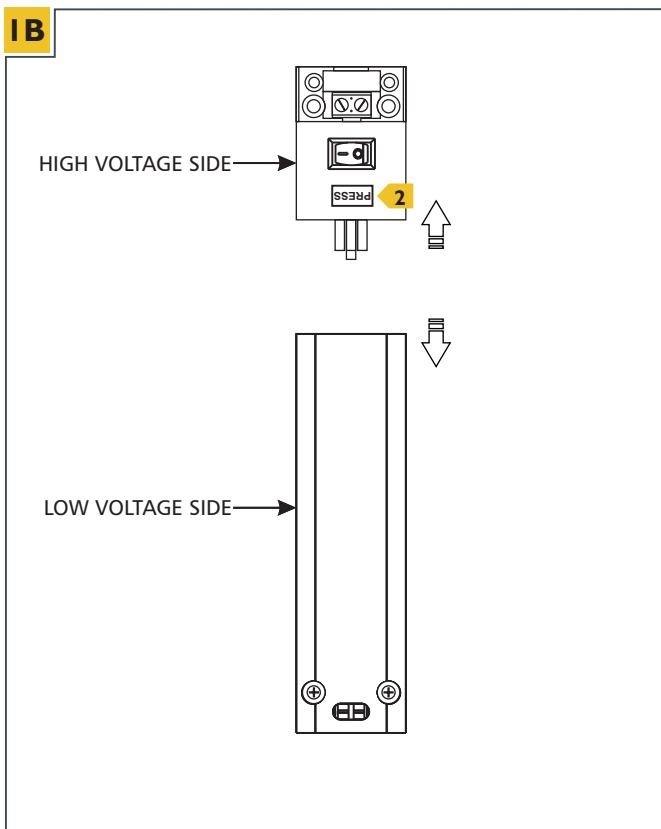
The circuit of the remote transformer is rated at a **MAXIMUM** of 30 Watts for Model 96620S and 60 Watts for Model 96622S. Do not exceed.

**SAVE THESE INSTRUCTIONS!**

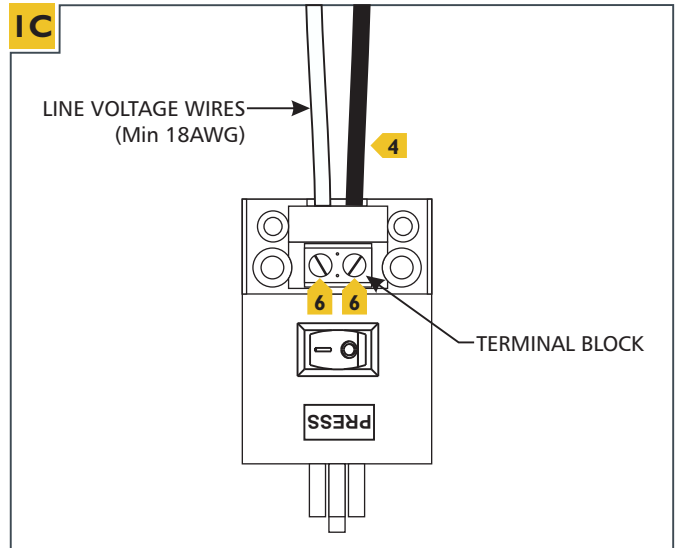
# Install the Remote Transformer



**1** Loosen (do not remove) the two small screws on the terminal block cover. Remove the cover.

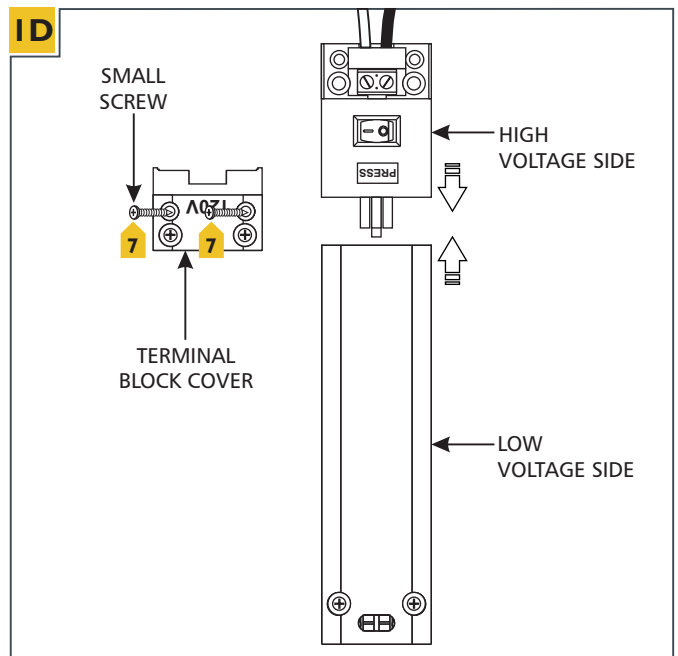


**2** Press and hold the "Press" button on the line voltage side and pull it apart from the low voltage side.



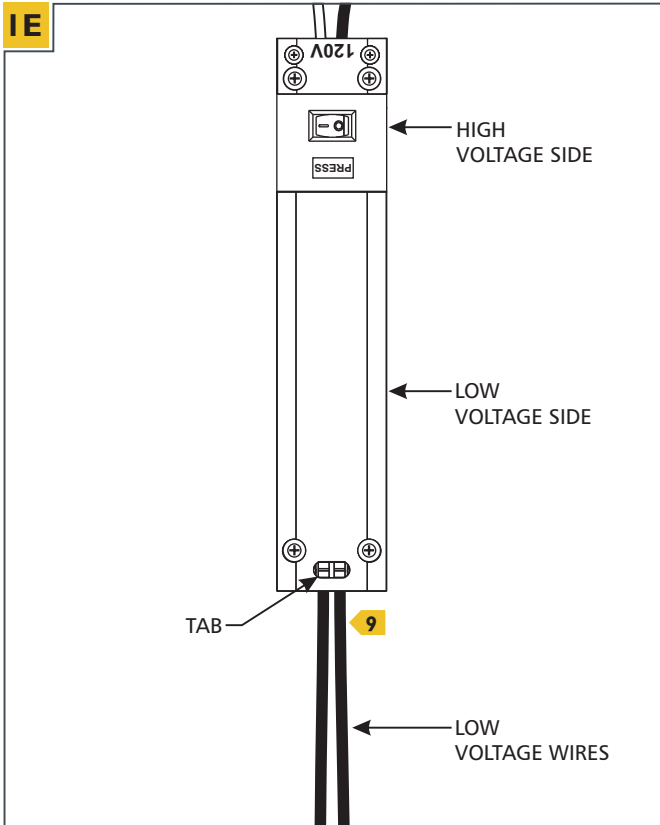
**Note:** This transformer does not require connection to a supply ground wire to insure safe operation. It is manufactured using a polymeric enclosure that provides complete isolation. If using three conductor supply wires, please sever the ground conductor cleanly so it terminates in the transformer wiring compartment.

- 3** Loosen the two screws on the terminal block.
- 4** Bring properly sized supply wires (min 18AWG) to transformer.
- 5** Connect the hot and neutral 120V power line wires into the 120V terminal block of the transformer.
- 6** Re-tighten the screws on the terminal block.

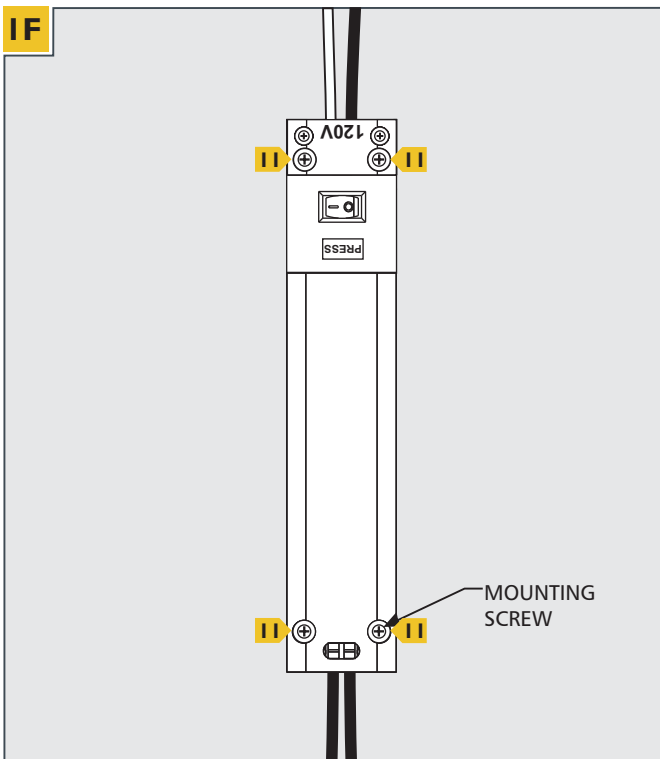


- 7** Re-install the terminal block cover and secure it with the two small screws.
- 8** Re-connect the high voltage side to the low voltage side.

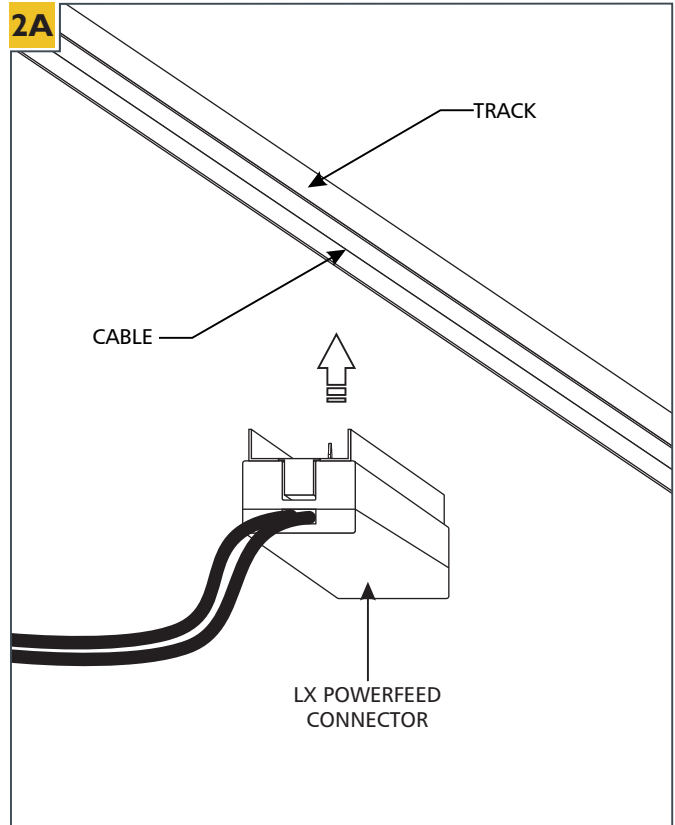
## For LX Track Systems



- 9** On the low voltage side, press and hold one tab, then insert a low voltage wire into the port. Release the tab to secure the wire in place. Repeat for the remaining wire.



- 10** Select the desired location to mount the transformer housing (not in contact with insulation and away from oven or any other source of intense heat).
- 11** Secure the transformer to the mounting location by screwing in the four mounting screws.



- 11** Press the LX powerfeed connector straight onto the track until it snaps into place.