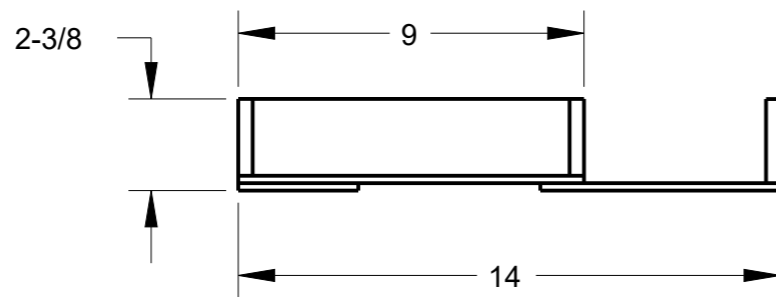
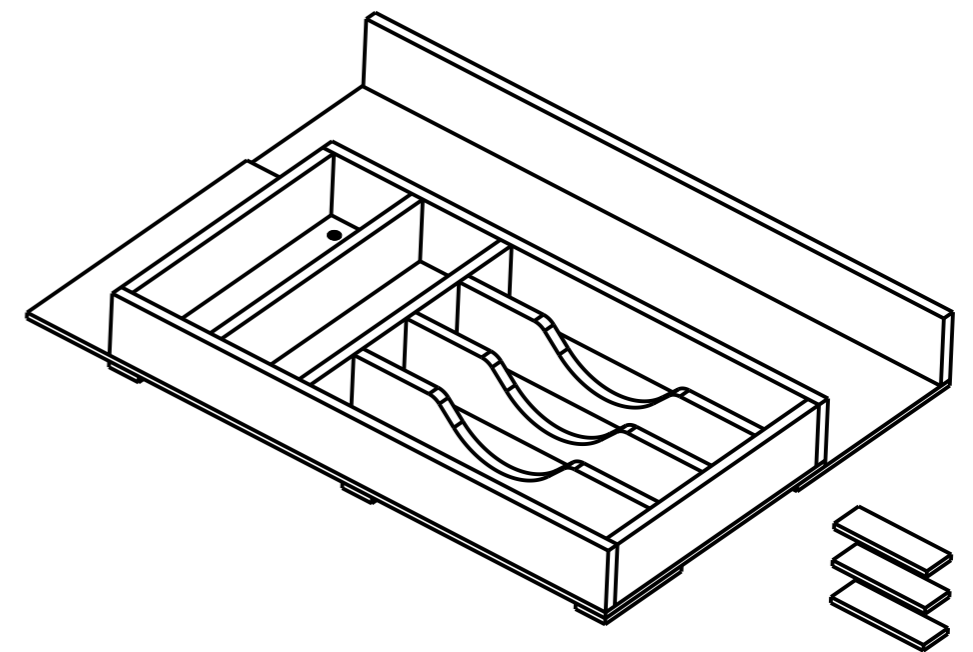
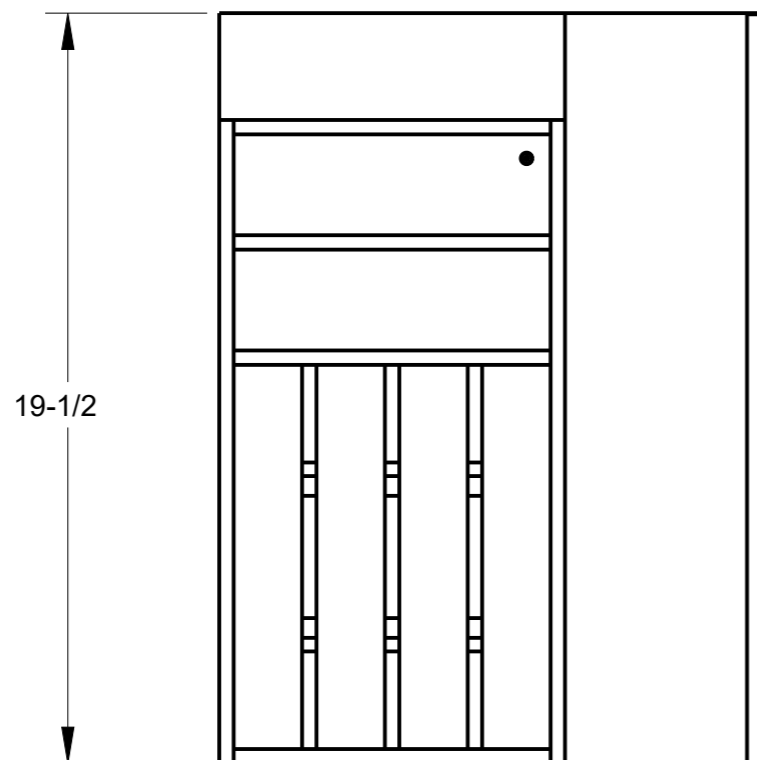


8 7 6 5 4 3 2 1

F
E
D
C
B
A



HARDWARE RESOURCES RESERVES THE RIGHT TO CHANGE SPECIFICATIONS WITHOUT NOTICE. IN CASE OF A DISCREPENCY, ACTUAL PART GEOMETRY SUPERSEDES THIS DOCUMENT.

THE INFORMATION CONTAINED WITHIN THIS DRAWING IS THE SOLE PROPERTY OF HARDWARE RESOURCES INC. ANY REPRODUCTION IN PART OR WHOLE WITHOUT WRITTEN PERMISSION OF HARDWARE RESOURCES INC. IS PROHIBITED.

DOCUMENT STATUS **Released**
UNLESS OTHERWISE SPECIFIED DIMENSIONS ARE IN INCHES (IN)

| | |
|----------|-----------|
| MATERIAL | FINISH |
| WOOD | UV COATED |

| | |
|------------------------|-----------|
| THIRD ANGLE PROJECTION | DATE |
| | 11AUG2023 |

DESCRIPTION
ADJUSTABLE MODERN CUTLERY DRAWER INSERT, 9-14in

| | | |
|----------------|-------|----------|
| DRAWING NUMBER | | REV |
| CO15A | | A |
| SIZE | SCALE | SHEET |
| A3 | 0.200 | 1 / 1 |

8 7 6 5 4 3 2 1