

Seat shall be Comfort™ Seats

Model Number C1210S

Consumer Package Model # C3B3R7S

EZ Close® & QuickKlean™ Deluxe Plastic Toilet Seat

Round Closed Front with Cover

Category

RESIDENTIAL

Features

- EZ Close® damper system
- Easy to Clean - Lift off QuickKlean™ design hinge covers and pull seat forward to remove
- Injection molded durable polypropylene plastic with UV protection
- Molded in bumpers
- Matching adjustable hinge
- Corrosion proof POM nuts and bolts
- Rubberized non-skid pads
- Top mount design

Seat Color/Finish

Specify white, bone or biscuit

Hinge Color/Finish

Specify white, bone or biscuit

Product Specifications

Hinge Design: Heavy duty EZ Close™ damper system

Ring Thickness: 5/8"

Ring Thickness with Bumper: 7/8"

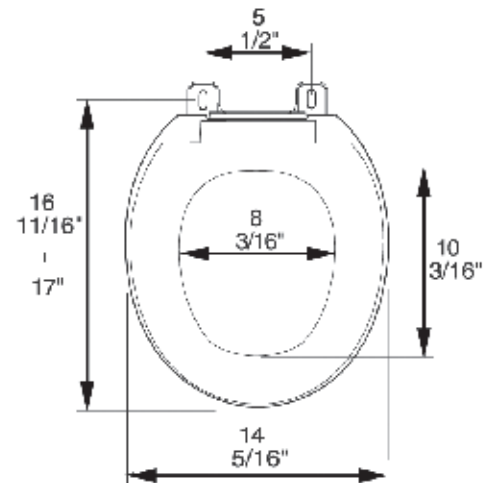
Height of Seat with Cover: 1 3/4"

Size: ANSI Standard Toilet

Additional Information

Stainless Steel (Model #C200-HPSS) or Metal (Model #C200-HPM) installation hardware for commercial/hospitality installations.

All seats feature UV protection.



Corrosion proof, self-aligning hardware



Factory-installed "living" hinge covers



Heavy duty EZ Close™ damper system

