

**AXOR Citterio**  
**Thermostatic Trim with Volume Control and Diverter**  
Finishes : **brushed nickel** Part no. : **39720821**



## Description

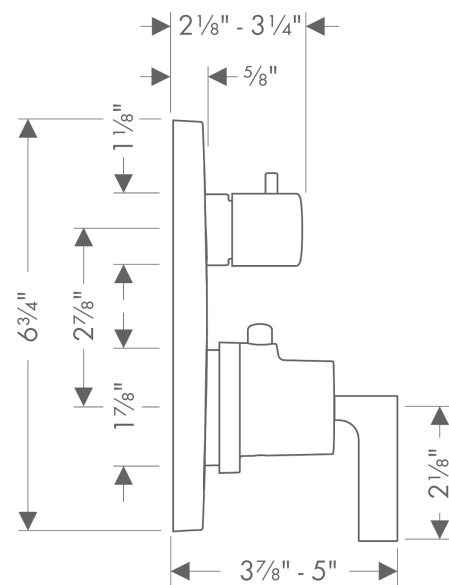
### Features

- Volume control and diverter for 2 outlets
- Flow: 7.0 GPM (26.5 L/Min)
- Thermostatic cartridge, Shut-off/ diverter valve
- Anti-scald 100° safety stop

## Product image



## Scale drawing

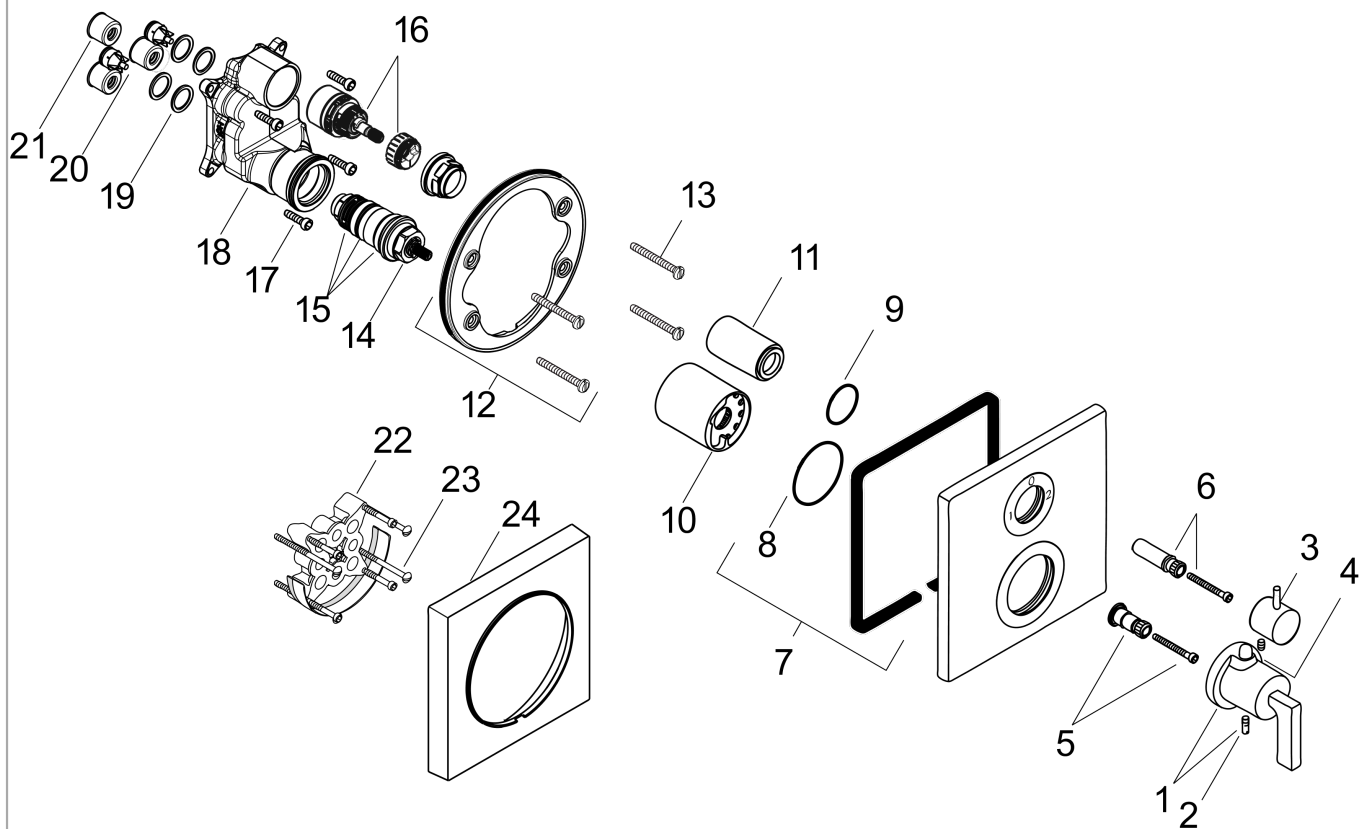


**AXOR Citterio**  
**Thermostatic Trim with Volume Control and Diverter**  
Finishes : **brushed nickel**    Part no. : **39720821**



## Exploded drawing

Year of production: >10/13



**AXOR Citterio**  
**Thermostatic Trim with Volume Control and Diverter**  
 Finishes : **brushed nickel** Part no. : **39720821**



## Spare parts list

Year of production: >10/13

Pos.	Description	Part no.	PC	PU
1	handle for thermostat	39994821	0	1
2	hollow set screw M5x10	97672000	0	1
3	pushbutton	97792820	0	1
4	handle	96520820	0	1
5	hollow set screw M4x8	97669000	0	1
6	adapter for handle	96435000	0	1
7	adapter for handle	95256000	0	1
8	escutcheon	96761820	0	1
9	O-Ring 48x3	95508000	0	1
10	O-ring 29x3	98371000	0	1
11	sleeve	96446820	0	1
12	sleeve	96439000	0	1
13	holder for escutcheon	98793000	0	1
14	set of fixing screws	96454000	0	1
15	thermostat cartridge	94282000	0	1
16	sealing set	95037000	0	1
17	shut off unit with selector	98283000	0	1
18	set of screws	96525000	0	1
19	installation unit cpl.	92592000	0	1
20	O-ring 16x2	98133000	0	1
21	set of non return valves DW 15	97350000	0	1
22	noise reduction	94073000	0	1
23	extension 22 mm	97407820	0	1
24	extension 25 mm	13595000	0	1