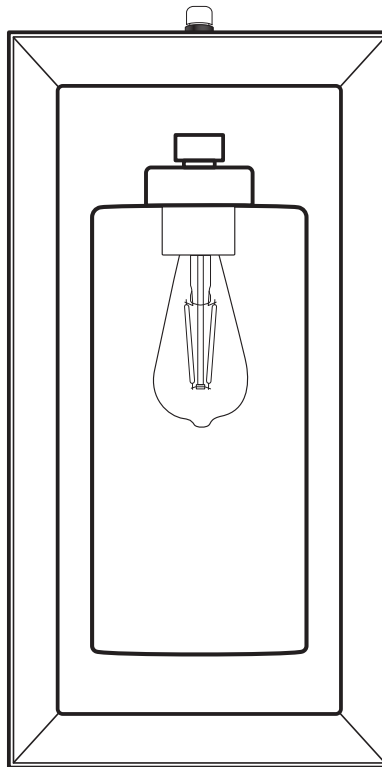


# 18 INCH LED OUTDOOR LANTERN

---

## IMPORTANT SAFETY INSTRUCTIONS AND INSTALLATION GUIDE



**IMPORTANT, RETAIN FOR FUTURE REFERENCE:  
READ CAREFULLY**



# Table of Contents

Safety Information .....	2
FCC Statement .....	2
Limited Warranty .....	2
Pre-Assembly .....	3
Installation .....	4
Dusk to Dawn .....	5
Troubleshooting .....	5

## Safety Information

For your safety, always remember to:

- Ground the fixture to avoid potential electric shock and to ensure reliable starting.
- Double-check all connections to be sure they are tight and correct.
- Wear rubber soled shoes and work on a sturdy wooden ladder.
- Account for small parts and destroy packing material, as these may be hazardous to children.
- This fixture is designed for use in a circuit protected by a fuse or circuit breaker.

### Product Specifications

- 120VAC, 60Hz, Max 20W Type SBLED Lamp.
- Suitable for Wet Locations
- Fixture designed for use only with LED light bulbs.



**WARNING: RISK OF SHOCK.** House electric current can cause painful shock or serious injury unless handled properly.



**WARNING: RISK OF CUTS.** Some metal parts in the fixture may have sharp edges. To prevent cuts and scrapes, wear gloves when handling the parts.



**CAUTION: Turn off the main power at the circuit breaker before installing the fixture, in order to prevent possible shock. CONSULT A QUALIFIED ELECTRICIAN TO ENSURE CORRECT BRANCH CIRCUIT CONDUCTOR.**



**NOTICE:** All electrical connections must be in accordance with local and national standards, National Electric Code (N.E.C.) in the US and Canadian Electrical Code (C.E.C.) in Canada. If you are unfamiliar with proper electrical wiring connections obtain the services of a qualified electrician.

## FCC STATEMENT

### Supplier's Declaration of Conformity:

47 CFR § 2.1077 Compliance Information

Responsible Party: Feit Electric Company

4901 Gregg Road, Pico Rivera, CA 90660, USA

www.feit.com

Unique Identifier: LAN18REC/BLK, ITM. / ART. 1829195

This device complies with part 15 of the FCC Rules. Operation is subject to the following two conditions: (1) This device may not cause harmful interference, and (2) this device must accept any interference received, including interference that may cause undesired operation. Note: This equipment has been tested and found to comply with the limits for a Class B digital device, pursuant to part 15 of the FCC Rules. These limits are designed to provide reasonable protection against harmful interference in a residential installation. This equipment generates, uses and can radiate radio frequency energy and, if not installed and used in accordance with the instructions, may cause harmful interference to radio communications. However, there is no guarantee that interference will not occur in a particular installation. If this equipment does cause harmful interference to radio or television reception, which can be determined by turning the equipment off and on, the user is encouraged to try to correct the interference by one or more of the following measures: Reorient or relocate the receiving antenna. Increase the separation between the equipment and receiver. Connect the equipment into an outlet on a circuit different from that to which the receiver is connected. Consult the dealer or an experienced radio/TV technician for help. Any changes or modifications not expressly approved by the manufacturer could void the user's authority to operate the equipment.

## Limited Warranty

This product is warranted to be free from defects in workmanship and materials for up to 3 years from date of purchase. If the product fails within the warranty period, please contact Feit Electric at [info@feit.com](mailto:info@feit.com), visit [feit.com/contact-us](http://feit.com/contact-us) or call 1-866-326-BULB (2852) for instructions on replacement or refund. REPLACEMENT OR REFUND IS YOUR SOLE REMEDY. EXCEPT TO THE EXTENT PROHIBITED BY APPLICABLE LAW, ANY IMPLIED WARRANTIES ARE LIMITED IN DURATION TO THE DURATION OF THIS WARRANTY. LIABILITY FOR INCIDENTAL OR CONSEQUENTIAL DAMAGES IS HEREBY EXPRESSLY EXCLUDED. Some states and provinces do not allow the exclusion of incidental or consequential damages, so the above limitation or exclusion may not apply to you. This warranty gives you specific legal rights, and you may also have other rights which vary from state to state or province to province.

## TOOLS REQUIRED (NOT INCLUDED)



Phillips  
Screwdriver

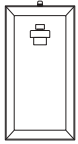


Sealant

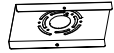
## HARDWARE INCLUDED



NOTE: Hardware not shown to actual size.



AA



BB



CC



DD



EE



FF



GG



HH



II

Part	Description	Quantity
AA	Fixture Body	1
BB	Mounting plate	1
CC	Fixture Mounting Thumb Screws	2
DD	J-box Mounting Screws	2
EE	Wire Nuts	3
FF	Rubber Washers	2
GG	Sensor Cover	1
HH	ST19 LED Light Bulb	1
II	Glass Shade	1

### IMPORTANT WIRING INFORMATION

Always follow the recommended wire strip lengths and wiring combinations when connecting wires.



Hold stripped ends next to each other and align frayed strands (do not twist wires).

Push wires firmly into wire nut. Using your fingers, twist wire nut clockwise until tight. Check for tightness by pulling wires.

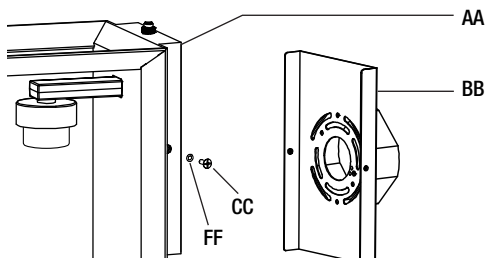
# Installation

## 1 Turning Off Power

Turn off the power at the switch and fuse box or circuit breaker box.

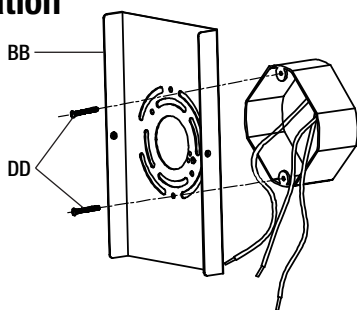
## 2 Prepare Pre-Installed Mounting Plate

Unscrew the two (2) thumb screws (CC) remove the washers (FF) and keep them for later. Remove the mounting plate (BB).



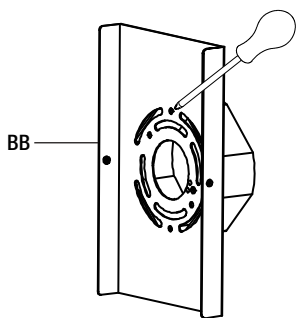
## 3 Mounting Plate Installation

Mount crossbar (BB) to outlet box by inserting the two J-box mounting screws (DD) through slots in mounting plate (BB).



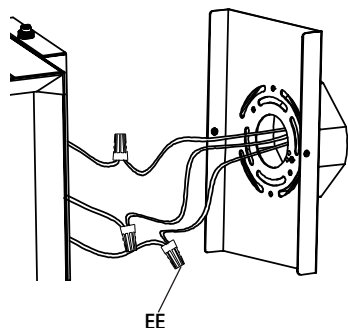
## 4 Adjust Mounting Plate

Position the mounting plate (BB) for fixture mounting screws to horizontal position. Tighten both screws on mounting plate (BB) to hold the mounting plate in place.



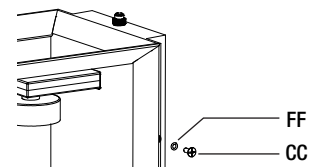
## 5 Connect Wires

Lift the fixture to the outlet box. Using the wire nuts (EE) provided, connect the green ground wire from the fixture to the house ground. Connect the white fixture wire to the neutral supply wire and connect the black fixture wire to the live wire.



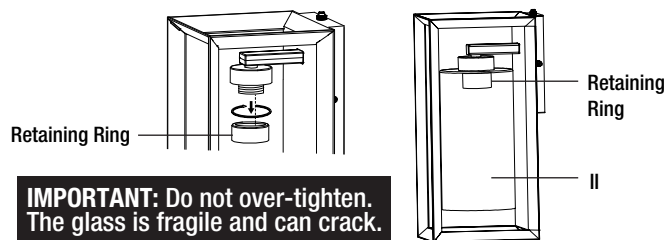
## 6 Mount the Fixture Body

Mount the fixture onto the mounting plate and use the two thumb screws (CC) with rubber washers (FF) to secure the fixture. Align the screws through the openings of the fixture and hand tighten to the mounting plate.



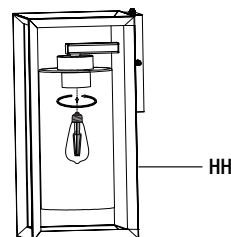
## 7 Install Glass Shade

Turn the retaining ring counter-clockwise to remove. Insert the glass shade (II) into the lamp holder and hold. Screw the retaining ring onto the lamp holder by turning it clockwise until the glass shade is securely in place.



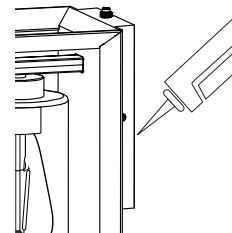
## 8 Install Light Bulb

Screw in provided LED light bulb (HH). Make sure you're firmly holding the housing while you do this.



## 9 Seal Fixture

Once fixture is secured apply a silicone sealant around the fixture and mounting surface to prevent water or moisture from entering into the fixture.



## 10 Turn Power On

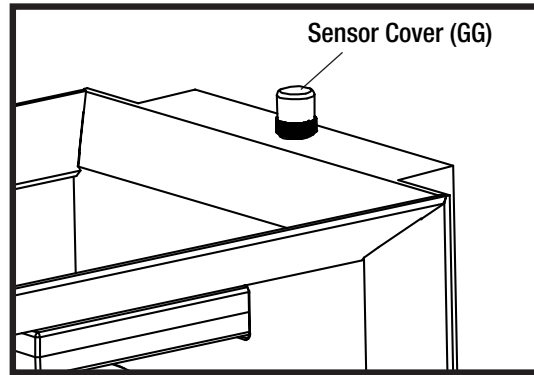
Turn on the power at the switch and fuse box or circuit breaker box.

# Dusk to Dawn

- The light will turn on at dusk.
- The light will remain on through the night until dawn. At dawn, the light will turn off.
- The light will remain off through the day until dusk.

**NOTE:** To make sure this function works properly, always keep the wall switch in the “ON” position (including daytime).

**NOTE:** A sensor cover (GG) is provided which can be used to block out light and bypass the sensor. This will keep the light continuous on and fixture can be controlled to turn on/off through the wall switch or a master photocell.



## Troubleshooting

If this fixture fails to operate properly, use the guide below to diagnose and correct the problem:

- Verify that power is turned on at switch and breaker.
- Verify that fixture is wired properly.
- Verify that line voltage is correct.
- Test if photocontrol works properly.

The photocontrol in this fixture is designed to turn on fixture at low light levels.

PROBLEM	POSSIBLE CAUSE	CORRECTIVE ACTION
1. Light does not come on after dark	<ol style="list-style-type: none"> <li>1. No power is being delivered to the fixture.</li> <li>2. Another light source is causing the Outdoor Lantern to think it is daylight.</li> <li>3. Wiring inside electrical box came loose.</li> <li>4. Ambient light levels too high.</li> </ol>	<ol style="list-style-type: none"> <li>1. Check that circuit breaker and/or wall switchpower is on.</li> <li>2. Turn off surrounding lights.</li> <li>3. Turn power off to the fixture and check supply wire for any loose wiring.</li> </ol>
2. Light stays on	<ol style="list-style-type: none"> <li>1. Sensor cover is placed on Dusk-to-Dawn sensor.</li> <li>2. Dusk-to-Dawn sensor is dirty.</li> </ol>	<ol style="list-style-type: none"> <li>1. Remove sensor cover from Dusk-to-Dawn sensor.</li> <li>2. Clean Dusk-to-Dawn sensor with a damp cloth.</li> </ol>
3. Outdoor Lantern cycles ON and OFF continuously	<ol style="list-style-type: none"> <li>1. Dusk-to-Dawn sensor is sensing reflected light from the Outdoor Lantern.</li> </ol>	<ol style="list-style-type: none"> <li>1. Ensure Outdoor Lantern is not in front of any reflective surfaces.</li> </ol>

***FEIT***  
ELECTRIC

MADE IN VIETNAM