

HARBY COFFEE TABLE

ASSEMBLY INSTRUCTIONS



PARTS AND FITTING PACKAGING DETAIL

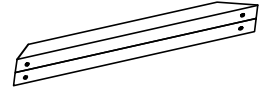
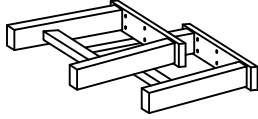
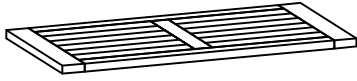
BOX #1

A. TABLE TOP 1PC

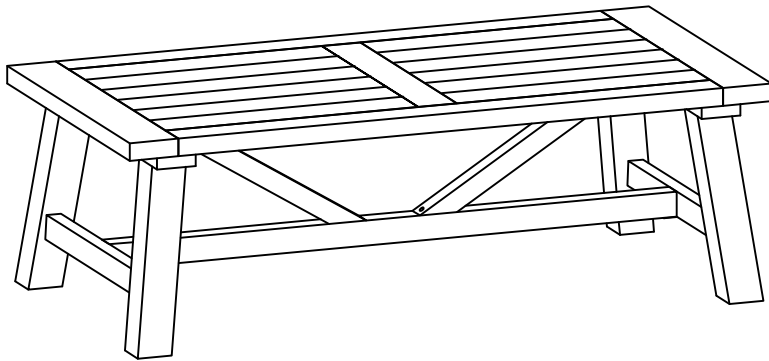
B. LEGS 2PCS

C. CENTER RAIL 1PC




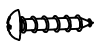
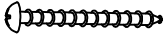

D. SUPPORT 2PCS
BRACE



HARBY COFFEE TABLE ASSEMBLED



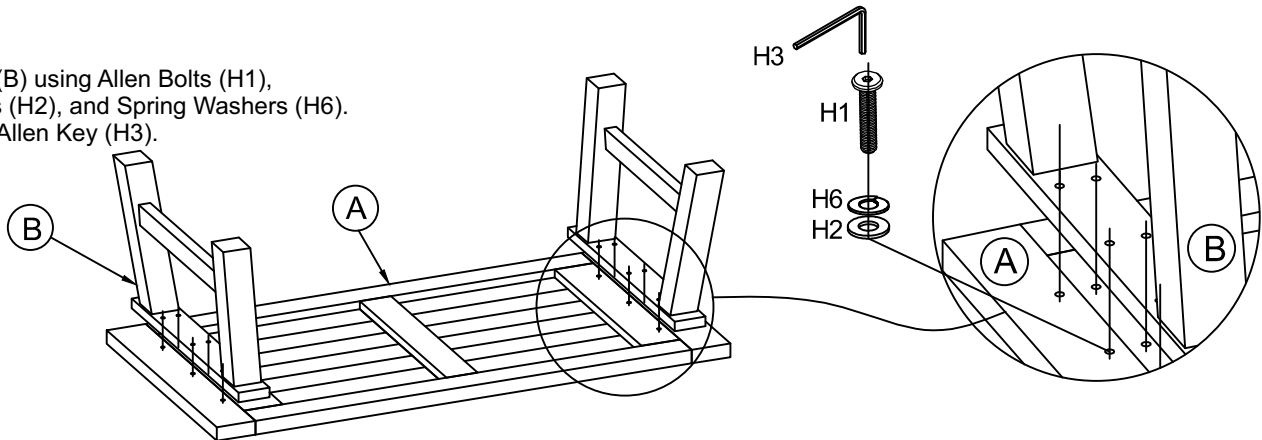
HARDWARE * PACKED IN BOX #1

H1	ALLEN BOLT 8 X 50mm	12 PCS	H2	FLAT WASHER M8	12 PCS
					
H3	ALLEN KEY M4	1 PC	H4	SCREW 4 X 20mm	4 PCS
					
H5	SCREW 4 X 40mm	4 PCS	H6	SPRING WASHER M8	12 PCS
					

YOUR BOX MAY CONTAIN EXTRA HARDWARE

STEP 1

Attach Legs (B) using Allen Bolts (H1), Flat Washers (H2), and Spring Washers (H6). Tighten with Allen Key (H3).



STEP 2

Following the illustration, attach Center Rail (C) to the Legs with Screws (H4). After securing the Center Rail, attach Support Braces (D) to the Table Top and Center Rail using Screws (H5). Screwdriver is not provided.

