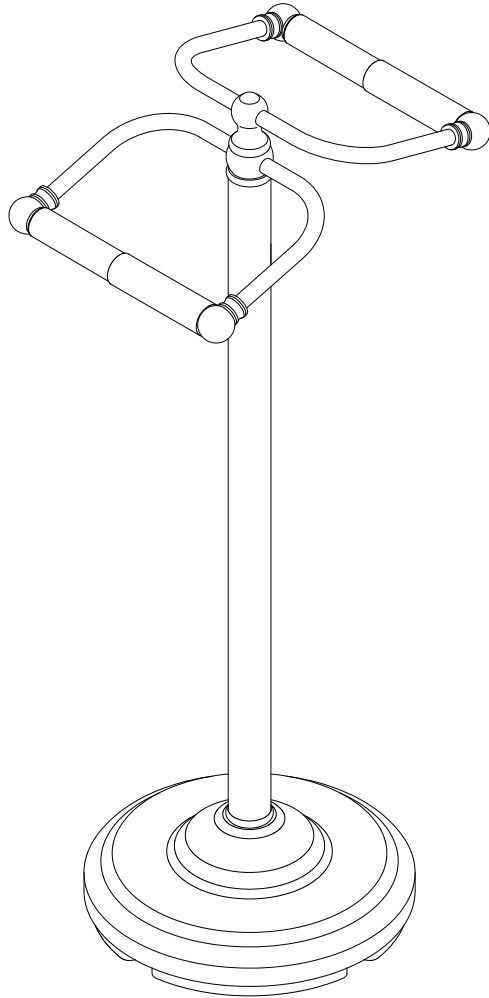


# KINGSTON

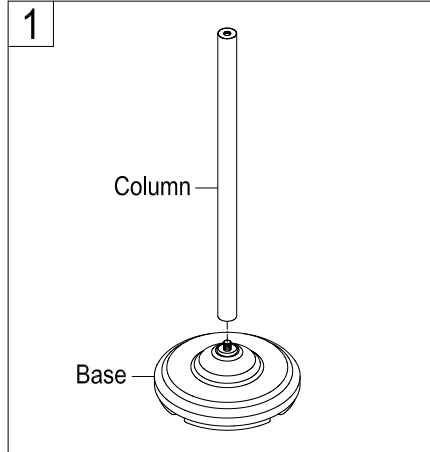
KITCHEN & BATH

## Double Toilet Roll Holder Installation

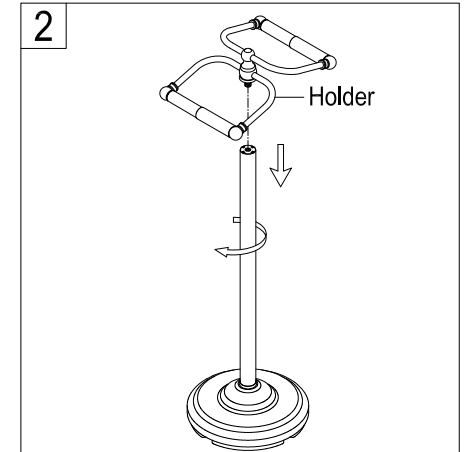


www.kingstonbrass.com  
TOLL-FREE CUSTOMER SERVICE: 1-877-2-KBRASS  
TECHNICAL SUPPORT E-mail: service@kingstonbrass.com  
12775 Reservoir Street, Chino, CA 91710

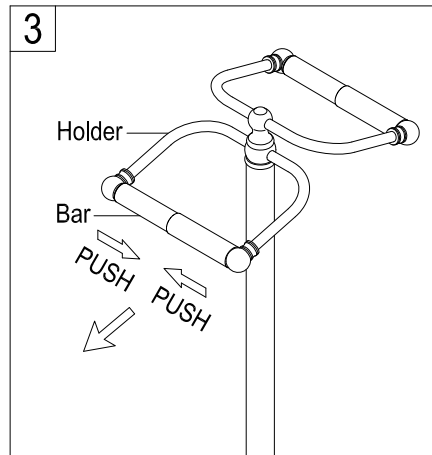
### TOOLS REQUIRED



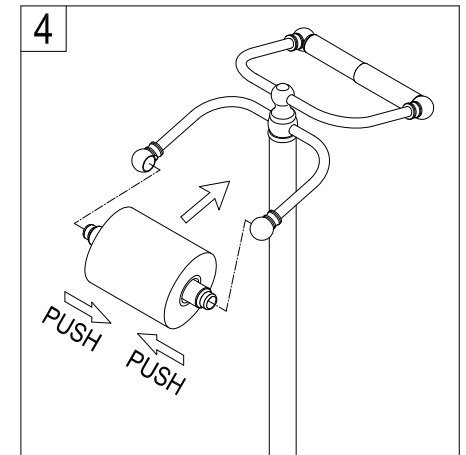
1. Put the base in a level space on ground. Thread one end of column into base tightly with clockwise direction.



2. Install paper holder assembly onto the free end of the column tightly in a clockwise direction.



3. Connect the bar by pushing toward center.



4. Slip the toilet paper into bar and attach the bar to paper holder.

### Cleaning

Clean with a damp cloth only.  
Avoid using metal or abrasive polishes.