

SINCE 1839

BRINLY

SINCE 1839

BRINLY

OWNER'S MANUAL

LAWN ROLLER

ROLLER MODELS:

PRC-242BH

PRC-242BH-A

PRT-362BH

PRT-362BH-A

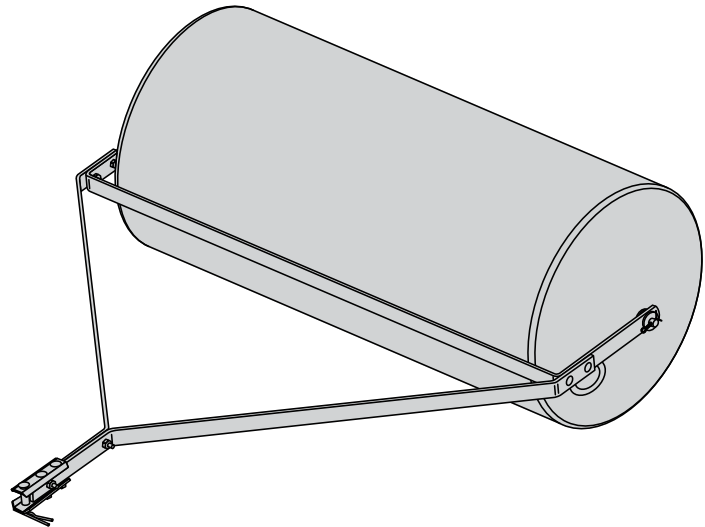
PRT-362SBH

PRT-362SBH-A

PRT-482SBH

PRT-482SBHC

PRT-482SBHC-A



- Safety
- Assembly
- Operation
- Repair Parts
- Maintenance

For use with Riders, Lawn
or Garden Tractors and ATV's

**PRC-242 BH Push version not shown.*

Call Customer Service, Toll-Free: 877-728-8224

Visit us on the web!
www.brinly.com

Important: This manual contains information for the safety of persons and property. Read it carefully before assembly and operation of the equipment!

INTRODUCTION AND SAFETY

CONGRATULATIONS on your new Brinly-Hardy purchase! This accessory has been designed, engineered and manufactured to give you the best possible dependability and performance.

Should you experience any problem you cannot easily remedy, please do not hesitate to contact our knowledgeable customer service department toll-free at 1-877-728-8224. We have competent, well trained technicians to help you with the assembly and use of your product.



CUSTOMER RESPONSIBILITIES

- Please read & retain this manual. The instructions will enable to assemble and maintain your product properly.
- Please carefully read and observe the SAFETY SECTION of this manual.
- Follow a regular schedule in maintaining and caring for your Brinly-Hardy product.

TABLE OF CONTENTS

Safety	2
PartS	3 - 5
Assembly	6 - 10

USE AND CARE

Specifications	11
Operation	11-12
Maintenance	12
Accessories	13
Warranty	14



Tools Required for Assembly:

- (x2) 1/2" Wrench
- (x2) 3/4" Wrench (*PRC-242 BH Only*)
- Slip Joint Pliers

SAFETY

RULES FOR SAFE OPERATION

- Know controls and how to stop safely, READ THE OWNER'S MANUAL before operating.
- Do not allow children to operate the vehicle, do not allow adults to operate without proper instruction or without having read the owner's manual.
- Do not carry passengers. Keep children and pets a safe distance away.
- Always wear substantial footwear. Do not wear loose fitting clothing. Do not wear loose fitting clothing that can get caught in moving parts.
- Keep your eyes and mind on your tractor / attachment and area being covered. Do not let other interests distract you.
- Stay alert for holes in the terrain and other hidden hazards.
- Do not drive close to creeks, ditches and public highways.
- Watch out for traffic when crossing or near roadways.
- When using any attachment, don't allow anyone near the vehicle while in operation.
- Keep the vehicle and attachment in good operating condition and keep safety devices in place.
- Keep all nuts, bolts and screws tight to be sure the equipment is in safe working condition.
- The vehicle and attachment should be stopped and inspected for damage after striking a foreign object. The damage should be repaired before restarting and operating the equipment.
- See tractor equipment owner's manual for safe operation of the equipment.



This symbol will help to point out important safety precautions throughout this manual. It means - **ATTENTION! BECOME ALERT!** Your safety is involved.

HARDWARE IDENTIFIER

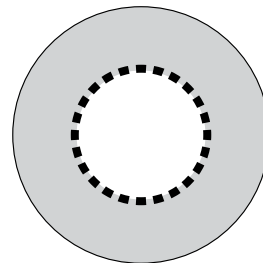
Illustrations on this page are to scale for faster identification of hardware during assembly.

DO NOT RETURN PRODUCT IF YOU ARE MISSING PARTS.
Please Call: 1 (877) 728-8224

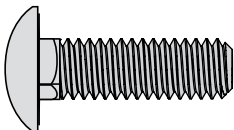
- ⑧ Nut; Nylon Lock, 5/16" (x8)
B-4786



- ⑦ Washer: Flat 5/8" (x4)
45M2121P



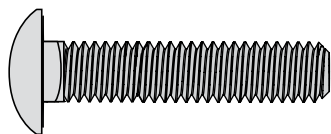
- ④ Carriage Bolt 5/16 x 1" (x4)
11M1016P



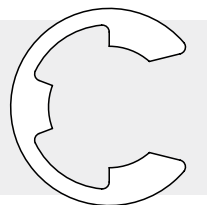
- ⑪ Cotter Pin; 3/16" x 1-1/2" (x2)
50M0624P



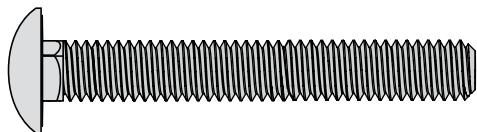
- ⑤ Carriage Bolt 5/16 x 1 1/2" (x2)
11M1024P



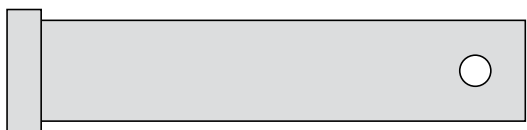
- or** E-Ring, 5/8" (x2) ...
F-577



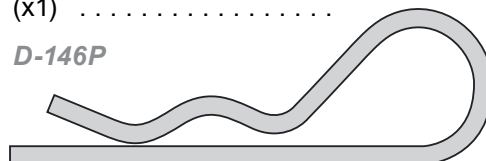
- ⑥ Carriage Bolt; 5/16 x 2 1/4" (x2)
11M1036P



- ⑬ Hitch Pin (x1)
B-3861

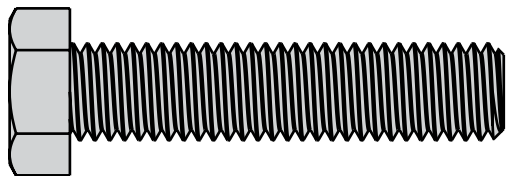


- ⑭ Hitch Pin Cotter (x1)
D-146P

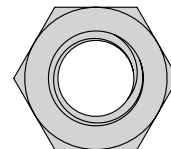


PARTS IN ADDITIONAL HARDWARE BAG (Only for PRC-242 BH)

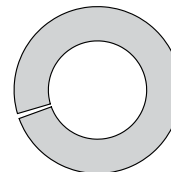
- ⑯ Bolt: Hex Head 1/2 x 2-1/4" (x1)
11M1636P



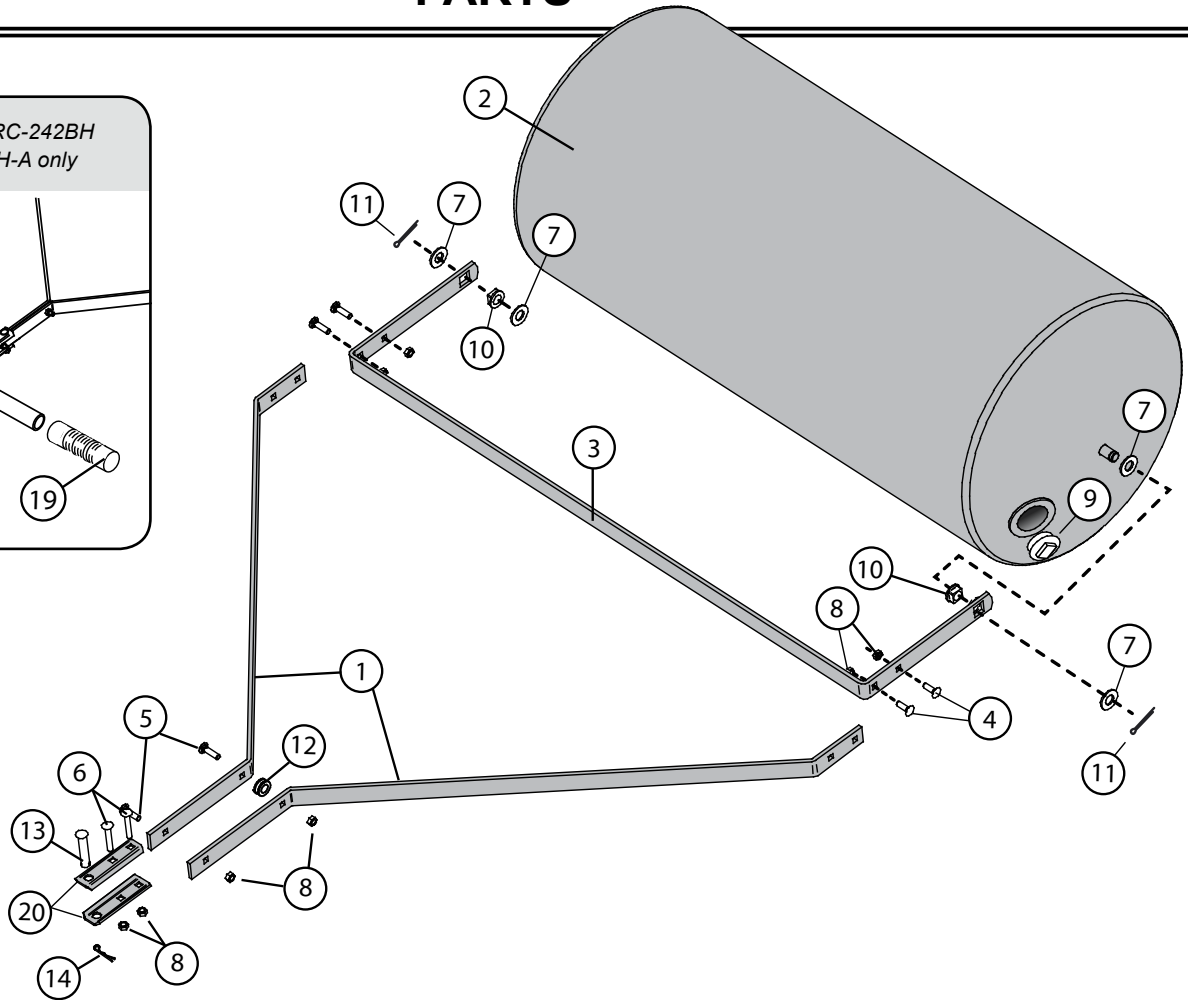
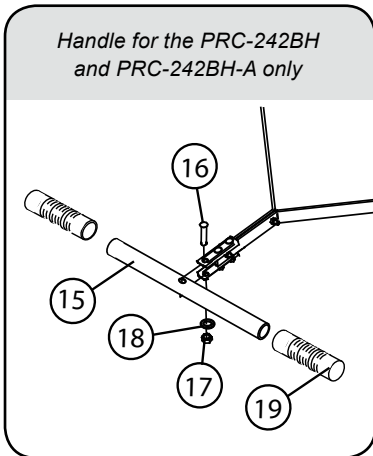
- ⑰ Nut: Hex 1/2" (x1)
30M1600P



- ⑱ Lock Washer 1/2" (x1)
40M1600P

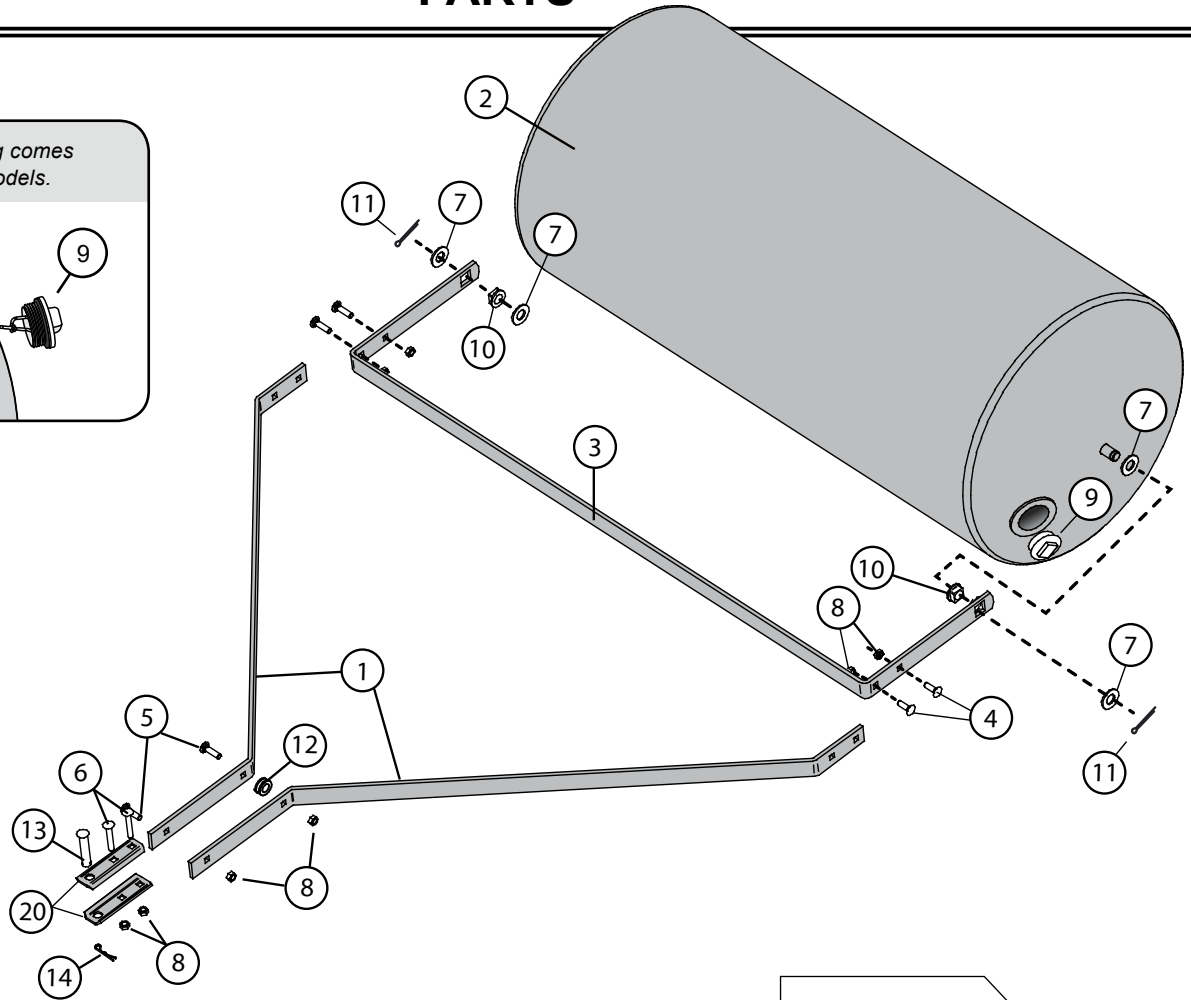
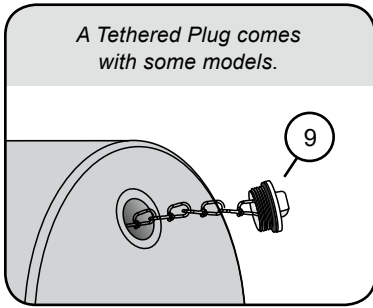


PARTS



Ref. #	Description	Qty.	PRC-242BH	PRC-242BH-A	PRT-362BH	PRT-362BH-A
1	Frame Extension Bar	2	B-3554-10	B-3554-10	B-6289-10	B-6289-10
2	Roller Drum Assembly	1	1020130	1020130	1020131	1020131
3	Scraper Bar	1	B-6291-10	B-6291-10	B-6272-10	B-6272-10
4	Carriage Bolt; 5/16" x 1"	4	11M1016P	11M1016P	11M1016P	11M1016P
5	Carriage Bolt; 5/16" x 1-1/2"	2	11M1024P	11M1024P	11M1024P	11M1024P
6	Carriage Bolt; 5/16" x 2-1/4"	2	11M1036P	11M1036P	11M1036P	11M1036P
7	Flat Washer; 5/8"	4	45M2121P	45M2121P	45M2121P	45M2121P
8	Nylon Lock Nut; 5/16"	8	B-4786	B-4786	B-4786	B-4786
9	Plug	1	1019261	1019524	1019261	1019524
10	Square Bearing	2	B-6270	B-6270	B-6270	B-6270
11	Cotter Pin; 3/16" x 1-1/2" or E-Ring; 5/8"	2	50M0624P F-577	50M0624P F-577	50M0624P F-577	50M0624P F-577
12	Frame Spacer	1	R-1141-01	R-1141-01	R-1141-01	R-1141-01
13	Hitch Pin	1	B-3861	B-3861	B-3861	B-3861
14	Hitch Pin Cotter	1	D-146P	D-146P	D-146P	D-146P
15	Handle	1	B-3556-10	B-3556-10	N/A	N/A
16	Hex Bolt; 1/2" x 2-1/4"	1	1M1636P	1M1636P	N/A	N/A
17	Hex Nut; 1/2"	1	30M1600P	30M1600P	N/A	N/A
18	Lock Washer; 1/2"	1	40M1600P	40M1600P	N/A	N/A
19	Grip	2	B-2579	B-2579	N/A	N/A
20	Clevis	2	R-892-10	R-892-10	R-892-10	R-892-10

PARTS



Ref. #	Description	Qty.			PRT-482SBH & PRT-482SBHC	
			PRT-362SBH	PRT-362SBH-A	PRT-482SBH & PRT-482SBHC	PRT-482SBHC-A
1	Frame Extension Bar	2	B-5357-10	B-5357-10	B-6290-10	B-6290-10
2	Roller Drum Assembly	1	1020132	1020132	1020133	1020133
3	Scraper Bar	1	B-6292-10	B-6292-10	B-6294-10	B-6294-10
4	5/16" x 1", Carriage Bolt	4	11M1016P	11M1016P	11M1016P	11M1016P
5	5/16" x 1-1/2", Carriage Bolt	2	11M1024P	11M1024P	11M1024P	11M1024P
6	5/16" x 2-1/4", Carriage Bolt	2	11M1036P	11M1036P	11M1036P	11M1036P
7	5/8" Flat Washer	4	45M2121P	45M2121P	45M2121P	45M2121P
8	5/16" Nylon Lock Nut	8	B-4786	B-4786	B-4786	B-4786
9	Plug	1	1019261	1019524	1019261	1019524
10	Square Bearing	2	B-6270	B-6270	B-6270	B-6270
11	Cotter Pin; 3/16" x 1-1/2" or E-Ring; 5/8"	2	50M0624P F-577	50M0624P F-577	50M0624P F-577	50M0624P F-577
12	Frame Spacer	1	R-1141-01	R-1141-01	R-1141-01	R-1141-01
13	Hitch Pin	1	B-3861	B-3861	B-3861	B-3861
14	Hitch Pin Cotter	1	D-146P	D-146P	D-146P	D-146P
20	Clevis	2	R-892-10	R-892-10	R-892-10	R-892-10

Installation Questions?
Missing Parts?
Replacement Parts?



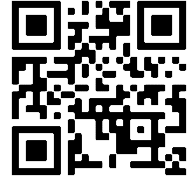
DON'T GO BACK TO THE STORE!

Please call our Customer Service Department,
Toll Free: 877-728-8224 or customerservice@brinly.com

ASSEMBLY

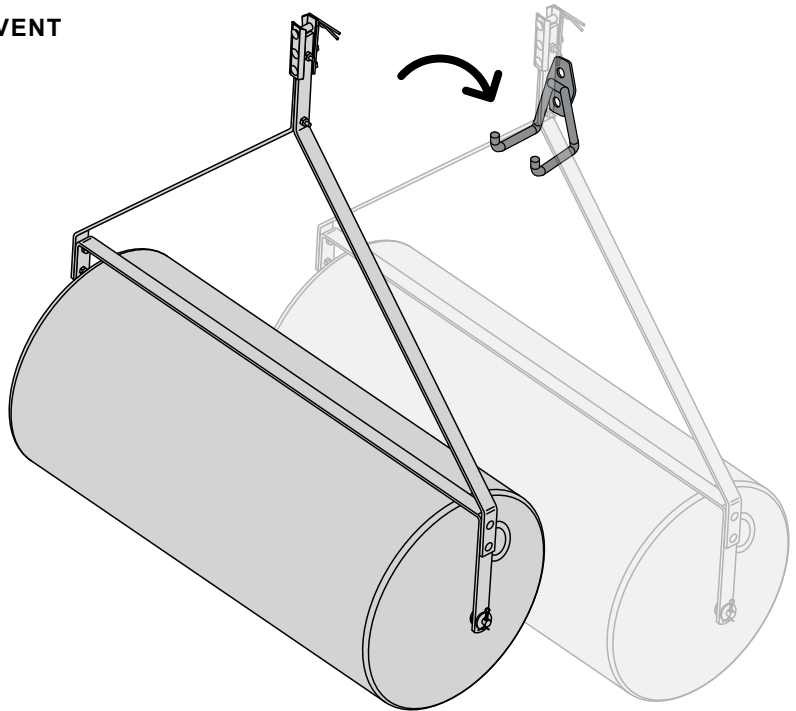
Assembly Tip

You can check out our step-by-step Lawn Roller assembly video by visiting our Brinly YouTube page, Brinly.com, or by scanning this QR code with your smartphone.



WE RECOMMEND THE FOLLOWING STEPS FOR THE CARE OF YOUR ROLLER TO PREVENT FLAT SPOTS:

- For longest life, drain the roller and leave the plug out.
If possible, hang the roller when not in use to prevent the potential occurrence of the drum developing a flat spot.
- If a flat spot develops during storage, first ensure the roller is empty. Next, leave it out in the sun to warm (*we recommend sitting it out on pavement for at least one day*).
Once this is complete, roll it around to reduce the flat area.



If you have questions, are missing parts or need replacement parts, don't go back to the store! Please find your product serial number and model number, then contact our Customer Service department:



In North America and Canada call Toll-Free: **877-728-8224**



Chat online: **www.brinly.com**



Email: **customerservice@brinly.com**



ASSEMBLY

Step 1

Hardware Panel A

Add a 5/8" flat washer (7) to the Roller Drum (2) as illustrated.

Slide a square bearing (10) into the large square hole at the end of the Scraper Bar (3) and add to the Roller Drum.

Add another 5/8" flat washer (7).

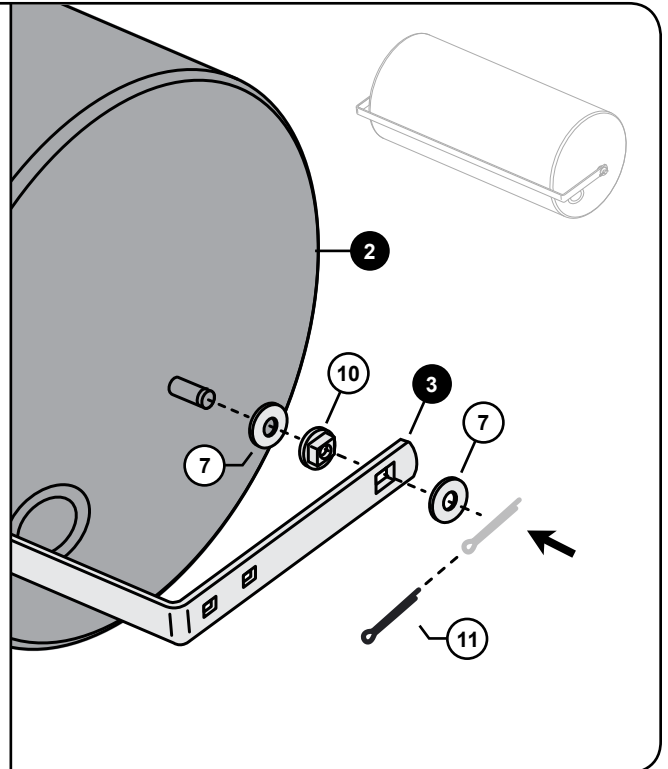
Secure everything in place by sliding a 3/16 x 1-1/2" Cotter Pin (11) into the small hole at the end of the roller drum (2). **



Use pliers to bend the pin ends into a "T", locking everything in place.



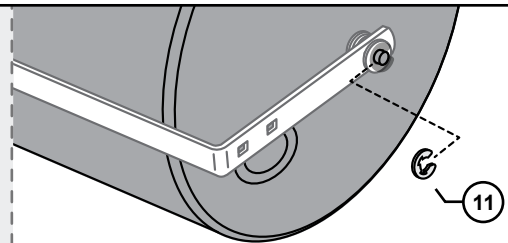
Repeat this step on the other end of the drum.



NOTE: If there is not a small hole and **instead you find an indented slot along the end of your roller axle**, your roller was designed for an E-ring closure.



The E-ring will slide into the slot and snap into place.



Step 2

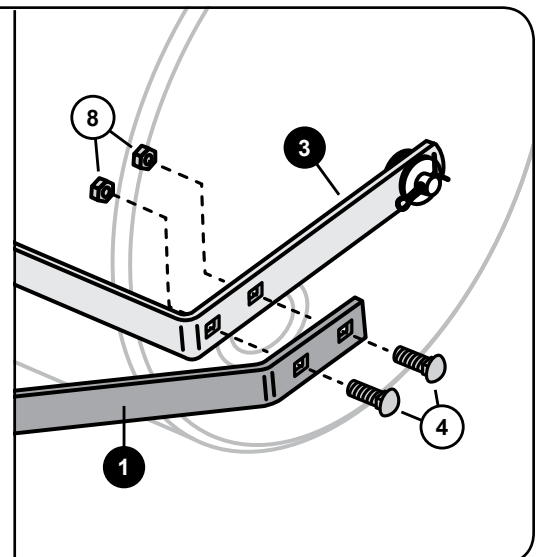
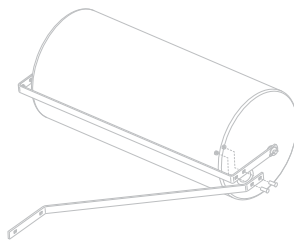
Hardware Panel B

Align the Frame Extension Bar (1) as illustrated.

From the outside, run two 5/16 x 1" Carriage Bolts (4) through the Extension Bar (1) and Scraper Bar (3) as illustrated.

Secure everything in place with two 5/16" Nylon Lock Nuts (8).

Repeat this step on the other end of the drum.




ASSEMBLY

NOTE: Do not tighten the lock nuts added on this step completely (*until Assembly Step 4-A is complete*).

Step 3

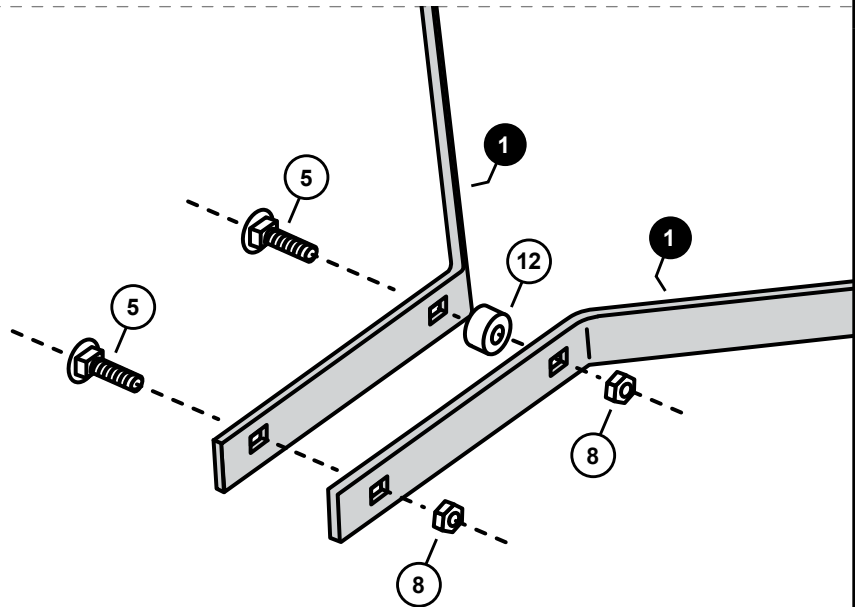
Connecting the Frame Extension Bars

 Hardware Panel C

Center the Spacer (12) between the second hole of the Extension Bars (1) and run a 5/16" Carriage Bolt (5) through.


Loosely add a 5/16" Lock Nut (8).

Add the second 5/16" Carriage bolt to the Extension Bars (1) and secure with the additional 5/16" Lock Nut (8).



Step 4

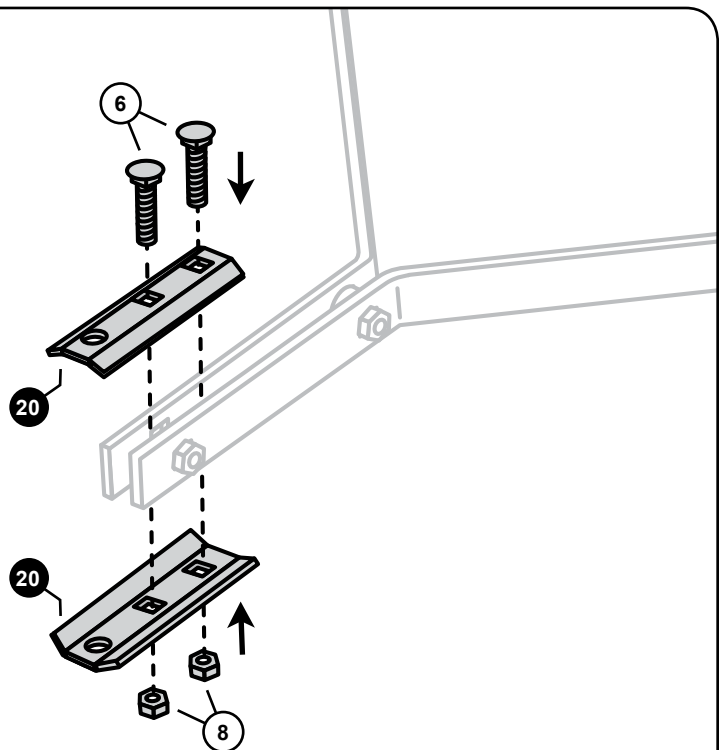
Attaching the Clevis

 Hardware Panel D

Align the Clevis plates (20) as illustrated.

NOTE: The two bolts that will be added on this step need to straddle the Carriage Bolt at the very end of the extension bars.

Run two 5/16 x 2-1/4" Carriage Bolts (6) through the Clevis Plates (20). Secure in place with two 5/16" Nylon Lock Nuts (8).



ASSEMBLY


If you are assembling PRC-242BH or PRC-242BH-A:

Skip Step 5 and continue to Assembly Step 6



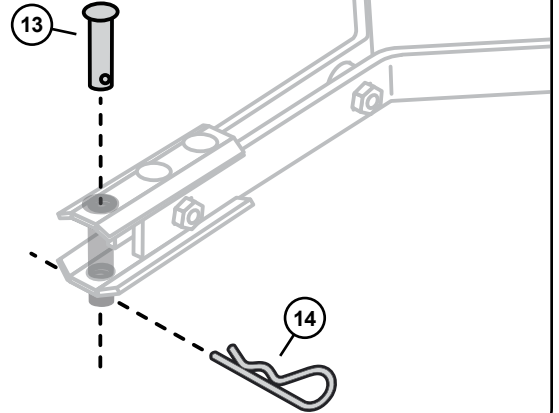
PRT-362 BH, PRT-362S BH & PRT-482S BH: Attaching the Clevis

Step 5

 Hardware Panel D

Add the hitch pin (13) through remaining openings of the Clevis (20) and secure with a Hitch Pin Cotter (14).


Skip Step 6 and continue to Assembly Step 7.



PRC-242 BH: Attaching the Handle

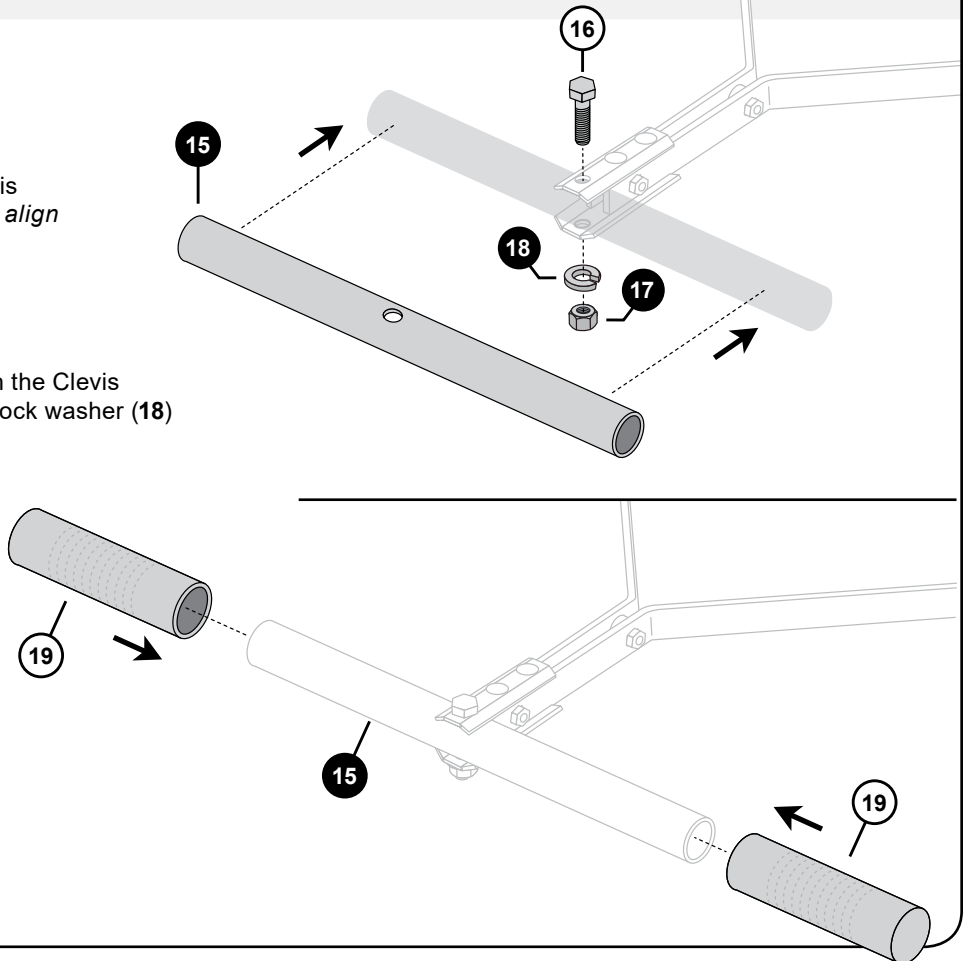
Step 6

Slide the Handle (15) between the Clevis plates as illustrated. *NOTE: Be sure to align the openings of the clevis and handle.*

 Hardware Bag

Run a 1/2 x 2-1/4" Hex Bolt (16) through the Clevis plates and handle. Secure with a 1/2" lock washer (18) and a 1/2" lock nut (17).

Slide the grips (19) over the ends of the handle (15).



ASSEMBLY

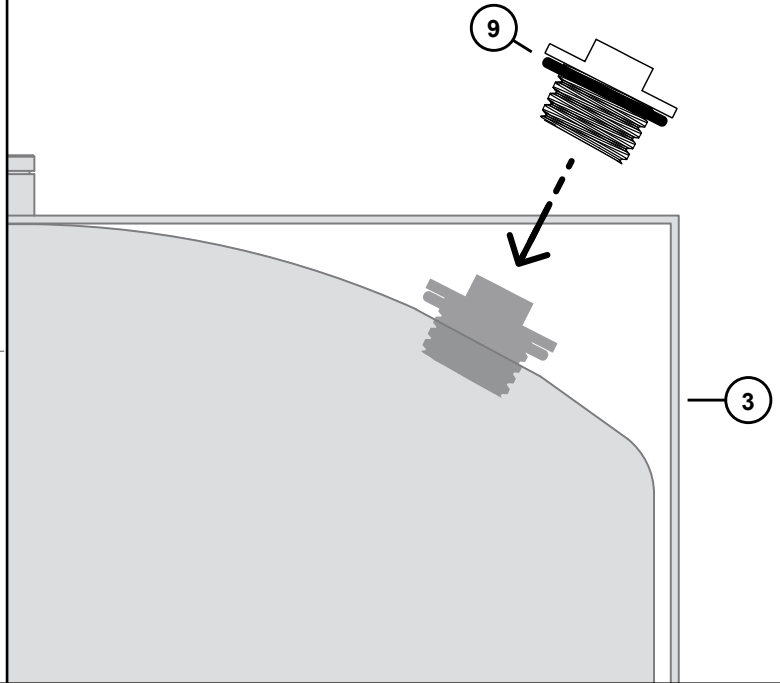
Step 7

Adding the Roller Plug

When installing the plug (9) please note the plug has an o-ring, ensure o-ring properly seats against the roller. *A portion of the plug will extend from the roller, however, it will not interfere with the scraper bar (3).*

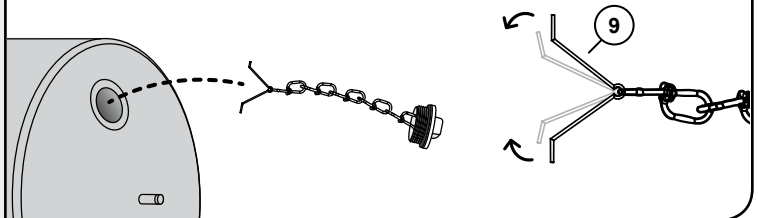
Hand tighten as far as possible, if the plug is leaking, ensure o-ring is not bulging outside of the plug.

NOTE: A wrench around the plug handle can be used to further tighten if necessary.



ADDITIONAL NOTE:

Some models come with a tethered plug. *This plug can be attached by squeezing the tethered spring. Next insert the plug into roller, rotating the plug in place.*

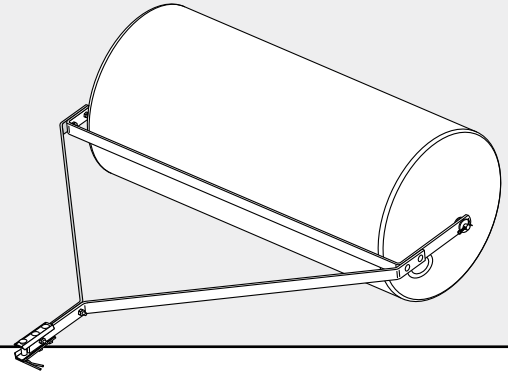


Assembly is complete.

USE AND CARE

MODELS:

PRC-242BH	PRT-362SBH
PRC-242BH-A	PRT-362SBH-A
PRT-362BH	PRT-482SBH
PRT-362BH-A	PRT-482SBHC
	PRT-482SBHC-A



SPECIFICATIONS

Best Speed for
Quality Results 3 mph

PRC-242BH (-A)

Working Width 24"
Max. Drum
Capacity 28 gallons

PRT-362BH (-A)

Working Width 36"
Max. Drum
Capacity 76 gallons

PRT-362SBH (-A)

Working Width 36"
Max. Drum
Capacity 42 gallons

PRT-482SBH (C & C-A)

Working Width 48"
Max. Drum
Capacity 54 gallons

INSTALLING THE ROLLER

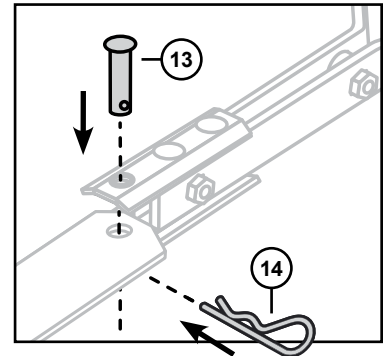
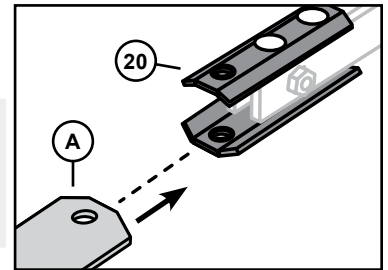
PRT-362BH, PRT-362SBH and PRT-482SBH



CAUTION: AVOID INJURY!

Keep body parts away from under
Drawbar and Bed.

1. Park towing vehicle safely using the parking brake (See *towing vehicle operator's manual*).
2. Align Cart Clevis (20) with towing vehicle hitch plate.
3. Install the hitch pin (13) through the Clevis (20) and secure with a Hitch Pin Cotter (14).



REMOVING THE ROLLER

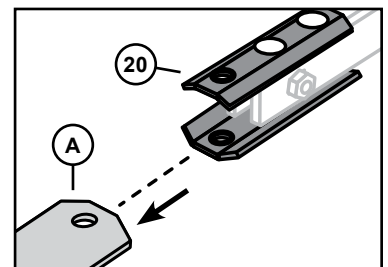
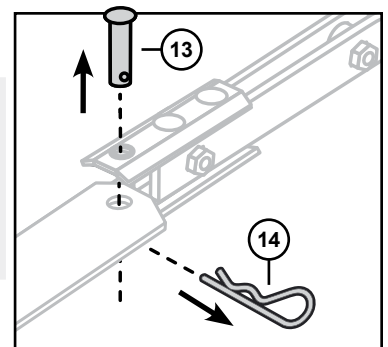


CAUTION: AVOID INJURY!

Keep body parts away from under
Drawbar. Do not attempt to disconnect
Cart from towing vehicle with weight
in the Bed.

1. Park towing vehicle safely and set the parking brake (See *towing vehicle operator's manual*).
2. Remove Hairpin Cotter (14) and Hitch Pin (13) from Clevis. Push Cart away from the towing vehicle.
3. Reinstall Hitch Pin (13) and Hairpin Cotter (14) to Clevis (20) for storage.

NOTE: Emptying the roller after each use
will reduce the occurrence of flat spots.



USE AND CARE

OPERATION



CAUTION! Do not overload your Tractor / Rider. Roller fully loaded with water weighs:

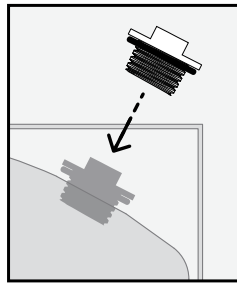
PRC-242BH & PRC-242BH-A = **270 lbs**

PRT-362BH & PRT-362BH-A = **690 lbs**

PRT-362SBH & PRT-362SBH-A = **390 lbs**

PRT-482SBH, PRT-482SBHC
& PRT-482SBHC-A = **485 lbs**

- Refer to tractor manual to determine proper towing capacity of your Tractor / Rider.
- Fill the roller with amount of water recommended for your tractor / rider. Screw in the plug and tighten securely.
- The plug has an o-ring to create a seal and prevents the drum contents from leaking out.
- For longest life, drain the roller, leave the plug out, and if possible, hang the roller when not in use to prevent possibility of developing a flat spot.
- If a flat spot develops on the roller during storage, ensure roller is empty then leave out in the sun to warm and roll around to reduce flat area.
- *Please note that sand may be used in place of water with no risk of freezing.*
- Ground condition is vital to good leveling. Soil should be moist, but not muddy.
- Refer to your Tractor or Riding Mower Owner's manual for proper towing capacity and safe operation of your towing equipment. Towing / Stopping distances will be greatly affected by added weight of roller.



MAINTENANCE



- The key to years of trouble-free service is to keep your Lawn Roller clean and dry.
- Occasionally check all moving parts for free movement and, if necessary, lubricate with oil.
- Should rust develop, sand lightly and then paint area with enamel.
- Periodically check all fasteners for tightness.



TRACTOR / RIDING MOWER SPEED

Rollers yield the best results when ground conditions are correct, and equipment is operating at **less than 3 mph**.

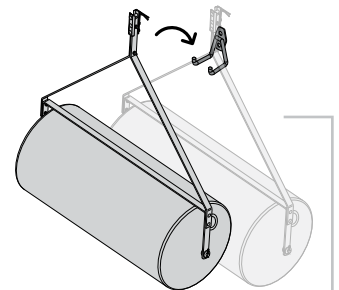
CALIBRATING YOUR TRACTOR TO 3 MPH:

Measure a distance of 20 feet on a flat, level surface. Adjust tractor throttle and select a gear to cover this distance in 4.5 seconds.

We recommend the following steps for the care of your Roller to prevent flat spots:

For longest life, drain the roller and leave the plug out.

If possible, hang the roller when not in use to prevent the potential occurrence of the drum developing a flat spot.



If a flat spot develops during storage, first ensure the roller is empty.

Next, leave it out in the sun to warm (*we recommend sitting it out on pavement for at least one day*).

Once this is complete, roll it around to reduce the flat area.

USE AND CARE

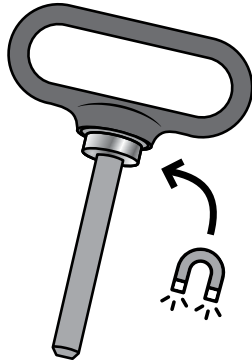
OPTIONAL ACCESSORIES

MAGNETIC HITCH PIN MHPK-12BH

This quick-connect magnetic hitch pin can replace a regular cotter pin for an extra-strong, convenient upgrade.



- Diameter: 1/2"
- Pin Length: 3"



SERVICE



QUALITY CONTINUES WITH QUALITY SERVICE

If you have installation questions, are missing parts or need replacement parts, don't go back to the store!

Please find your product serial number and model number, then contact our Customer Service department:



In North America and Canada call
Toll-Free: **877-728-8224**



Chat online: **www.brinly.com**



Email: **customerservice@brinly.com**

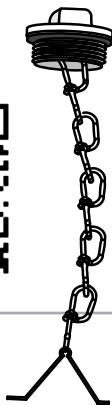
STANDARD PLUG 1019261

This is our standard plug, compatible with all the roller models.



TETHERED PLUG 1019524

The tethered plug can be attached, compatible with all roller models.



ONLINE

Additional info and videos are available on our website (www.brinly.com) OR scan one of the following QR codes:

PRC-242BH
and PRC-242BH-A



PRT-362BH
and PRT-362BH-A



PRT-362SBH
and PRT-362SBH-A



PRT-482SBH,
PRT-482SBHC
and PRT-482SBHC-A



NOTE:
Additional accessories are also available in our Parts Store online: shop.brinly.com



MANUFACTURER'S LIMITED WARRANTY
ROLLERS

The limited warranty set forth below is given by Brinly-Hardy Company with respect to new merchandise purchased and used in the United States (its possessions and territories) and Canada.

Brinly-Hardy Company warrants the products listed below against defects in material and workmanship, and will at its option, repair or replace, free of charge, any part found to be defective in materials or workmanship. This limited warranty shall only apply if this product has been assembled, operated, and maintained in accordance with the Operator's manual furnished with the product, and has not been subject to misuse, abuse, commercial use, neglect, accident, improper maintenance, alteration, vandalism, theft, fire, water, or damage because of other peril or natural disaster.

Parts found to be defective within the warranty period will be replaced at our expense. Our obligation under this warranty is expressly limited to the replacement or repair, at our option, of parts found to be defective in material and workmanship.

HOW TO OBTAIN SERVICE: Warranty parts replacements are available, only with proof of purchase, through our Customer Service Department. Call 877-728-8224.

This limited warranty does not provide coverage in the following cases:

- a. Routine maintenance items such as lubricants & filters.
- b. Normal deterioration of exterior finish due to use or exposure.
- c. Transportation and/or labor charges.
- d. The warranty does not include commercial and/or rental use.

No implied warranty, including any implied warranty of merchantability of fitness for a particular purpose, applies after the applicable period of express written warranty above as to the part as identified below. No other express warranty whether written or oral, except as mentioned above, given by any person or entity, including a dealer or retailer, with respect to any product, shall bind Brinly-Hardy Co. During the period of the warranty, the exclusive remedy is repair or replacement of the product as set forth above.

The provisions as set forth in this warranty provide the sole and exclusive remedy arising from the sale. Brinly-Hardy Co. shall not be liable for incidental or consequential loss or damage including, without limitation, expenses incurred for substitute or replacement lawn care services or for rental expenses to temporarily replace a warranted product.

Some states do not allow the exclusion or limitation of incidental or consequential damages, or limitations on how long an implied warranty lasts, so the above exclusions or limitations may not apply to you.

During the warranty period, the exclusive remedy is replacement of the part. In no event shall recovery of any kind be greater than the amount of the purchase price of the product sold. Alteration of safety features of the product shall void this warranty. You assume the risk and liability for loss, damage, or injury to you and your property and/or to others and their property arising out of the misuse or inability

to use this product. **NOTE:** *This limited warranty shall not extend to anyone other than the original purchaser or to the person for whom it was purchased as a gift.*

This limited warranty lasts as long you own your product purchased from an authorized seller. **Coverage terminates once you sell or otherwise transfer the product.**

This limited warranty does not cover any purchaser other than the original purchaser of the product, nor does it cover any product purchased from an unauthorized third-party. If you are not the original purchaser of this product, your product is not covered by our limited warranty and you take the product "AS IS" and "with all faults."

We may require proof of purchase from you demonstrating that you are the original purchaser of the product, purchased the product from an authorized dealer, and are eligible to make a valid claim under this limited warranty.

How state law relates to this warranty: This limited warranty gives you specific legal rights, and you may also have other rights which vary from state to state.

IMPORTANT:

The Warranty period stated below begins with the proof of purchase. Without the proof of purchase, the Warranty period begins from the date of manufacture determined by the serial number manufacturing date. All parts replaced under warranty will be considered as part of the original product, and any warranty on the replaced parts will expire coincident with the original product warranty.

WARRANTY PERIOD:

See applicable parts listed below.

Standard / Residential Use:

- Steel Frame & Steel Parts 2 years
- Roller Drum 2 years

All other normal wear parts or component failures will be covered on this product for a period of 90 days.

If this equipment is being used in a commercial application and / or for multiple properties, the warranty is 90 days after purchase for all parts.