

ORDER BY PART NUMBER

## ILLUSTRATED PARTS

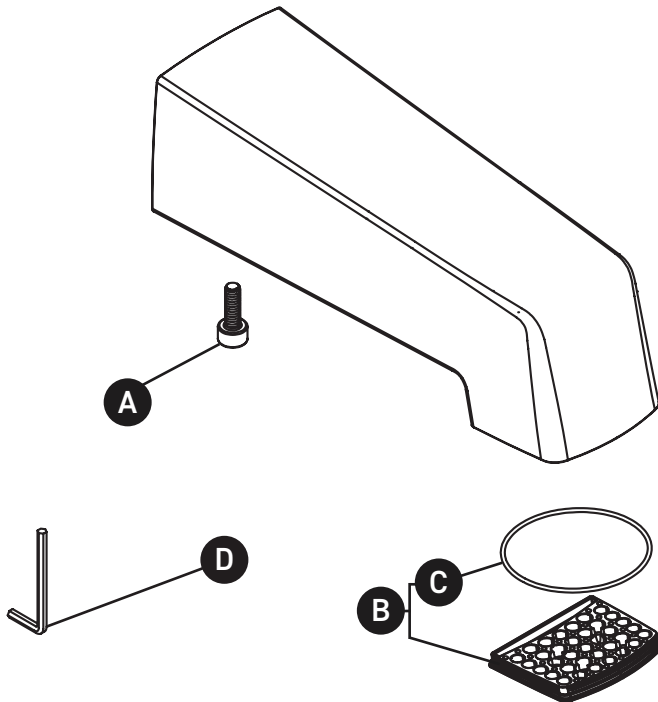
**890**

Wall Mount Tub Spout

ID	Kit Number	Finish
A	162-160	N/A
B	6516	N/A
C	213-468	N/A
D	509-050	N/A

**\*Finish Determined by Suffix**

Finish	Description
C	Chrome



For warranty or additional information, contact:

U.S.A.  
[houseofrohl.com/support](http://houseofrohl.com/support)  
 1-800-777-9762

QUEBEC / MARITIMES / WESTERN CANADA  
 QUÉBEC / MARITIMES / OUEST CANADIEN  
 QUEBEC / MARITIMOS / CANADA OCCIDENTAL  
[houseofrohl.ca/support](http://houseofrohl.ca/support)  
 1-866-473-8442

ONTARIO  
[houseofrohl.ca/support](http://houseofrohl.ca/support)  
 1-800-287-5354

VEUILLEZ EFFECTUER VOTRE COMMANDE  
PAR NO DE RÉFÉRENCE

## ILLUSTRATIONS DES PIÈCES

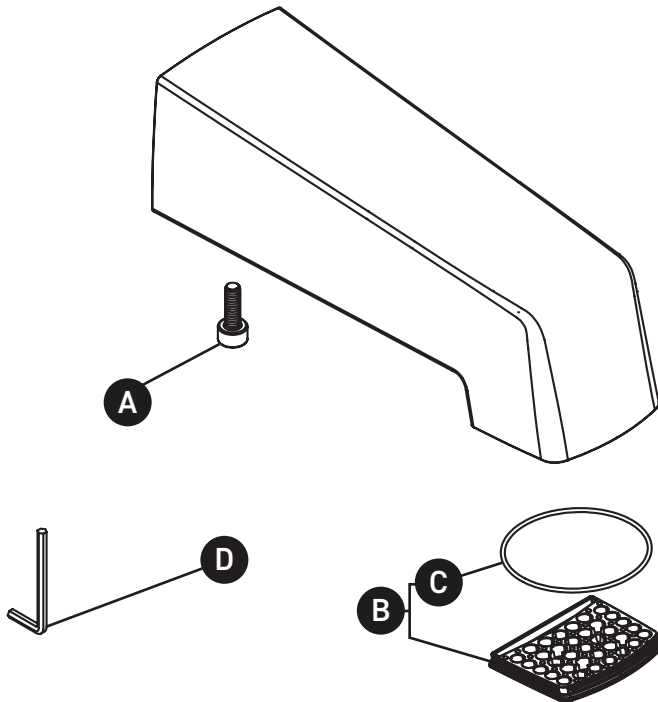
**890**

Bec de bain mural

ID	Référence du kit	Finition
A	162-160	N/A
B	6516	N/A
C	213-468	N/A
D	509-050	N/A

\*Finition déterminée par le Suffixe

Finition	Description
C	Chrome



For warranty or additional information, contact:

U.S.A.  
houseofrohl.com/support  
1-800-777-9762

QUEBEC / MARITIMES / WESTERN CANADA  
QUÉBEC / MARITIMES / OUEST CANADIEN  
QUEBEC / MARITIMOS / CANADA OCCIDENTAL  
houseofrohl.ca/support  
1-866-473-8442

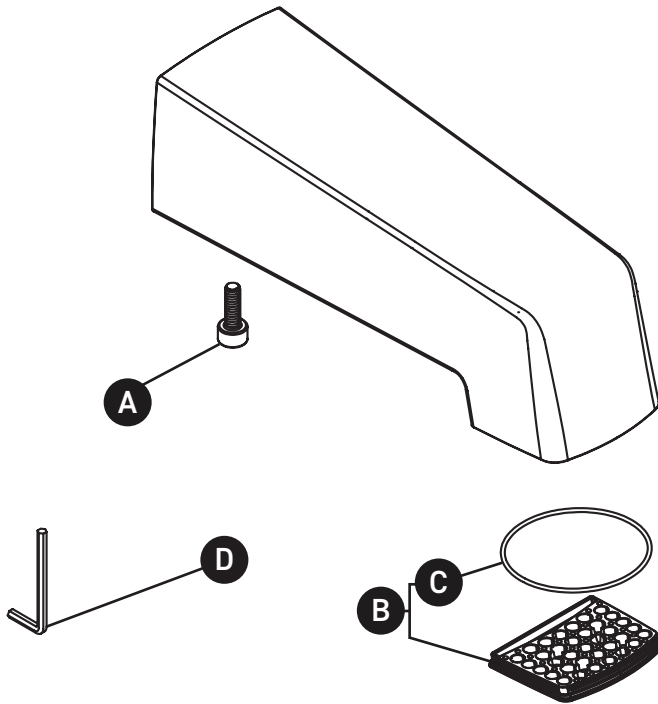
ONTARIO  
houseofrohl.ca/support  
1-800-287-5354

PEDIR POR NÚMERO DE REFERENCIA

## PIEZAS ILUSTRADAS

**890**

Caño de bañera de montaje en pared



ID	Referencia del kit	Acabado
A	162-160	N/A
B	6516	N/A
C	213-468	N/A
D	509-050	N/A

\*Acabado determinado por el sufijo

Acabado	Descripción
C	Cromo

For warranty or additional information, contact:

U.S.A.  
houseofrohl.com/support  
1-800-777-9762

QUEBEC / MARITIMES / WESTERN CANADA  
QUÉBEC / MARITIMES / OUEST CANADIEN  
QUEBEC / MARITIMOS / CANADA OCCIDENTAL  
houseofrohl.ca/support  
1-866-473-8442

ONTARIO  
houseofrohl.ca/support  
1-800-287-5354