

NOTES: UNLESS OTHERWISE SPECIFIED

1. FOR GENERAL SERIES SPECIFICATIONS, SEE SD45-0000.

2. MATERIAL SPECIFICATIONS:  
 FRONT BODY: COPPER ALLOY  
 INSULATOR: TEFLON PER ASTM D1710  
 ALL OTHER METAL PARTS: BRASS PER ASTM B16

3. FINISH SPECIFICATIONS:  
 BODY: .000015 MIN. GOLD PER ASTM B488 OVER .000080 MIN. NICKEL PER AMS-QQN-290.  
 CONTACT: .000030 MIN. GOLD PER ASTM B488 OVER .000080 MIN. NICKEL PER AMS-QQN-290.  
 CAP: .000005 MIN. GOLD PER ASTM B488 OVER .000080 MIN. NICKEL PER AMS-QQN-290.

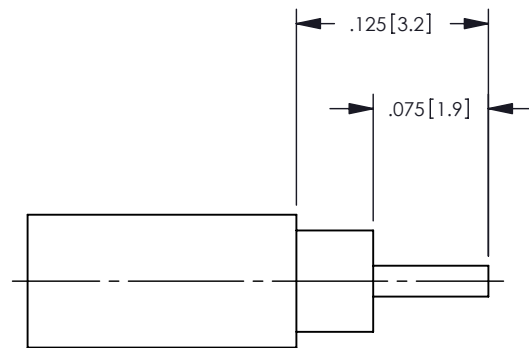
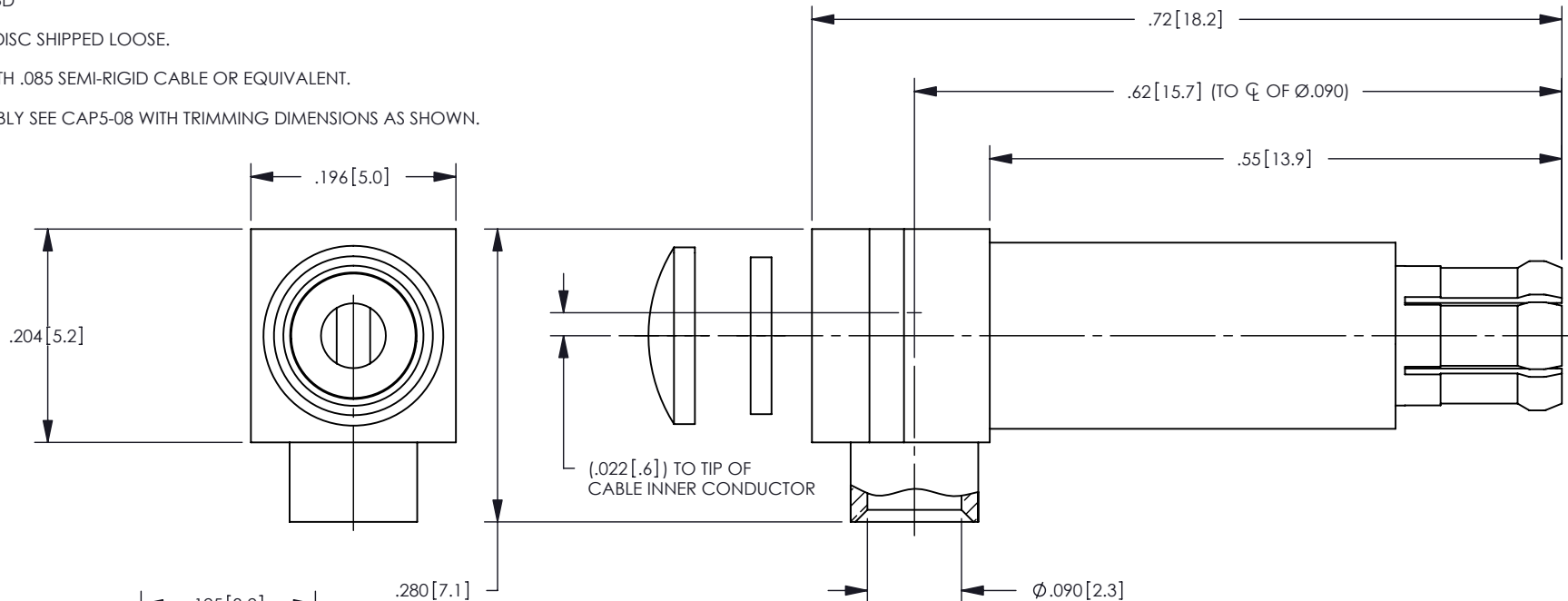
4. ELECTRICAL SPECIFICATIONS:  
 FREQUENCY RANGE: DC TO 6GHz  
 VSRW: TBD

5. CAP, AND DISC SHIPPED LOOSE.

6. FOR USE WITH .085 SEMI-RIGID CABLE OR EQUIVALENT.

7. FOR ASSEMBLY SEE CAP5-08 WITH TRIMMING DIMENSIONS AS SHOWN.

REV	DESCRIPTION	BY DATE	APPD
A	ER6192	PSM 01/23/08	DCgm



CABLE TRIMMING DIMENSIONS

CATALOG P/N: 452-500-0853H

PER ASME Y14.5M-1994 UNLESS OTHERWISE SPECIFIED: DIMENSIONS ARE IN INCHES [MM] TOLERANCES: DECIMAL: XX ± .01 [0.3] .XXX ± .005 [0.13] .XXXX ± .XXXX ANGLES: ± 2° SCALE: 6:1				Winchester Electronics Corporation 62 Barnes Industrial Road North Wallingford, Connecticut 06492	
CUSTOMER SALES DRAWING			MCX EXTENDED RIGHT ANGLE PLUG		
DRAWN	DATE	APPROVED	DATE	A SD452-500-0853H SHT 1 OF 1	REV A
JED	03/16/01	JWH	03/20/01		
APPROVED	DATE	APPROVED	DATE		
JEM	03/20/01	WPM	01/24/08		