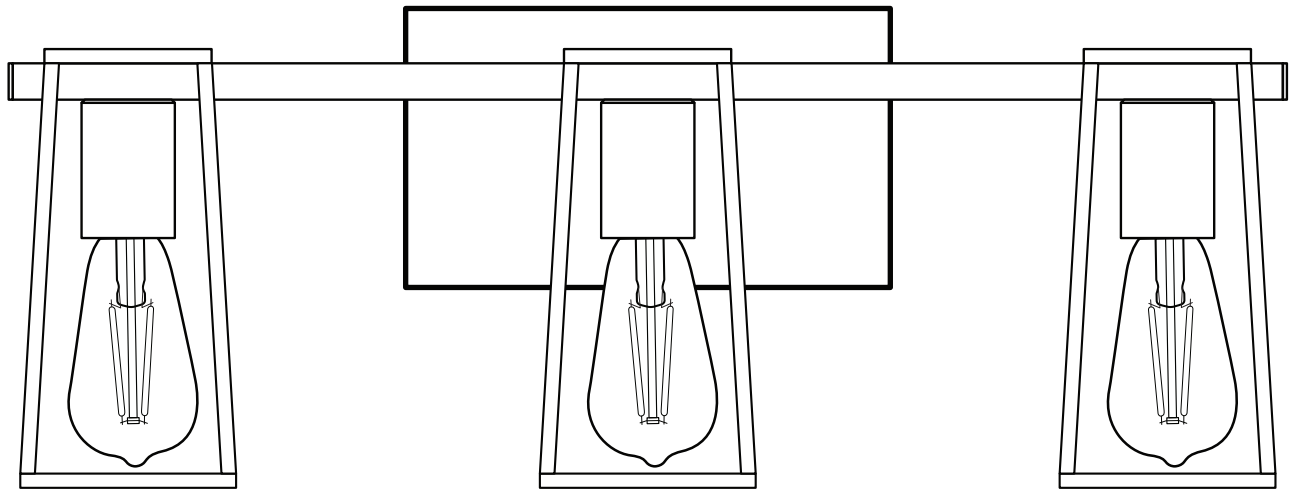


## 3 LIGHT LED VANITY FIXTURE

### IMPORTANT SAFETY INSTRUCTIONS AND INSTALLATION GUIDE



**READ BEFORE INSTALLATION**  
SAVE THESE INSTRUCTIONS



We appreciate the trust and confidence you have placed in Feit Electric through the purchase of this product. We strive to continually create quality products designed to enhance your home. Visit us online to see our full line of products available for your home improvement needs. Thank you for choosing Feit Electric.

# Table of Contents

Safety Information	2
FCC Statement	2
Warranty	2
Pre-Assembly	3
Installation	4

## Safety Information

For your safety, always remember to:

- Ground the fixture to avoid potential electric shock and to ensure reliable starting.
- Double-check all connections to be sure they are tight and correct.
- Wear rubber soled shoes and work on a sturdy wooden ladder.
- Account for small parts and destroy packing material, as these may be hazardous to children.
- This fixture is designed for use in a circuit protected by a fuse or circuit breaker.

### Product Specifications

- 120VAC, 60Hz, 3xMax. 150W type A incandescent lamp or Max. 42W listed SBCFL or Max. 42W listed SBLED.
- Dimmable
- Suitable for Damp Locations



**WARNING: RISK OF SHOCK.** House electric current can cause painful shock or serious injury unless handled properly.



**WARNING: RISK OF CUTS.** Some metal parts in the fixture may have sharp edges. To prevent cuts and scrapes, wear gloves when handling the parts.



**CAUTION: Turn off the main power at the circuit breaker before installing the fixture, in order to prevent possible shock.**

## FCC STATEMENT

### Supplier's Declaration of Conformity:

47 CFR § 2.1077 Compliance Information

**Responsible Party:** Feit Electric Company

4901 Gregg Road, Pico Rivera, CA 90660, USA

**Unique Identifier:** VAN3L/BLK, ITM./ART. 1717996

**NOTICE:** All electrical connections must be in accordance with local and national standards, National Electric Code (N.E.C.) in the US and Canadian Electrical Code (C.E.C.) in Canada. If you are unfamiliar with proper electrical wiring connections obtain the services of a qualified electrician.

This device complies with part 15 of the FCC Rules. Operation is subject to the following two conditions: (1) This device may not cause harmful interference, and (2) this device must accept any interference received, including interference that may cause undesired operation. Note: This equipment has been tested and found to comply with the limits for a Class B digital device, pursuant to part 15 of the FCC Rules. These limits are designed to provide reasonable protection against harmful interference in a residential installation. This equipment generates, uses and can radiate radio frequency energy and, if not installed and used in accordance with the instructions, may cause harmful interference to radio communications. However, there is no guarantee that interference will not occur in a particular installation. If this equipment does cause harmful interference to radio or television reception, which can be determined by turning the equipment off and on, the user is encouraged to try to correct the interference by one or more of the following measures: Reorient or relocate the receiving antenna. Increase the separation between the equipment and receiver. Connect the equipment into an outlet on a circuit different from that to which the receiver is connected. Consult the dealer or an experienced radio/TV technician for help. Any changes or modifications not expressly approved by the manufacturer could void the user's authority to operate the equipment.

## Limited Warranty

This product is warranted to be free from defects in workmanship and materials for up to 3 years from date of purchase. If the product fails within the warranty period, please contact Feit Electric at [info@feit.com](mailto:info@feit.com), visit [feit.com/contact-us](http://feit.com/contact-us) or call 1-866-326-BULB (2852) for instructions on replacement or refund. REPLACEMENT OR REFUND IS YOUR SOLE REMEDY. EXCEPT TO THE EXTENT PROHIBITED BY APPLICABLE LAW, ANY IMPLIED WARRANTIES ARE LIMITED IN DURATION TO THE DURATION OF THIS WARRANTY. LIABILITY FOR INCIDENTAL OR CONSEQUENTIAL DAMAGES IS HEREBY EXPRESSLY EXCLUDED. Some states and provinces do not allow the exclusion of incidental or consequential damages, so the above limitation or exclusion may not apply to you. This warranty gives you specific legal rights, and you may also have other rights which vary from state to state or province to province.

## TOOLS REQUIRED

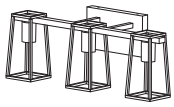


Phillips  
Screwdriver

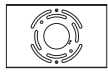
## HARDWARE INCLUDED



**NOTE:** Hardware not shown to actual size.



AA



BB



CC



DD



EE

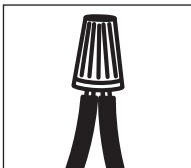


FF

Part	Description	Quantity
AA	Fixture Body	1
BB	Mounting Plate	1
CC	Junction Box Mounting Screws	2
DD	Fixture Mounting Screws	4
EE	Wire Connectors	3
FF	Light Bulbs	3

### IMPORTANT WIRING INFORMATION

Always follow the recommended wire strip lengths and wiring combinations when connecting wires.



Hold stripped ends next to each other and align frayed strands (do not twist wires).

Push wires firmly into wire nut. Using your fingers, twist wire nut clockwise until tight. Check for tightness by pulling wires.



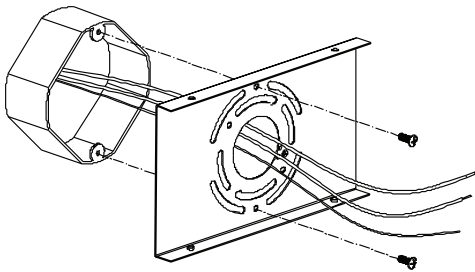
**NOTE:** Remove the fixture and the mounting package from the box and make sure that no parts are missing by referencing the illustrations on the installation instructions. If any parts are missing or damaged, do not attempt to install or operate this product.

## 1 Turning Off the Power

Turn off the power at the switch and fuse or circuit breaker box.

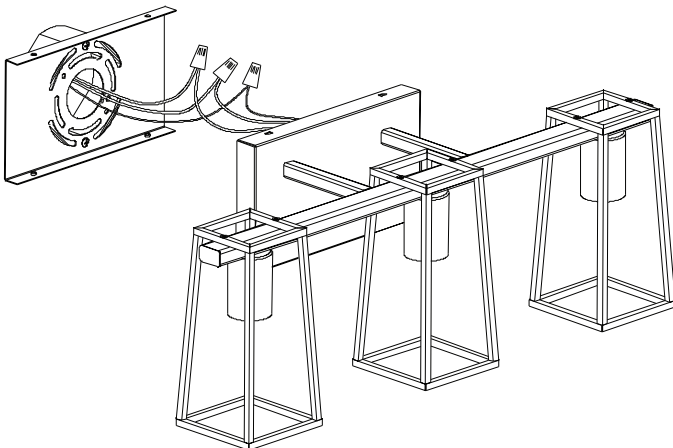
## 2 Installing the Mounting Plate to the Junction Box

Attach the mounting plate (BB) to the junction box by inserting the two junction box mounting screws (CC) through slots in the mounting plate (BB).



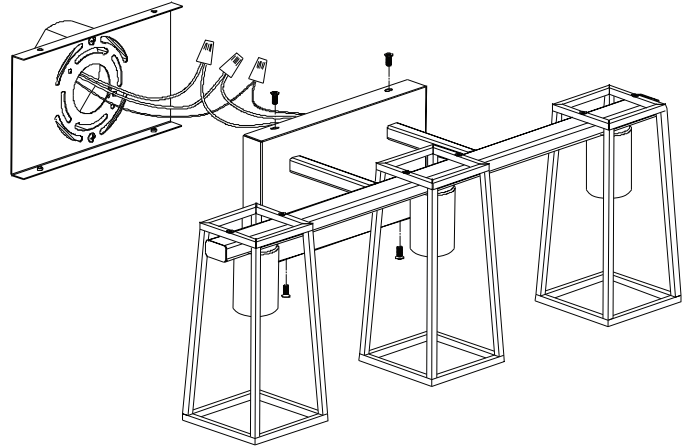
## 3 Connecting the Fixture

Use the wire connectors (EE) provided to connect the green wire from the fixture to the green or bare copper ground (house) wire. If the junction box is grounded, you may fasten the fixture ground wire directly to the junction box. Connect the white fixture wire(s) to the neutral supply wire. Connect the black fixture wire(s) to the power supply wire.



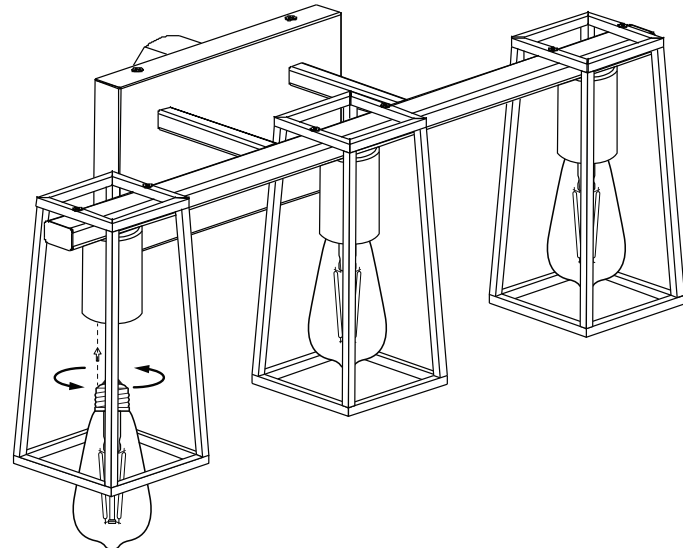
## 4 Installing the Fixture

Adjust the fixture mounting screws (DD). Tighten nuts after adjustment has been made. Insert the fixture mounting screws (DD) through the fixture housing holes.



## 5 Install Light Bulbs

Screw in provided LED light bulbs. Make sure you're firmly holding the housing while you do this.



## 6 Turn the Power On

Turn on the power at the switch and fuse or circuit breaker box.