

PRODUCT SPECIFICATIONS

Stainless Steel 33" x 21" x 8" Single Bowl Floor Mount Service Sink Package. Sink is manufactured from 16 gauge 304 Stainless Steel with a Buffed Satin finish, Center drain placement, and Full spray sides and bottom with Bottom only pads.

Material:	304 Stainless Steel
Finish:	Buffed Satin
Gauge:	16
Sound Deadening:	Full spray sides and bottom with Bottom only pads
Number of Bowls:	1
Sink Dimensions:	33" x 21" x 8"
Bowl 1 Dimensions:	28" x 16" x 8"
Drain Size:	4-9/16" (116mm)
Drain Location:	Center



Included with Product: EFS3321 sink, one LK43 drain

A Century of Tradition and Quality. For more than 100 years, Elkay has been making innovative products and providing exceptional customer care. We take pride in offering plumbing products that make life easier, inspire change and leave the world a better place.

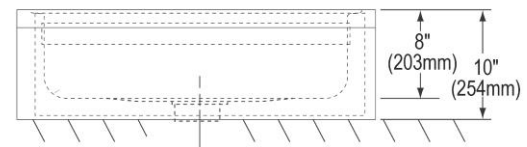
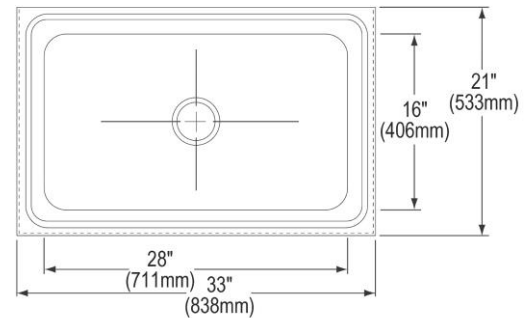


Product Compliance: ASME A112.19.3/CSA B45.4
Accessory: ASME A112.18.2/CSA B125.2



Sinks are listed by IAPMO[®] as meeting the applicable requirements of the Uniform Plumbing Code[®], International Plumbing Code[®], and National Plumbing Code of Canada.

[Clean and Care Manual \(PDF\)](#)
[Installation Instructions \(PDF\) - 74180166](#)
[Warranty \(PDF\)](#)



PART: _____ QTY: _____
PROJECT: _____
CONTACT: _____
DATE: _____
NOTES: _____
APPROVAL: _____

In keeping with our policy of continuing product improvement, Elkay reserves the right to change product specifications without notice. Please visit elkay.com for the most current version of Elkay product specification sheets. This specification describes an Elkay product with design, quality, and functional benefits to the user. When making a comparison of other producers' offerings, be certain these features are not overlooked.

Included Accessories		
LK43	Drain Fitting 5-1/2" Stainless Steel Dome / Flat Grid Strainer Spec Sheet (PDF)	

In keeping with our policy of continuing product improvement, Elkay reserves the right to change product specifications without notice. Please visit elkay.com for the most current version of Elkay product specification sheets. This specification describes an Elkay product with design, quality, and functional benefits to the user. When making a comparison of other producers' offerings, be certain these features are not overlooked.