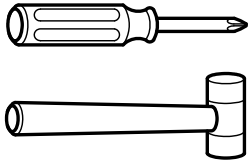
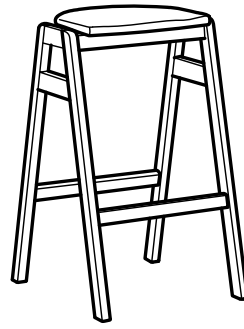


ASSEMBLY  
INSTRUCTIONS

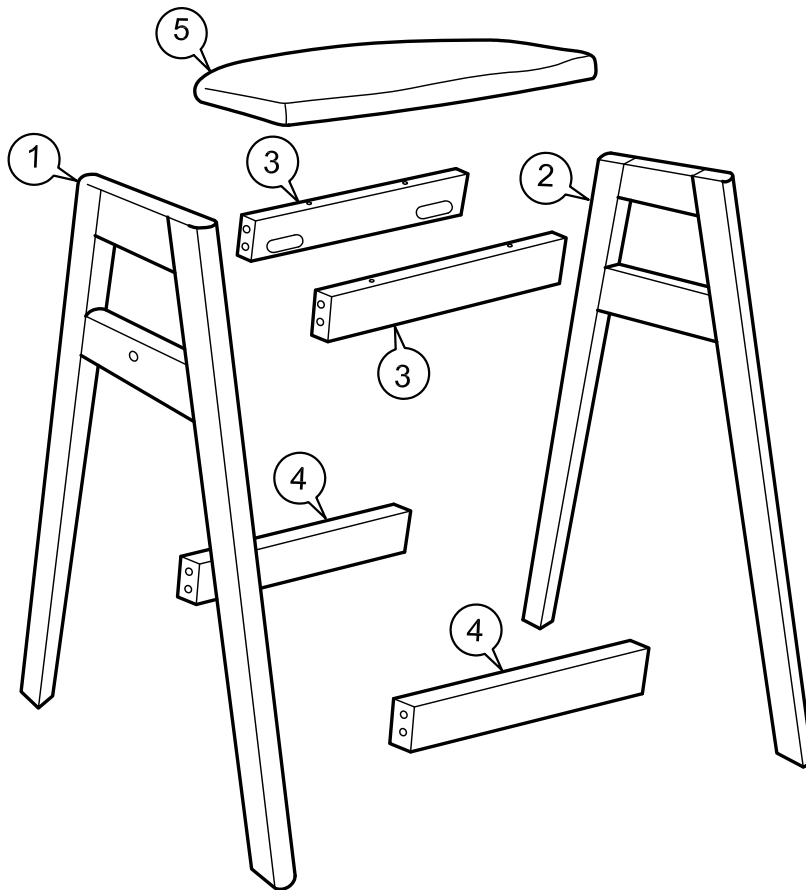
Item : Morreau Bar Stool



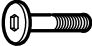

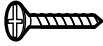



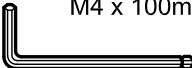
Not Provided

DO NOT fully tighten any of the bolts until the product is completely assembled, then put on a flat surface to make sure the product is level and then fully tighten all the bolts.

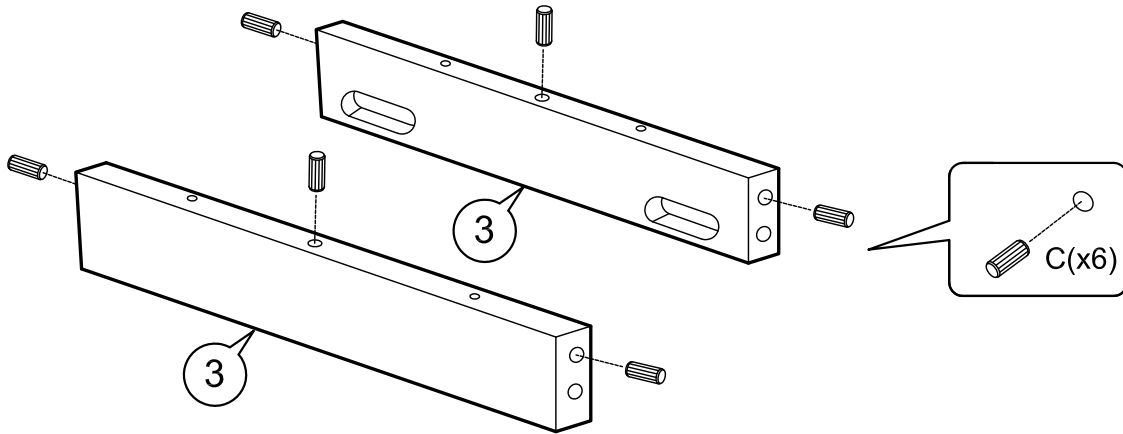
Part List



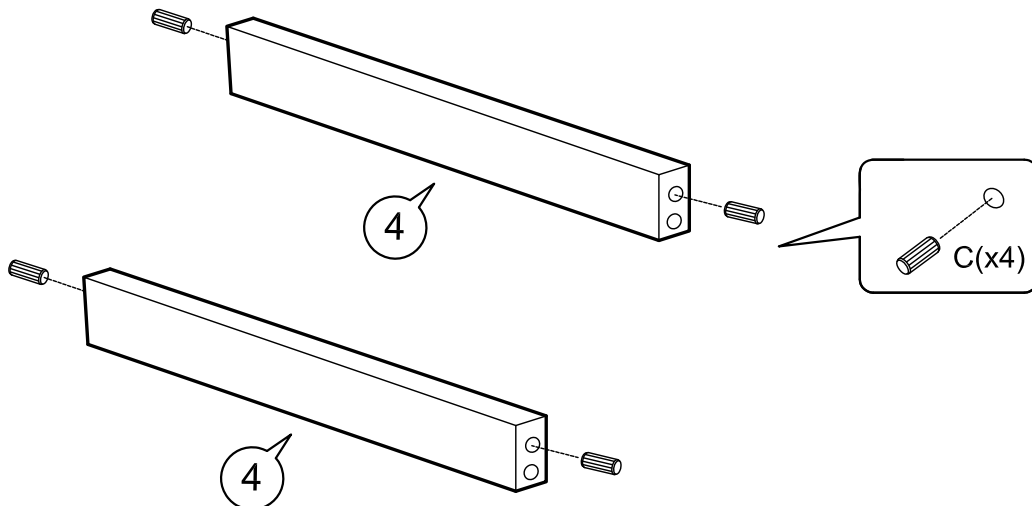
HARDWARE LIST :

|   |   |   |   |   |  |   |   |
|---|---|---|---|---|--|---|---|
| A | M6 x 50mm = 16  | C | M8 x 30mm = 20  | E | M4 x 32mm = 8  | G | = 4   |
|   |  |   |  |   |  |   |  |
| B | 5/16" = 16  | D | = 4   | F | M4 x 100mm = 1   |   |   |
|   |  |   |  |   |  |   |   |

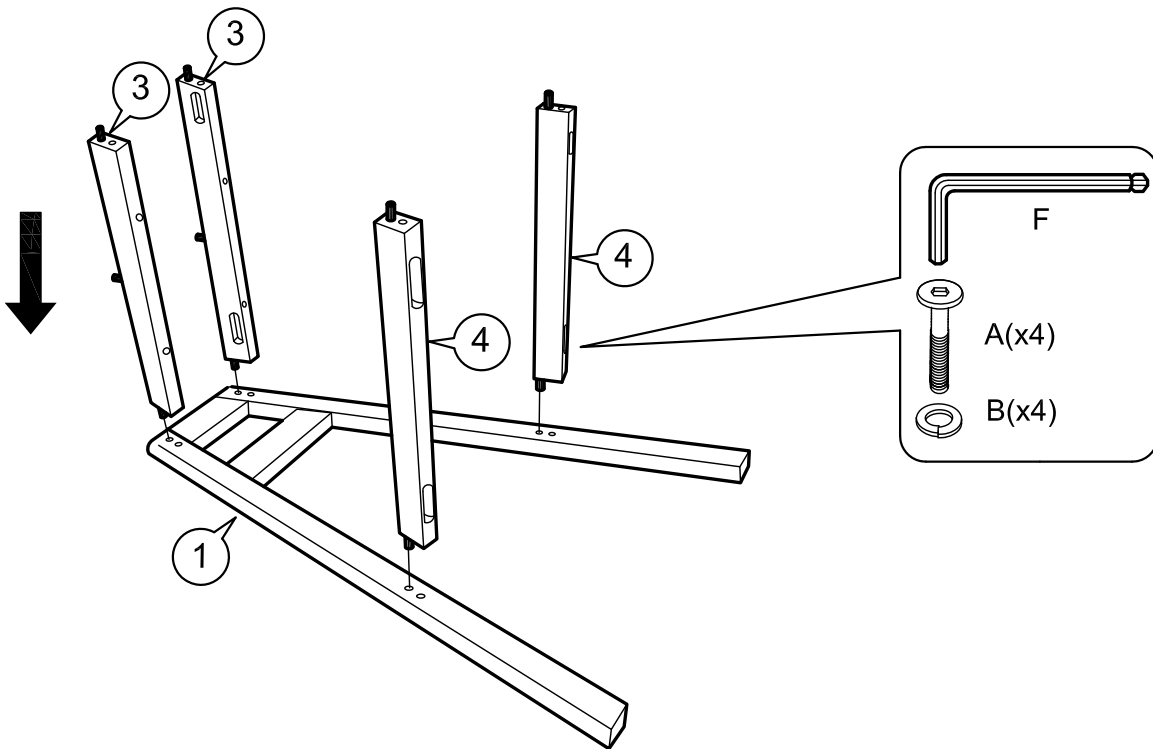
1



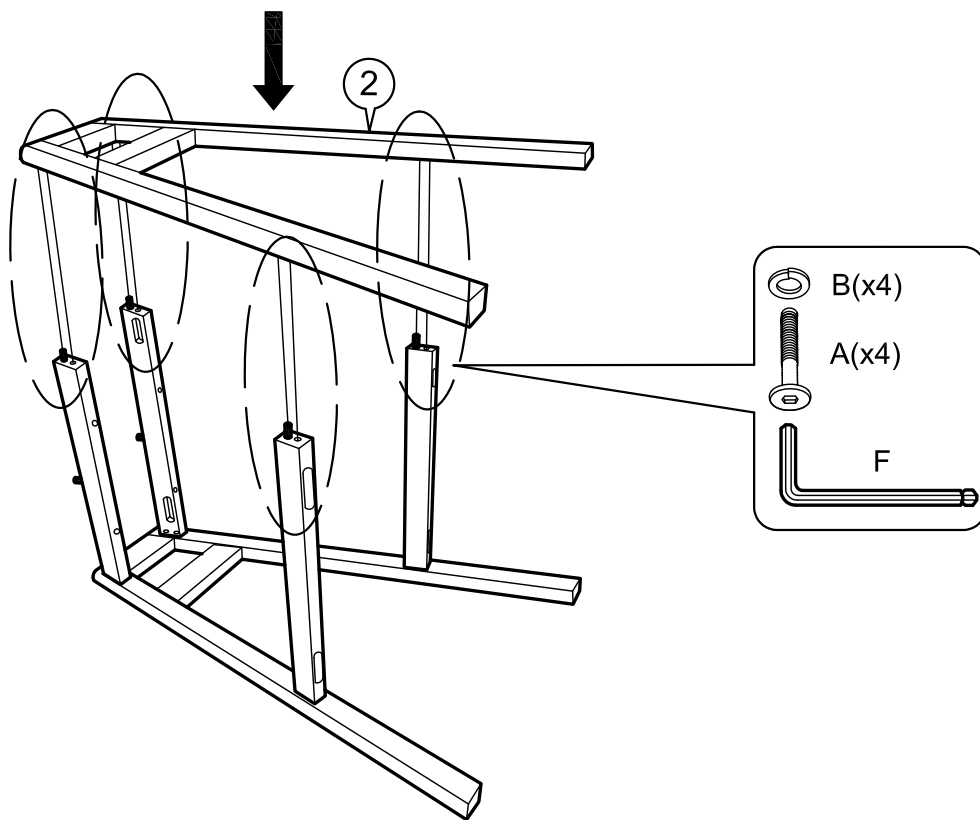
2



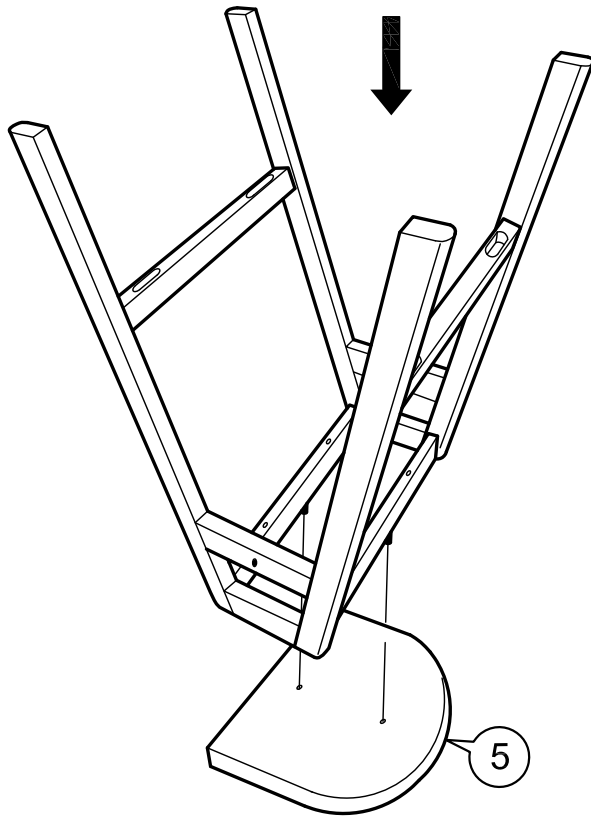
3



4



5



6

