



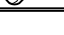


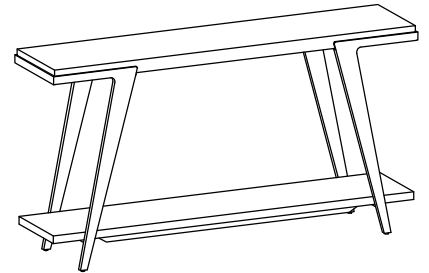
Item: 7228-80165-85 Boomerang Console Table

Thank you for purchasing this quality product. Be sure to unpack carefully looking for small parts which may have come loose during shipment.

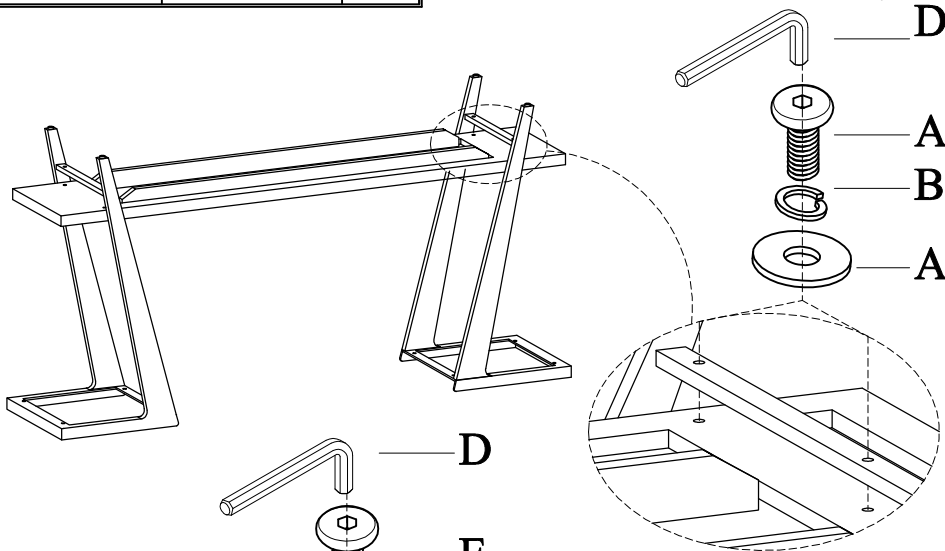
Read all instruction and study the drawing carefully before starting the assembly process:

HARDWARE PACK

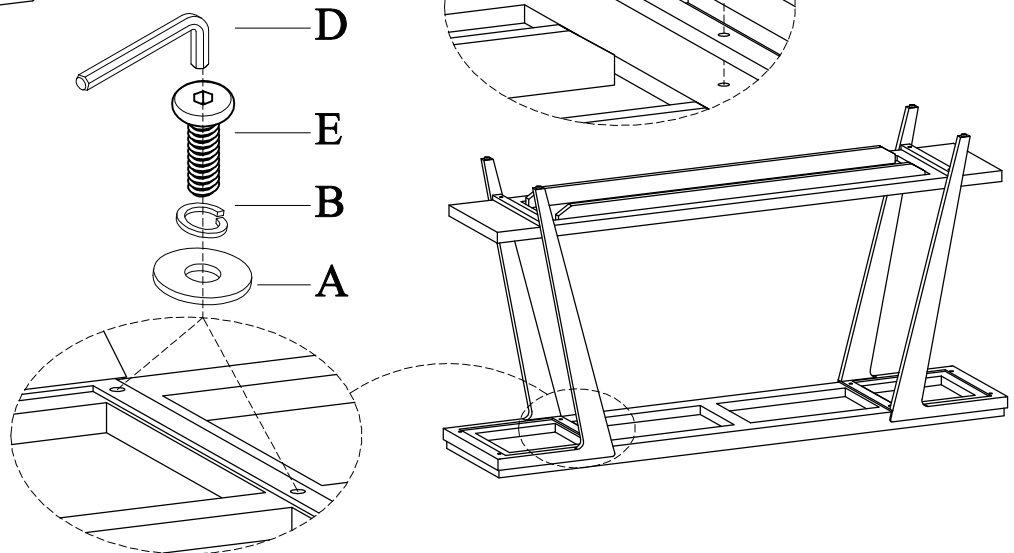
NO	DRAWING	DESCRIPTION	SIZE	Q'TY
A		Short Bolt	Ø1/4**1"	8pcs
B		Lock washer	Ø1/4"	12pcs
C		Flat washer	Ø1/4**16mm	12pcs
D		Allen wrench	4mm	1pc
E		Long Bolt	Ø1/4**1-1/4"	4pcs



Step 1



Step 2



Adjust leveler if needed to level case on uneven floor

