



XOBI_SC
ISLAND HOOD

HOW BEAUTIFUL KITCHENS BREATHE



XOBI_SC

- Electronic 3 Speed Control + Power Boost
- Code Compliance Control - 395/600 CFM
- High Efficiency 3000K LED lights (x2)
- 5 Minute delay function

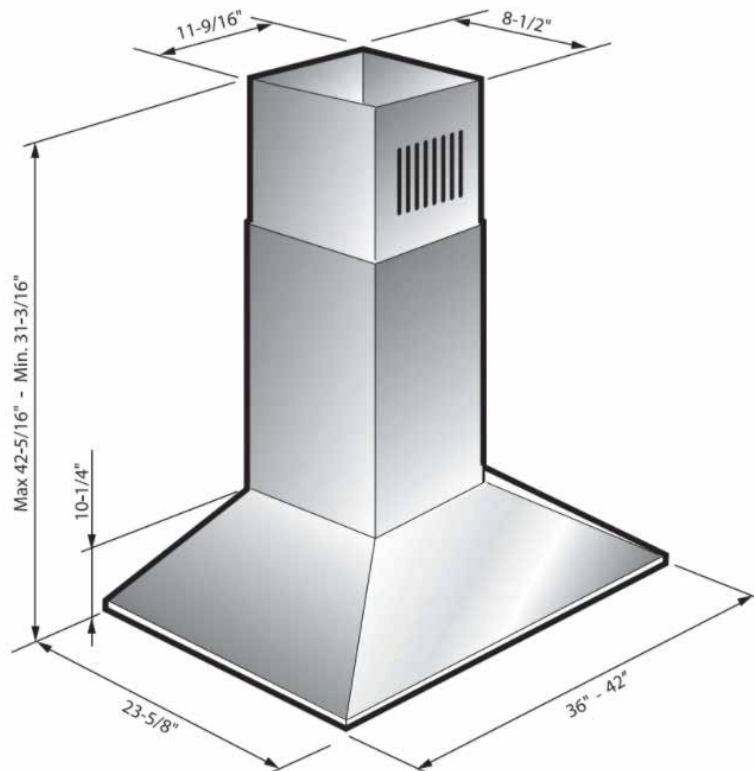
DESIGNED AND CRAFTED IN ITALY

The XOBI island hood offers classic styling at an unbelievable price. Who said island hoods have to be expensive? Enjoy the freedom of an island hood. XO delivers.

At XO, we believe that a good design is something everyone can afford

WORLD CLASS SERVICE | COMPREHENSIVE WARRANTIES
OUR LASTING COMMITMENT TO YOU





FEATURES

FINISH

Stainless Steel

FEATURES

- Electronic 3 Speed Control + Power Boost
- CCC Code Compliance Control - 395 or 600 CFM
- High Efficiency 3000K LED lights (x2)
- Dishwasher Safe Aluminum Mesh Filter
- Standard Chimney fits ceilings up to 9' tall
- 6" Vertical Duct or Recirculating (Kit Sold Separately)
- 5 Minute Delay Shutoff Timer
- Made In Italy

SPECIFICATIONS

ELECTRICAL 115VAC 60HZ 4.0 AMP

DIMENSIONS

H MAX 42 5/16" MIN 31 3/16"
 W 36" - 42"
 D 23 5/8"

(Refer to illustration above)

MOUNTING HEIGHT

ABOVE COOKING 27" - 32"

OPTIONS

- Recirculation Kit **XORFK04**
 - Recirculation Carbon Filter **XORFRND**
 - 6" Make-Up Air Kit **XOMA06**
 - Extended Duct Cover **XOEDCBI**
- (for ceilings up to 10" tall)

PERFORMANCE

SPEED	1	2	3	BOOST
CFM	160	250	395	600
SONES	1.0	2.5	4.0	6.5

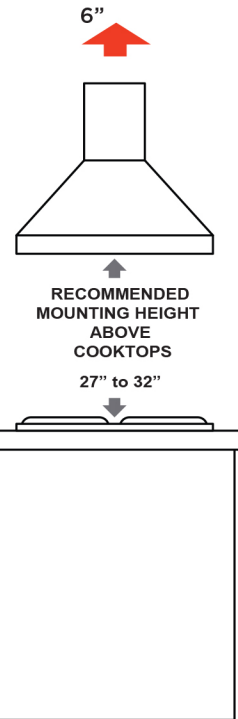
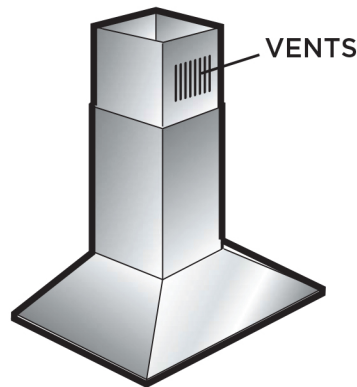
RECOMMENDED MOUNTING HEIGHT

All range hoods have a recommended range of installation height over the cooking surface. However cooking styles, types of cooking equipment and installation limitation can vary greatly. For installations outside the recommended range - consult XO.

THESE MODELS HAVE A 6" DIAMETER VERTICAL EXHAUST DUCT

RECIRCULATION

These XOBI models may be installed with an optional recirculation kit when venting outside is not practical. When used in recirculation mode the filtered exhaust is directed back into the living space through vents in the telescoping duct cover. These vents cannot be covered in the installation.



HOW DOES CODE COMPLIANCE CONTROL HELP -



CODE COMPLIANCE CONTROL (CCC) enables the installer to re-program the hood as it is being installed. **Your XO Hood is set to operate at 600 CFM maximum at the factory.**

Re-programming is accomplished quickly and requires no special tools or additional parts but once done, the air flow rate is limited to a maximum of 395 CFM below the 400 CFM cap that most local codes impose eliminating the need for additional controls.

Re-programming also disables the Power Boost function. After conversion, the installer affixes a label stating the unit has been converted to 395 CFM max. Once done, the unit cannot be changed back.

If your application calls for a make-up air solution, XO gives you more choices.