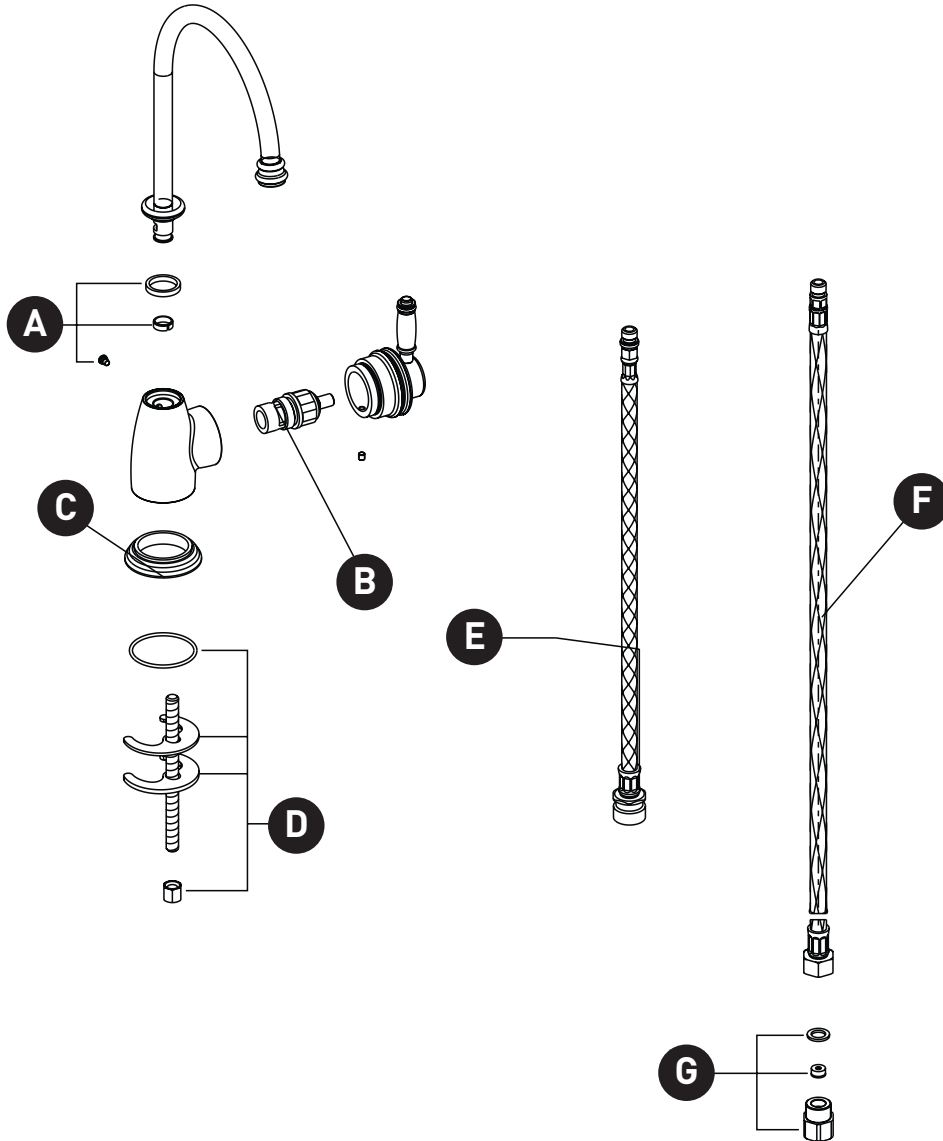


ORDER BY PART NUMBER

## ILLUSTRATED PARTS

### MB7945

Gotham™ Hot Water Dispenser



| ID | Kit Number | Finish    |
|----|------------|-----------|
| A* | KT42       | See below |
| B  | 2301/US    | N/A       |
| C  | B1704      | N/A       |
| D  | KT40       | N/A       |
| E  | A1217CO.AM | N/A       |
| F  | A911.AM    | N/A       |
| G  | KT41       | N/A       |

**\*Finish Determined by Suffix**

| Finish | Description     |
|--------|-----------------|
| APC    | Polished Chrome |
| PN     | Polished Nickel |
| STN    | Satin Nickel    |

For warranty or additional information, contact:

U.S.A.  
[houseofrohl.com/support](http://houseofrohl.com/support)  
 1-800-777-9762

QUEBEC / MARITIMES / WESTERN CANADA  
 QUÉBEC / MARITIMES / OUEST CANADIEN  
 QUEBEC / MARITIMOS / CANADA OCCIDENTAL  
[houseofrohl.ca/support](http://houseofrohl.ca/support)  
 1-866-473-8442

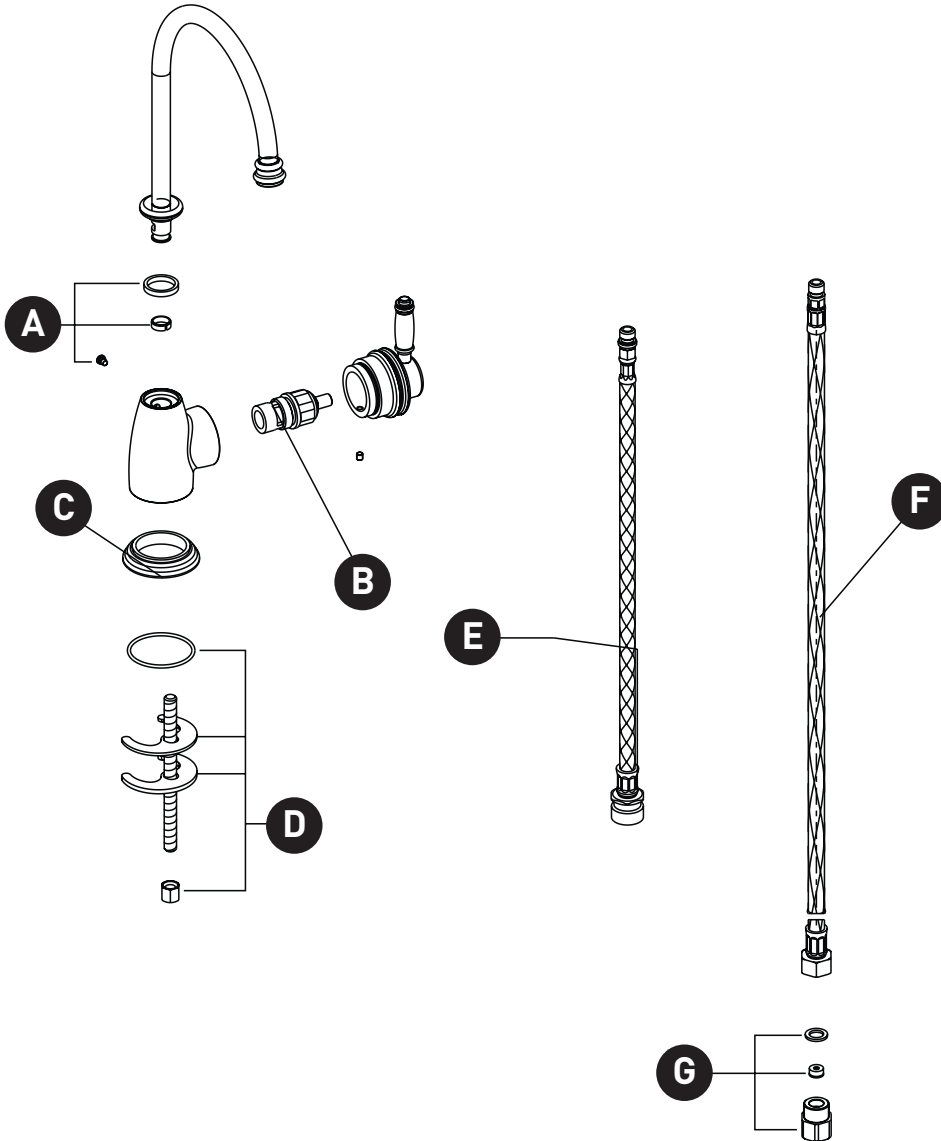
ONTARIO  
[houseofrohl.ca/support](http://houseofrohl.ca/support)  
 1-800-287-5354

VEUILLEZ EFFECTUER VOTRE COMMANDE  
PAR NO DE RÉFÉRENCE

## ILLUSTRATIONS DES PIÈCES

### MB7945

Robinet dispensateur à eau chaude  
Gotham™



| ID | Référence du kit | Finition        |
|----|------------------|-----------------|
| A* | KT42             | Voir ci-dessous |
| B  | 2301/US          | N/A             |
| C  | B1704            | N/A             |
| D  | KT40             | N/A             |
| E  | A1217CO.AM       | N/A             |
| F  | A911.AM          | N/A             |
| G  | KT41             | N/A             |

**\*Finition déterminée par le Suffixe**

| Finition | Description   |
|----------|---------------|
| APC      | Chrome poli   |
| PN       | Nickel poli   |
| STN      | Nickel satiné |

For warranty or additional information, contact:

U.S.A.  
houseofrohl.com/support  
1-800-777-9762

QUEBEC / MARITIMES / WESTERN CANADA  
QUÉBEC / MARITIMES / OUEST CANADIEN  
QUEBEC / MARITIMOS / CANADA OCCIDENTAL  
houseofrohl.ca/support  
1-866-473-8442

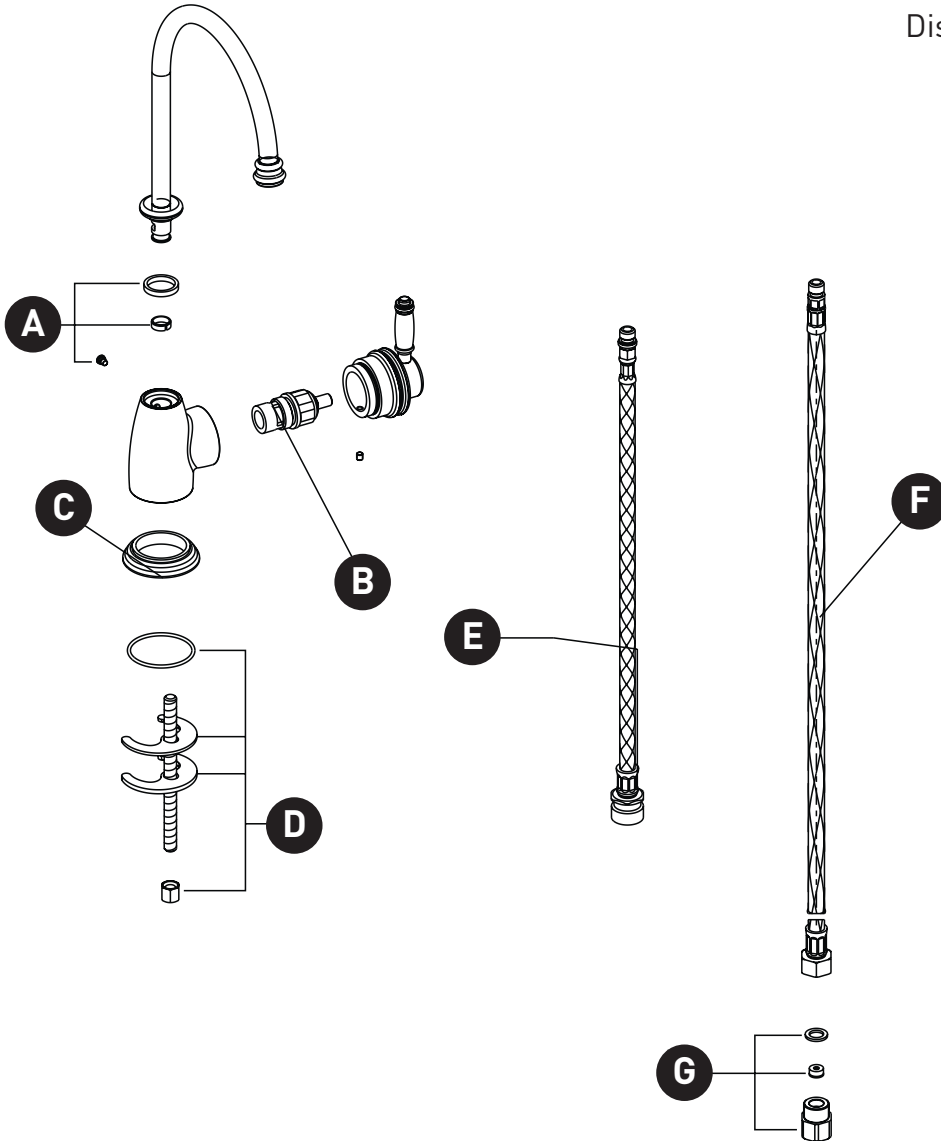
ONTARIO  
houseofrohl.ca/support  
1-800-287-5354

PEDIR POR NÚMERO DE REFERENCIA

## PIEZAS ILUSTRADAS

### MB7945

Dispensador de agua caliente Gotham™



| ID | Referencia del kit | Acabado       |
|----|--------------------|---------------|
| A* | KT42               | Ver más abajo |
| B  | 2301/US            | N/A           |
| C  | B1704              | N/A           |
| D  | KT40               | N/A           |
| E  | A1217CO.AM         | N/A           |
| F  | A911.AM            | N/A           |
| G  | KT41               | N/A           |

**\*Acabado determinado por el sufijo**

| Acabado | Descripción     |
|---------|-----------------|
| APC     | Cromo pulido    |
| PN      | Níquel pulido   |
| STN     | Níquel satinado |

For warranty or additional information, contact:

U.S.A.  
houseofrohl.com/support  
1-800-777-9762

QUEBEC / MARITIMES / WESTERN CANADA  
QUÉBEC / MARITIMES / OUEST CANADIEN  
QUEBEC / MARITIMOS / CANADA OCCIDENTAL  
houseofrohl.ca/support  
1-866-473-8442

ONTARIO  
houseofrohl.ca/support  
1-800-287-5354