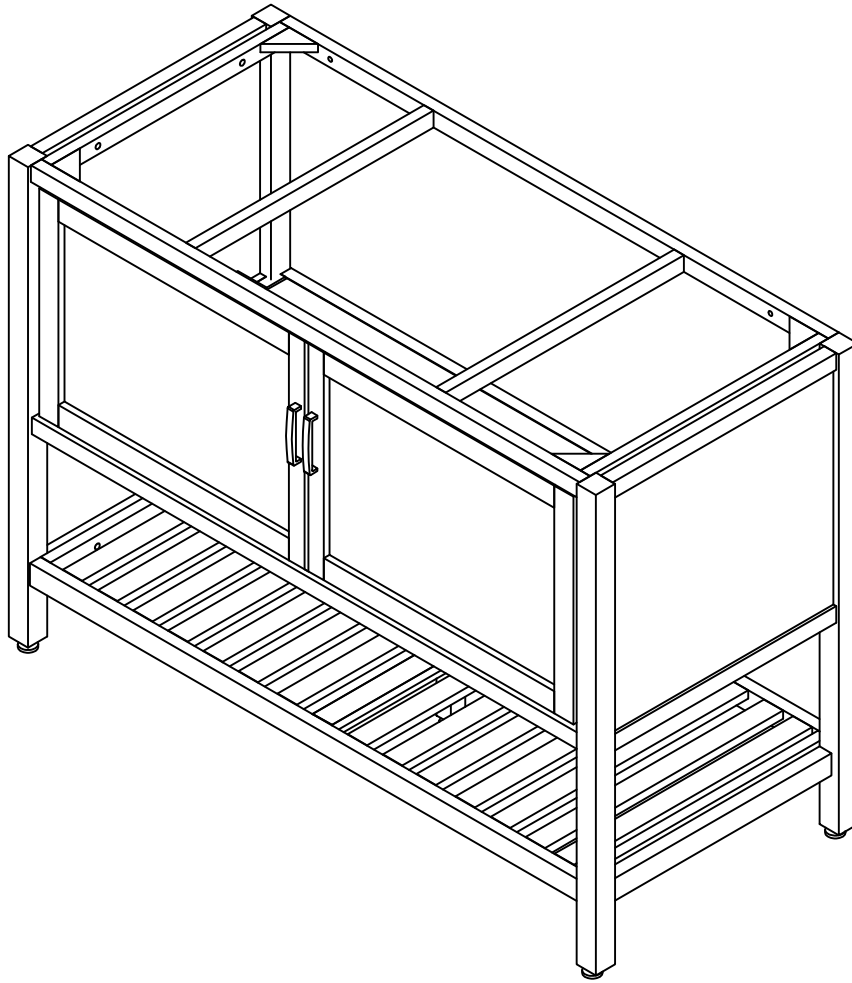


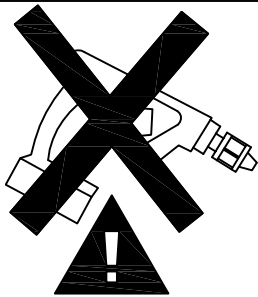
ASSEMBLY INSTRUCTION

48" Vanity

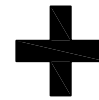
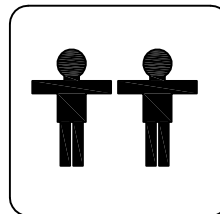


REPLACEMENT PARTS

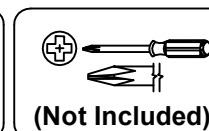
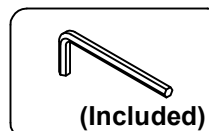
Please do not contact the company purchased from as we can help you faster.
Order replacement parts and hardware at " www.boltonfurniture.com "



. Use of power tool to assemble this product will invalidate any claim and damage this product making it unsafe !!!
. Please assemble on a clean soft surface to avoid damage.

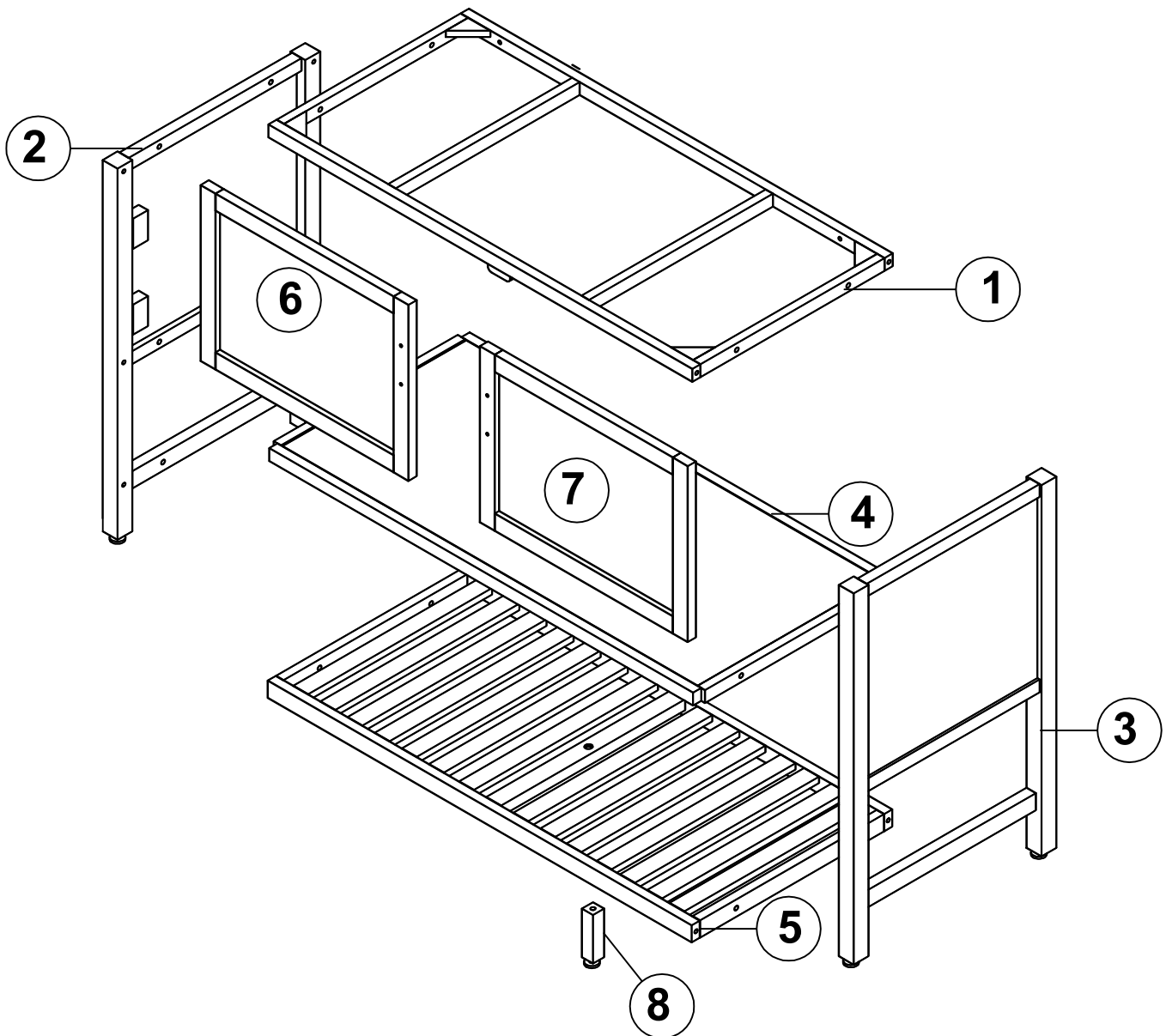


Tools Required









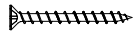
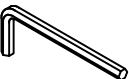


www.boltonfurniture.com

Part list - 48" Vanity



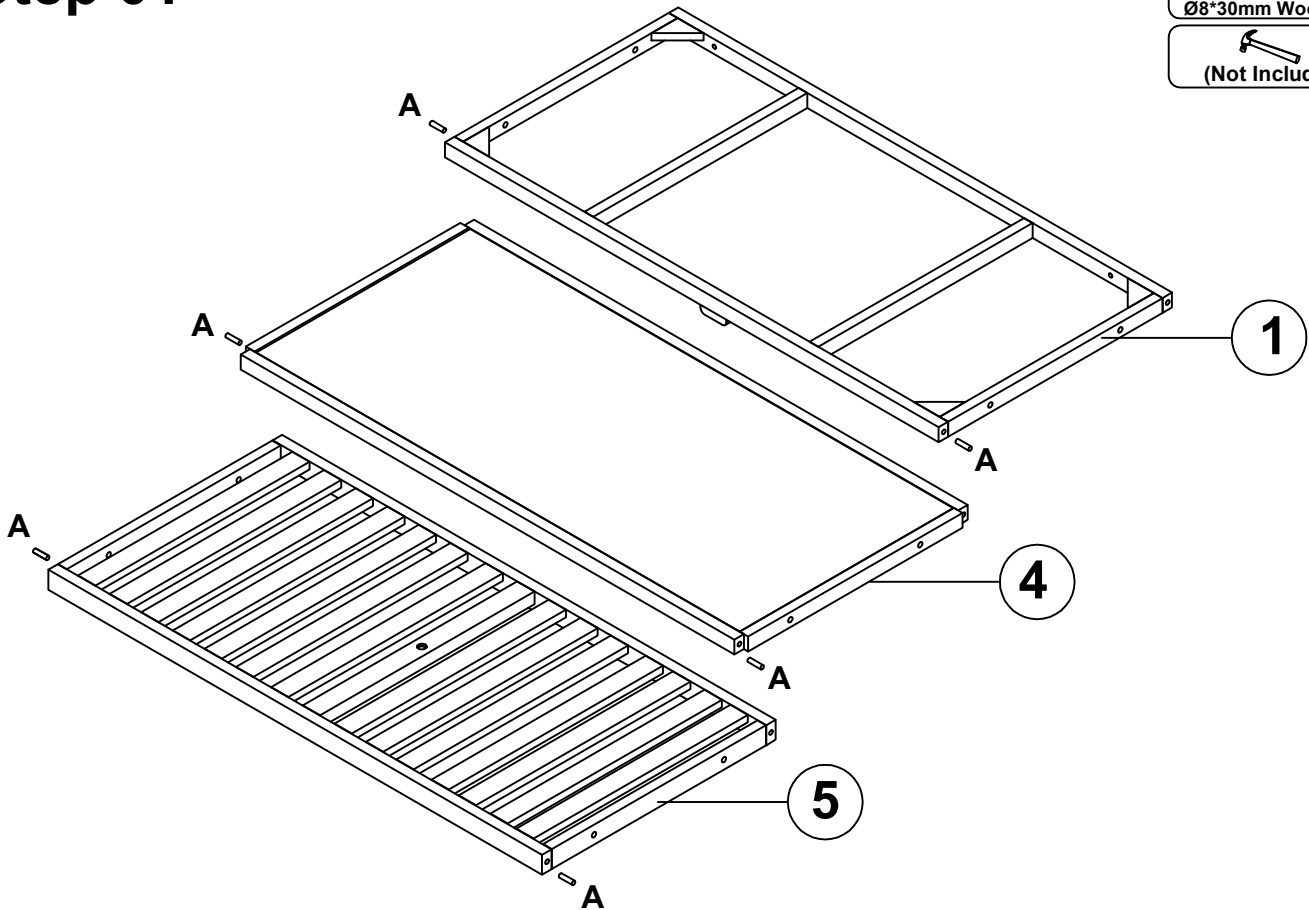
Identifying the hardware-Identify the hardware using the illustrations below

A  06 Ø8*30mm Wood Dowel	B  13 M6*45mm Bolt	C  12 Ø6*16mm Washer
D  04	E  24 3.5*15mm Screw	F  02
G  04 4*25mm Screw	H  05	I  02 4*50mm Screw
J  01		

Step 01

A  **06**
Ø8*30mm Wood Dowel


 **01**
(Not Included)

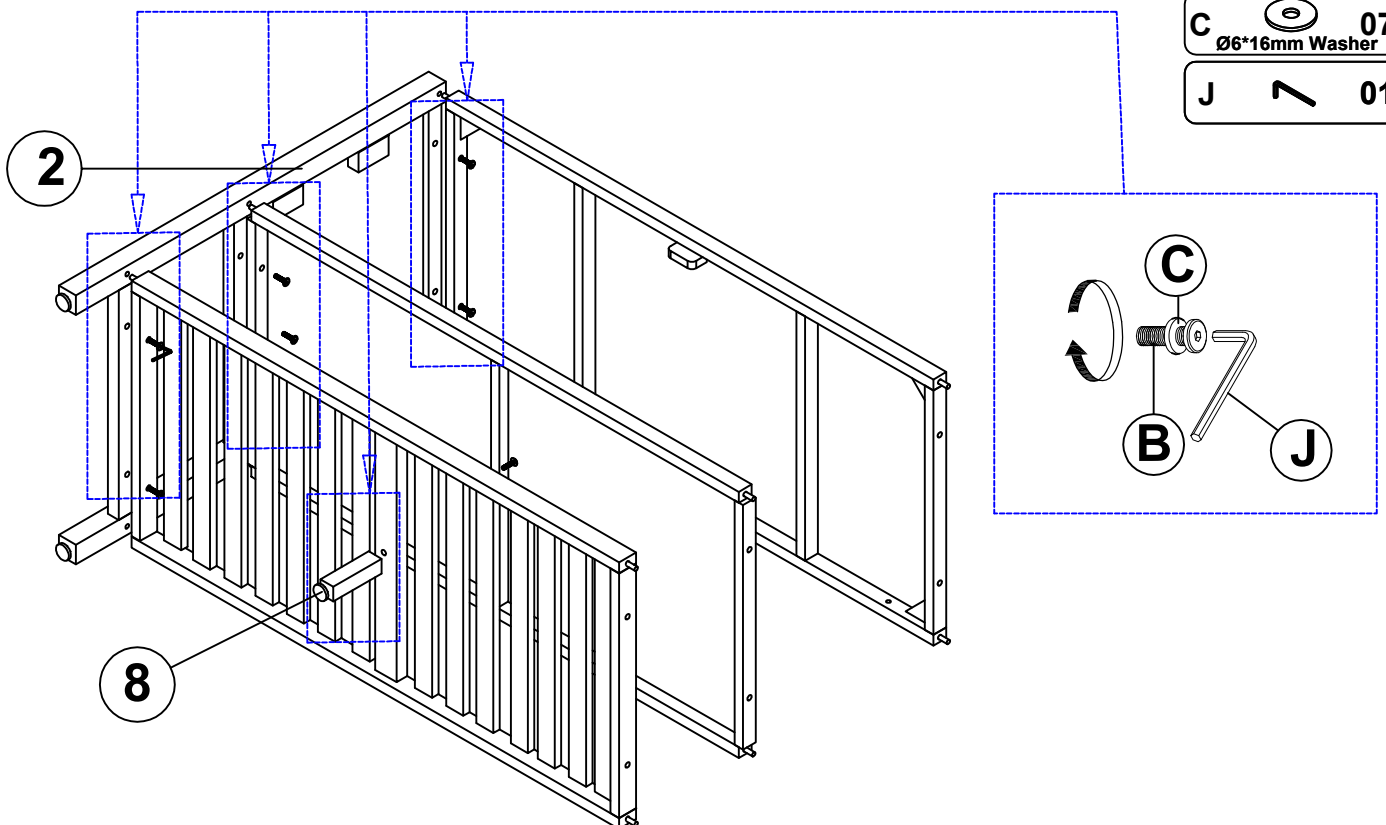


Step 02

B  **07**
M6*45mm Bolt

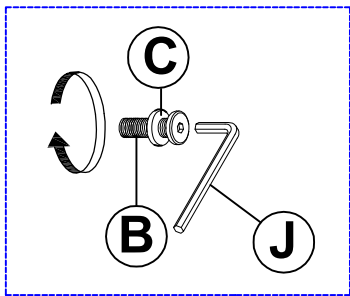
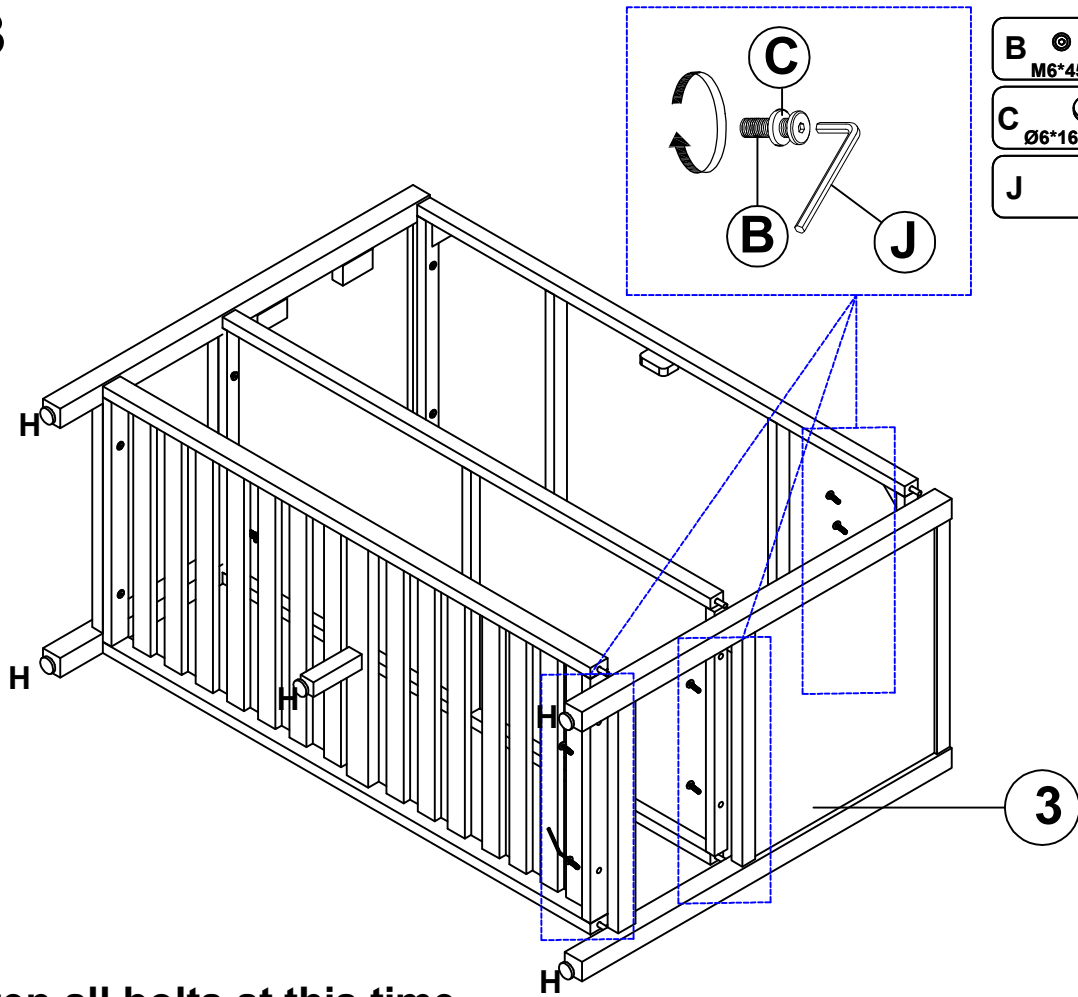
C  **07**
Ø6*16mm Washer

J  **01**



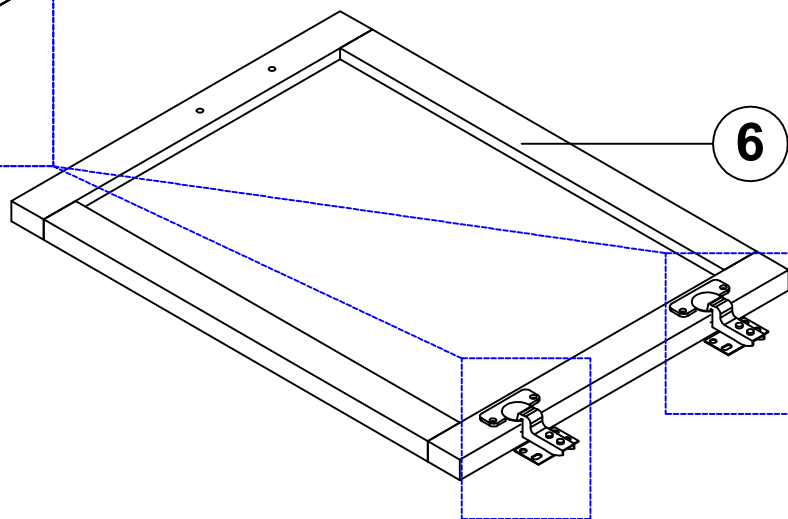
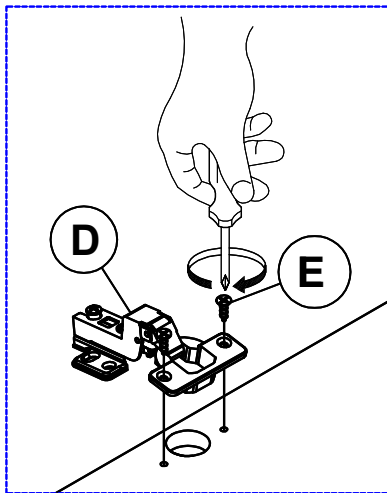
Note: Do not tighten bolts firmly at this time

Step 03



- B** **06**
M6*45mm Bolt
- C** **06**
Ø6*16mm Washer
- J** **01**


Note: Tighten all bolts at this time

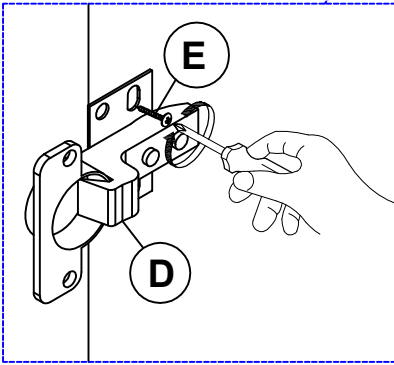
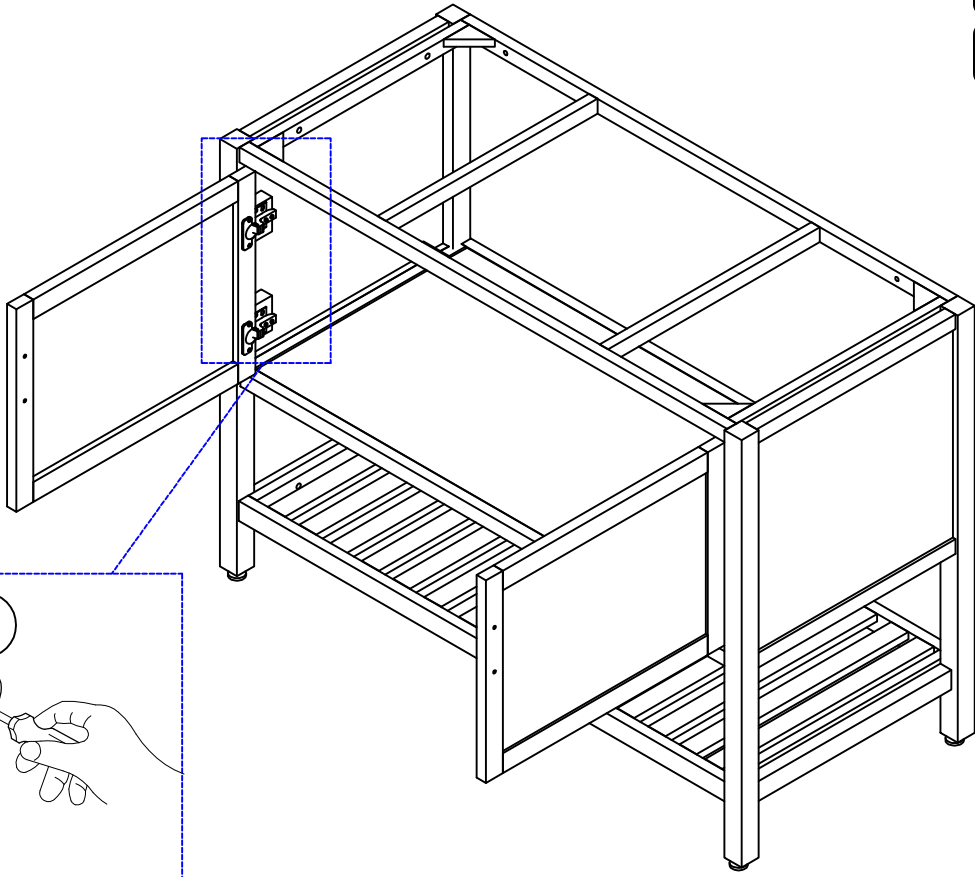


- D** **04**
- E** **08**
3.5*15mm Screw
- 01**

X2

E  16
3.5*15mm Screw

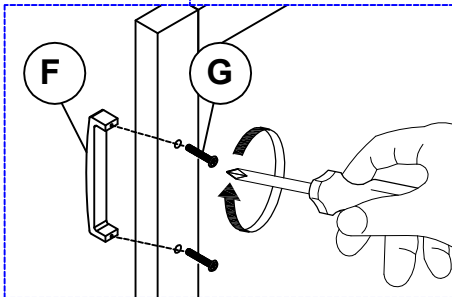
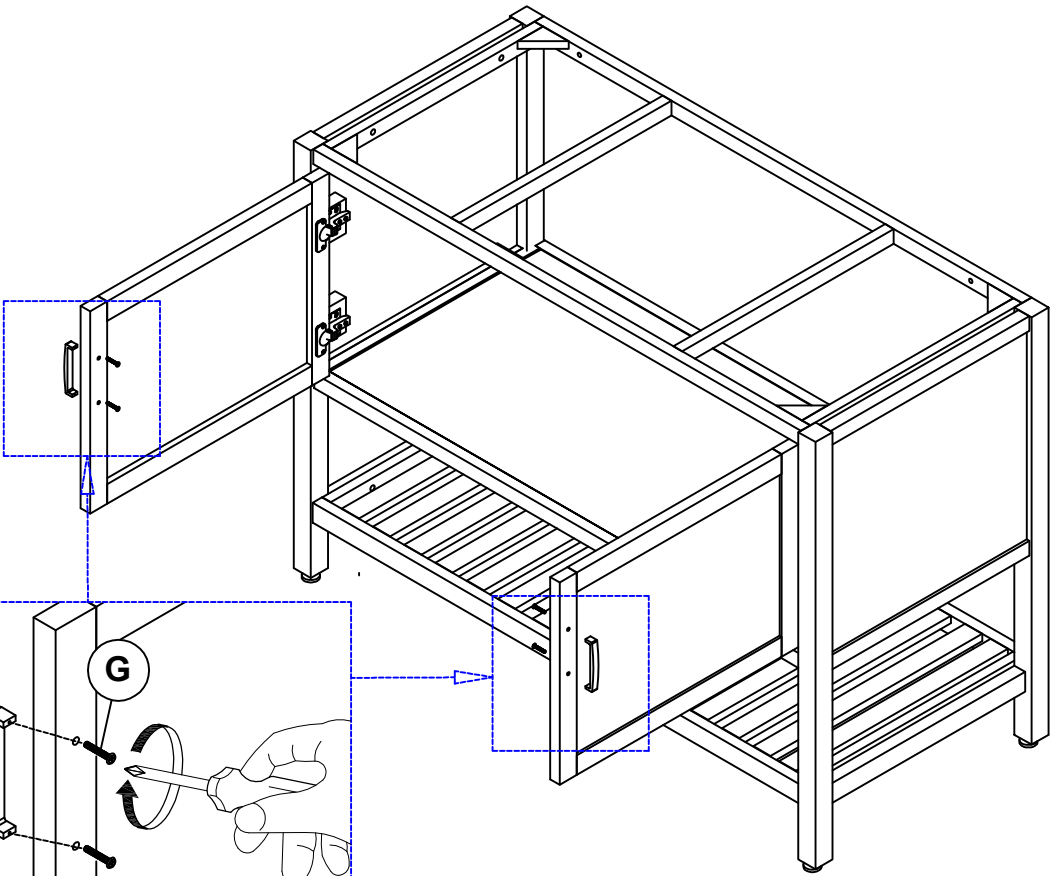
 01



F  02

G  04
4*25mm Screw

 01



Step 07

I 4*50mm Screw 02

01

- . Mark the location of the Studs in the wall on the stretcher rail.
- . Drill a 1/16" thru hole in the center of the Stretcher Rail at the location of the studs in the wall.
- . Secure the Vanity to the wall using screws (I)
Make sure the screws align with the Studs in the wall.

