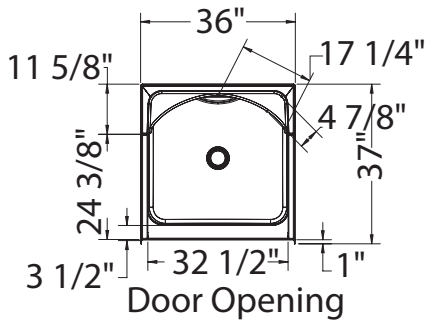
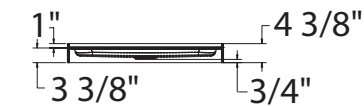


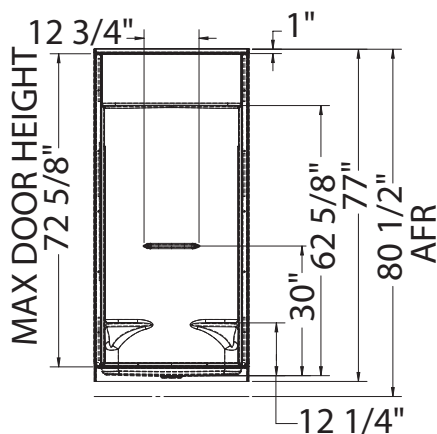
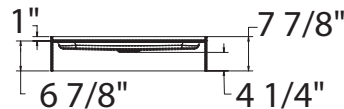
STANDARD



NOT ABOVE-THE-FLOOR

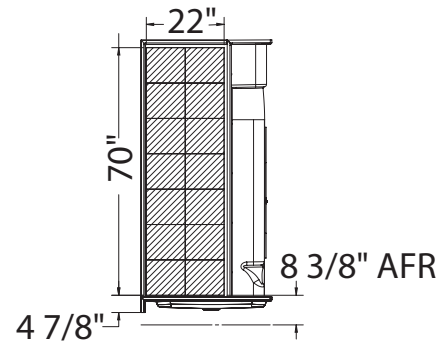


ABOVE-THE-FLOOR

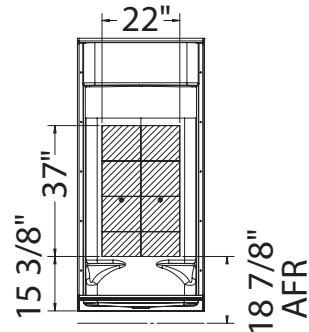


REINFORCEMENT BACKING

OPTION 20212-L Shown
OPTION 20212-R Symmetrical



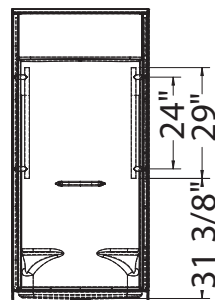
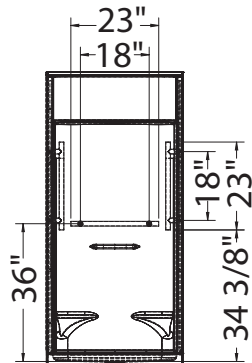
OPTION 20212-B



GRAB BARS

OPTION 20203

OPTION 20204



OPTION
20203-20204

