

## SPECIFICATIONS

### DESCRIPTION

- Drain sold separately
- 3/8" Speedway compression

### FLOW

- 1.2 GPM/4.5 LPM at 60 PSI (WaterSense and CEC compliant)

### STANDARDS

- ASME A112.18.1/CSA B125.1
- NSF 61/9 & 372 Q ≤ 1
- CEC

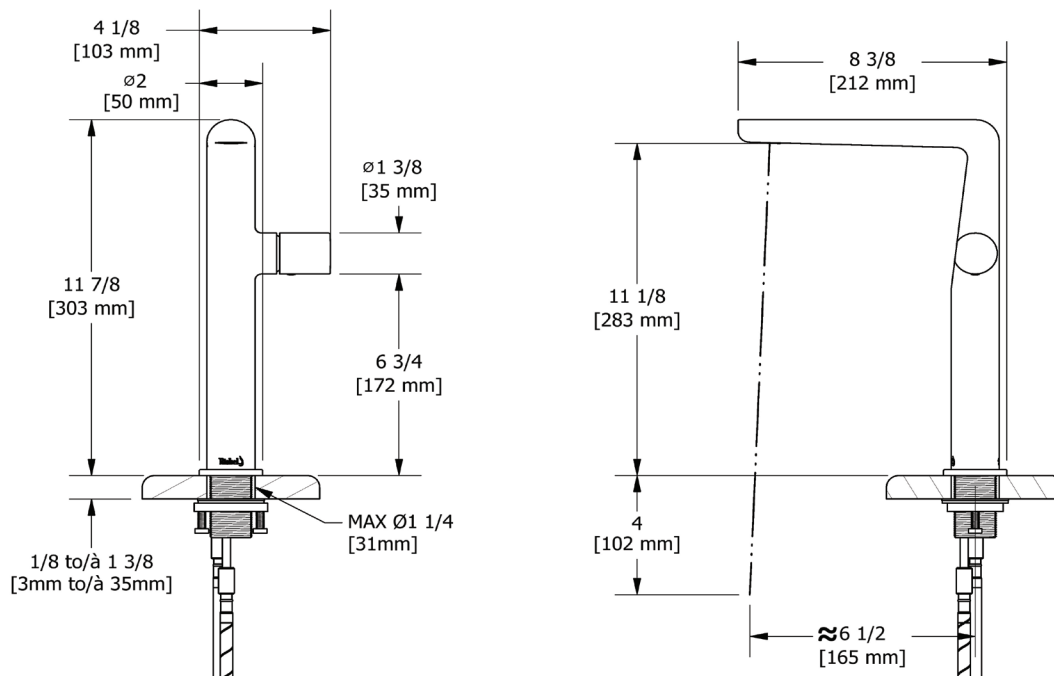
### WARRANTY

- Most products or parts carry "Limited Warranties" against manufacturing defects. For US customers please visit [houseofrohl.com/support](http://houseofrohl.com/support) and for Canadian customers please visit [houseofrohl.ca/support](http://houseofrohl.ca/support) for complete product and finish warranty.



**Parabola™**  
Single Handle Tall Lavatory Faucet

**MODEL:** PBL01



**For warranty or additional information, contact:**

U.S.A.  
[houseofrohl.com/support](http://houseofrohl.com/support)  
1-800-777-9762

QUEBEC / MARITIMES / WESTERN CANADA  
QUÉBEC / MARITIMES / OUEST CANADIEN  
QUEBEC / MARITIMOS / CANADA OCCIDENTAL  
[houseofrohl.ca/support](http://houseofrohl.ca/support)  
1-866-473-8442

ONTARIO  
[houseofrohl.ca/support](http://houseofrohl.ca/support)  
1-800-287-5354

## SPÉCIFICATIONS

### DESCRIPTION

- Ensemble de drain vendu séparément
- Speedway 3/8" compression

### DEBITS DISPONIBLES

- 1,2 GPM/4,5 LPM à 60 PSI (Conforme WaterSense et CEC)

### CERTIFICATION

- ASME A112.18.1/CSA B125.1
- NSF 61/9 & 372 Q ≤ 1
- CEC

### GARANTIE

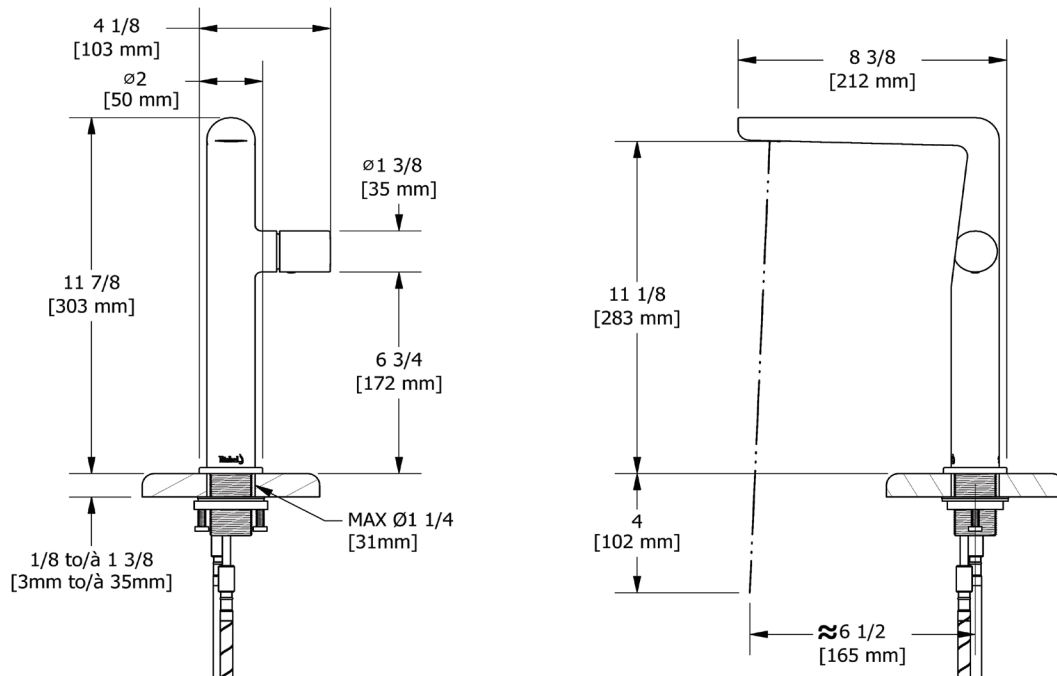
- La plupart des produits ou pièces comportent des « garanties limitées » contre les défauts de fabrication. Pour les clients américains, veuillez visiter [houseofrohl.com/support](http://houseofrohl.com/support) et pour les clients canadiens, veuillez visiter [houseofrohl.ca/support](http://houseofrohl.ca/support) pour la garantie complète du produit et du fini.



### Parabola™

Robinet de lavabo monotrou

**MODÈLES:** PBL01



For warranty or additional information, contact:

U.S.A.  
[houseofrohl.com/support](http://houseofrohl.com/support)  
 1-800-777-9762

QUEBEC / MARITIMES / WESTERN CANADA  
 QUÉBEC / MARITIMES / OUEST CANADIEN  
 QUEBEC / MARITIMOS / CANADA OCCIDENTAL  
[houseofrohl.ca/support](http://houseofrohl.ca/support)  
 1-866-473-8442

ONTARIO  
[houseofrohl.ca/support](http://houseofrohl.ca/support)  
 1-800-287-5354

## ESPECIFICACIONES

### DESCRIPCIÓN

- El conjunto de drenaje se vende por separado.
- Compresión Speedway de 3/8"

### FLUIR

- 1,2 GPM/4,5 LPM a 60 PSI (cumple con WaterSense y CEC)

### NORMAS

- ASME A112.18.1/CSA B125.1
- NSF 61/9 & 372 Q ≤ 1
- CEC

### GARANTÍA

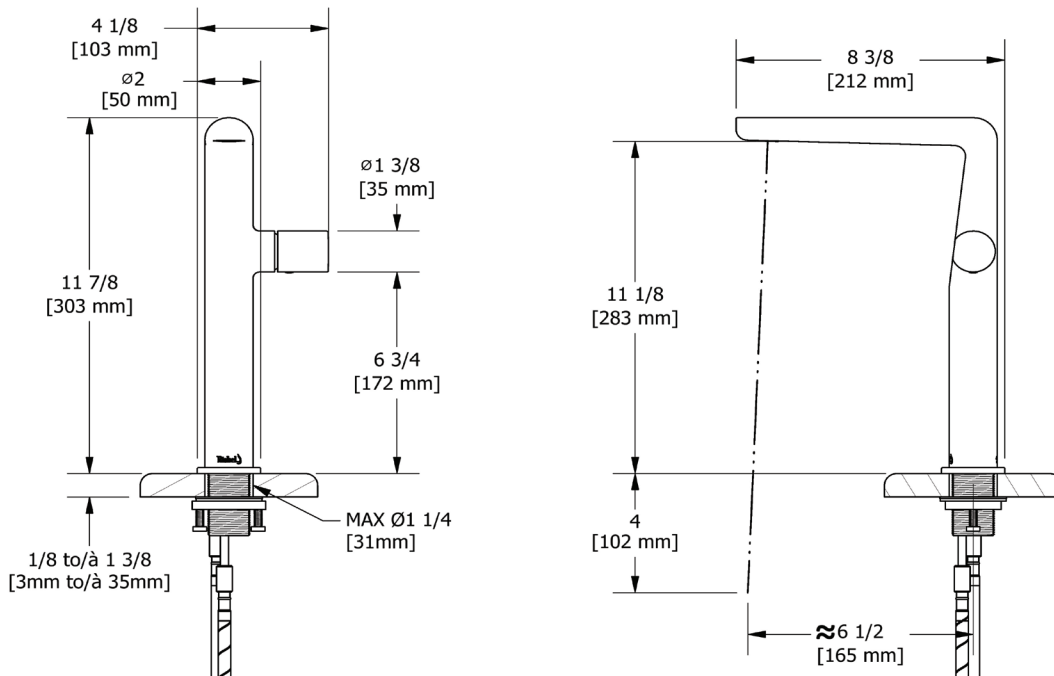
- La mayoría de los productos o piezas cuentan con "Garantías limitadas" contra defectos de fabricación. Para los clientes de EE. UU., visite [houseofrohl.com/support](http://houseofrohl.com/support) y para los clientes canadienses, visite [houseofrohl.ca/support](http://houseofrohl.ca/support) para conocer la garantía completa del producto y el acabado.



### Parabola™

Grifo para lavabo de un solo orificio

**MODELOS:** PBL01



**For warranty or additional information, contact:**

U.S.A.  
[houseofrohl.com/support](http://houseofrohl.com/support)  
 1-800-777-9762

QUEBEC / MARITIMES / WESTERN CANADA  
 QUÉBEC / MARITIMES / OUEST CANADIEN  
 QUEBEC / MARITIMOS / CANADA OCCIDENTAL  
[houseofrohl.ca/support](http://houseofrohl.ca/support)  
 1-866-473-8442

ONTARIO  
[houseofrohl.ca/support](http://houseofrohl.ca/support)  
 1-800-287-5354