

Your new Leick Home table will give you years of trouble-free performance. Thank you for choosing our product for your home. **Please read carefully and save these instructions, as you may need them at a later date.**

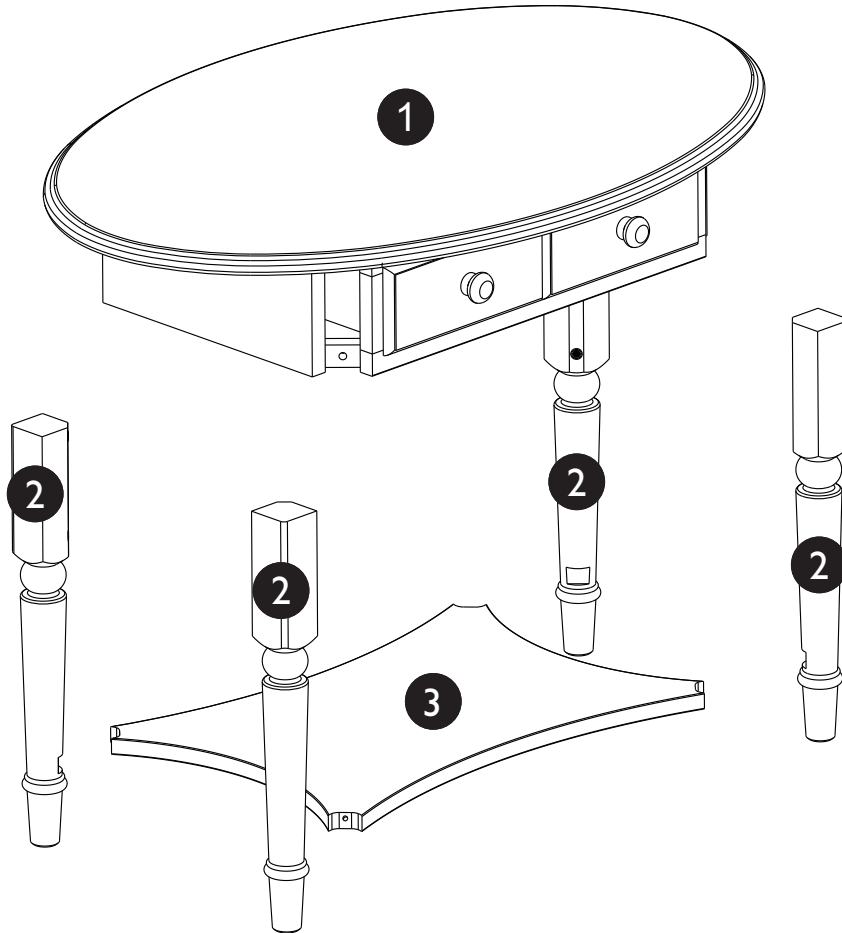


Follow Us on Social     

Design House Inc. reserves the right to make changes in materials, specifications, & models at any time. Design House Inc. also reserves the right to discontinue product without notice or obligation.

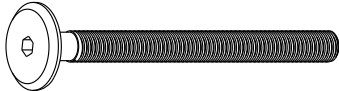

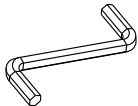
## PARTS INCLUDED

Please confirm all parts are available before starting assembly.

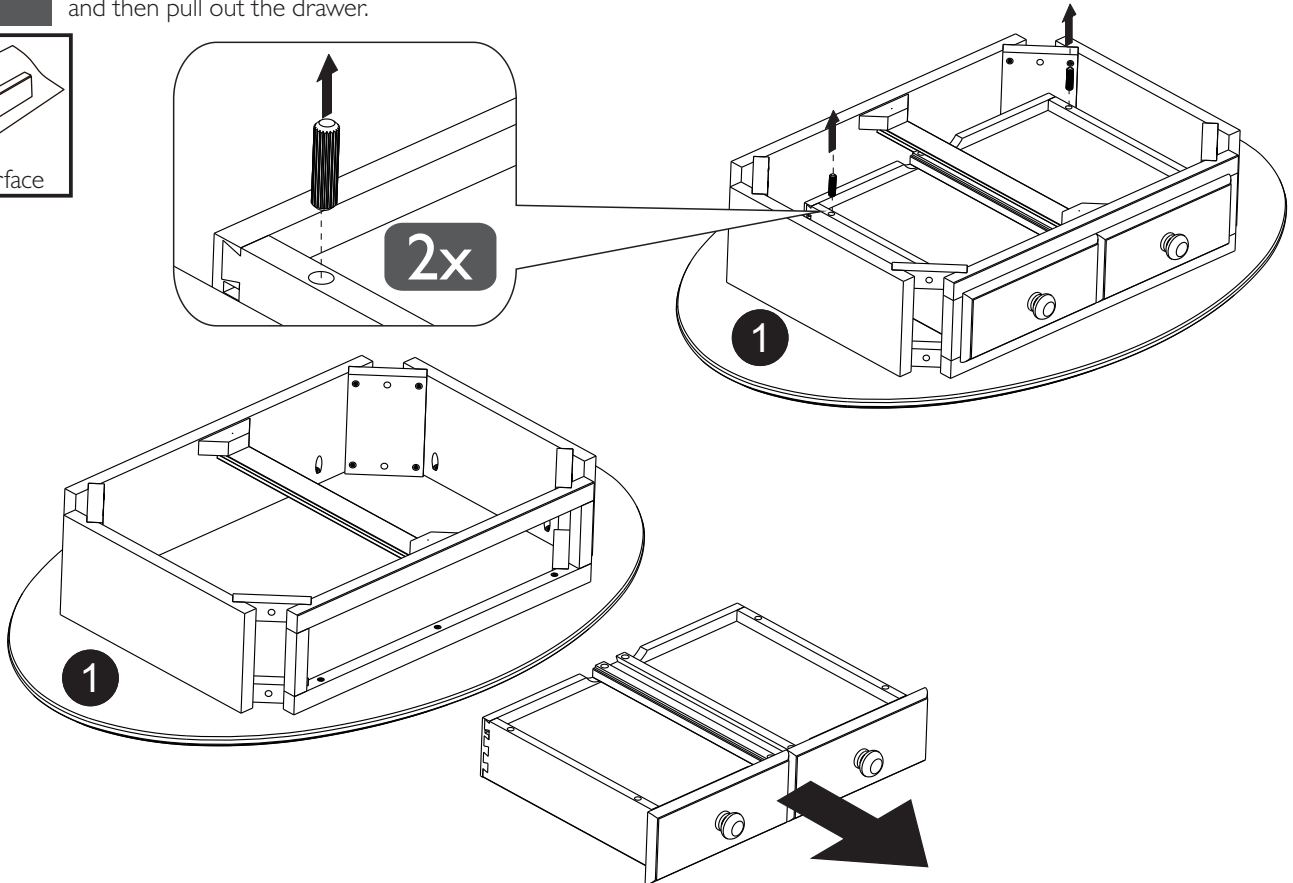
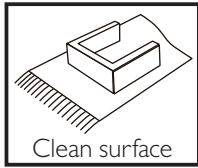


## HARDWARE INCLUDED

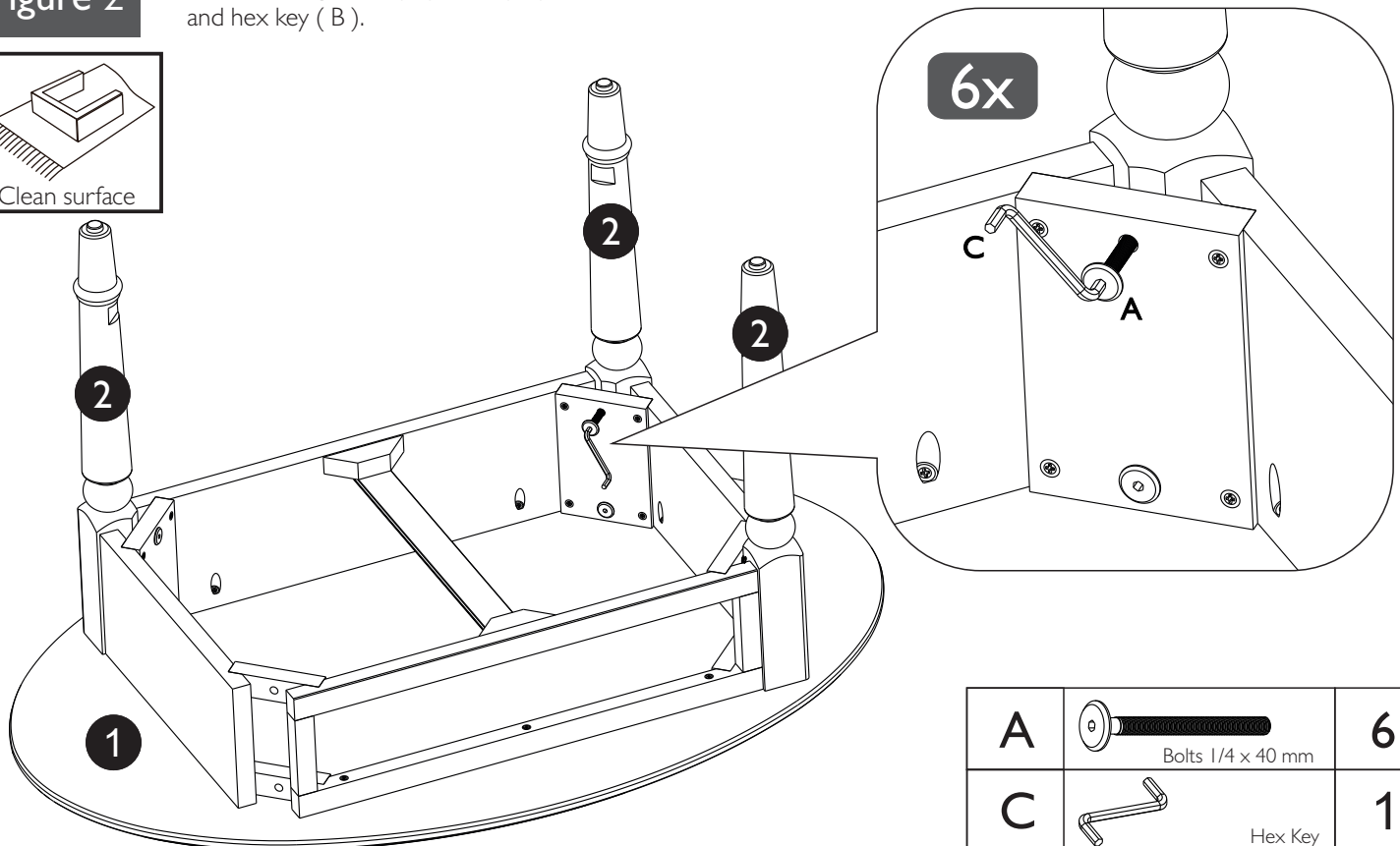
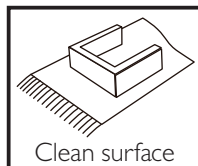
Please confirm all hardware are available before starting assembly.


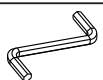
Ref.		Qty.
<b>A</b>	 <p>Bolts 1/4 x 40 mm</p>	<b>8</b>
<b>B</b>	 <p>Screw ø4,5 x 35 mm</p>	<b>4</b>
<b>C</b>	 <p>Hex Key</p>	<b>1</b>

**Figure 1** Place the top assembly upside down and remove the dowels, and then pull out the drawer.

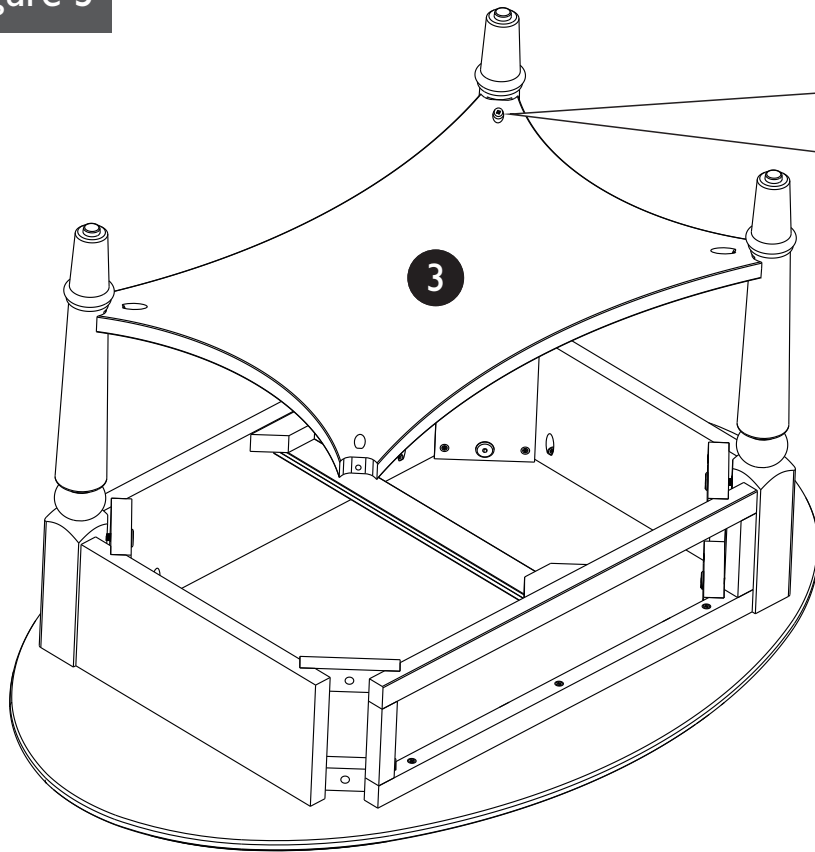


**Figure 2** Fasten the legs with ( 6 ) bolts ( A ) and hex key ( B ).




A		6
Bolts 1/4 x 40 mm		
C		1
Hex Key		

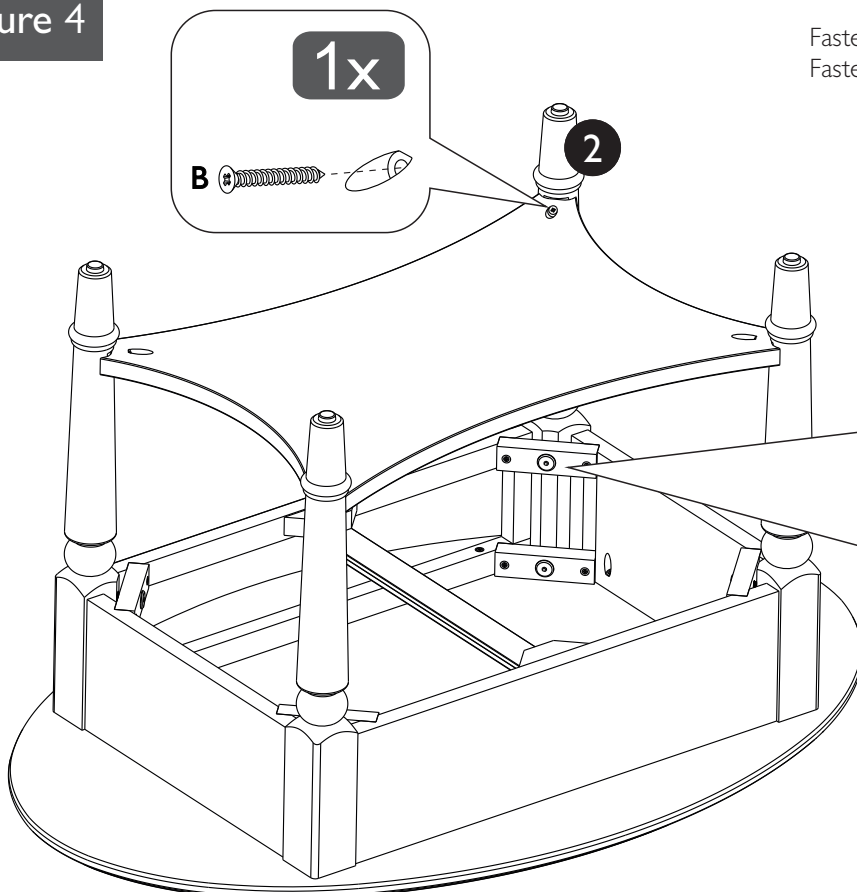
**Figure 3**





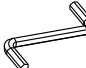
Fasten the shelf to the legs with ( 3 ) screws ( B ).  
Ask for another set of hands to help hold the shelf while the bolts are inserted.

<b>B</b>		<b>3</b>
	Ø4,5 x 35 mm	

**Figure 4**



Fasten the leg with ( 2 ) Bolts ( A ) and hex key ( C ).  
Fasten the shelf to the leg with ( 1 ) screw ( B ).

<b>A</b>		<b>2</b>
	Bolts 1/4 x 40 mm	
<b>B</b>		<b>1</b>
	Ø4,5 x 35 mm	
<b>C</b>		<b>1</b>
	Hex Key	

Follow Us on Social     

Design House Inc. reserves the right to make changes in materials, specifications, & models at any time. Design House Inc. also reserves the right to discontinue product without notice or obligation.

Figure 5

Place the drawer in the cabinet.

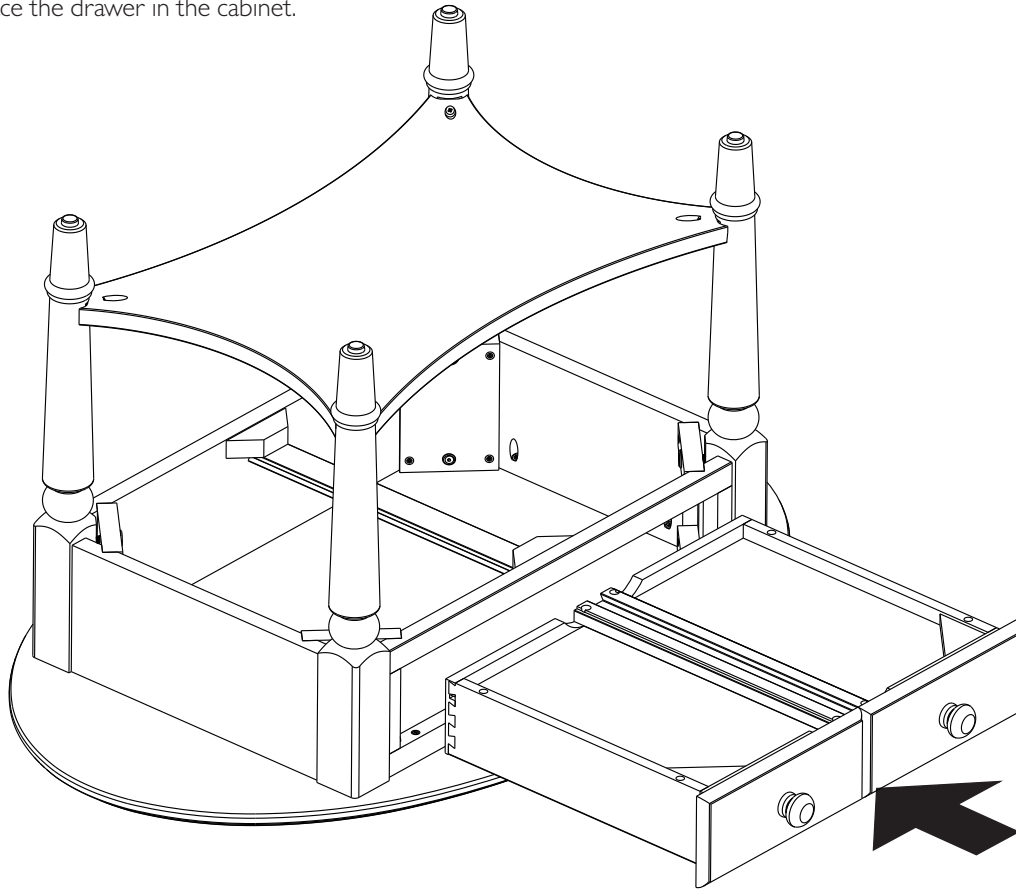
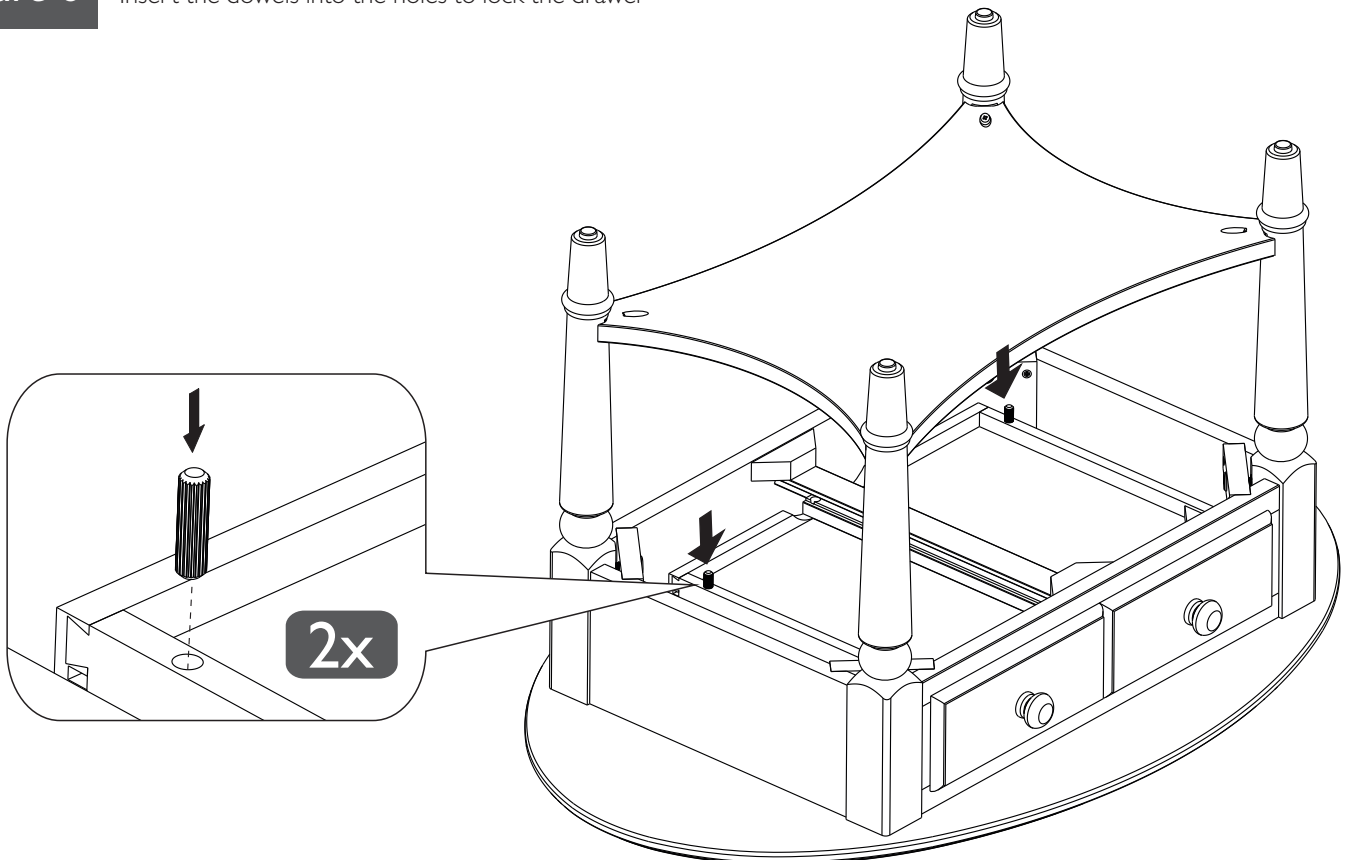


Figure 6

Insert the dowels into the holes to lock the drawer



**Figure 7**

