



## 4-Port, 3-Way Diverter with Cross Handle — TRIM ONLY

ROHL Modern Collection

BA27X-FINISH/TO

BA27L-FINISH/TO

### FEATURES

- Handle, escutcheon and cover plate to multi-part diverter valve
- Solid brass construction

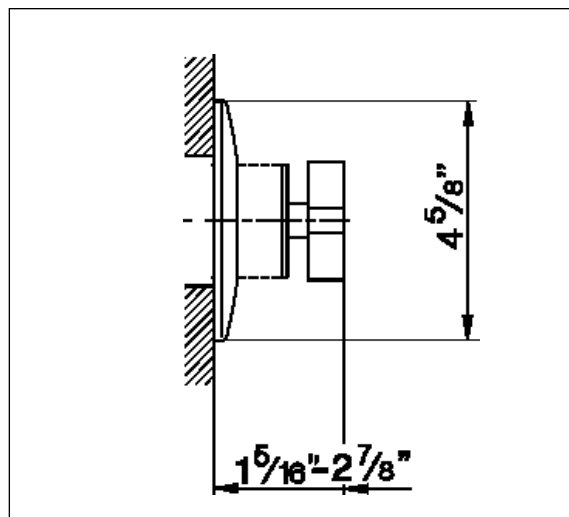
### COLORS/FINISHES

- Polished Chrome
- Satin Nickel
- Polished Nickel

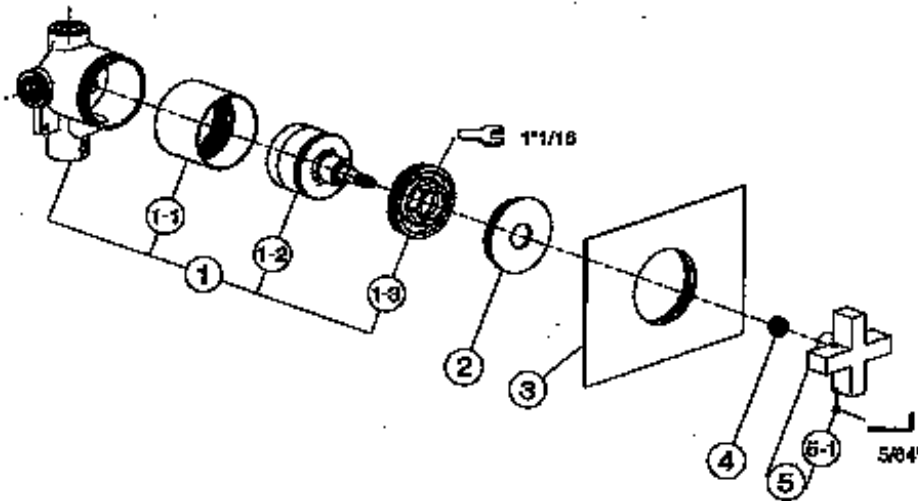
### WARRANTY

- Limited Lifetime

To complete package order:  
AC27-FINISH/BO Rough

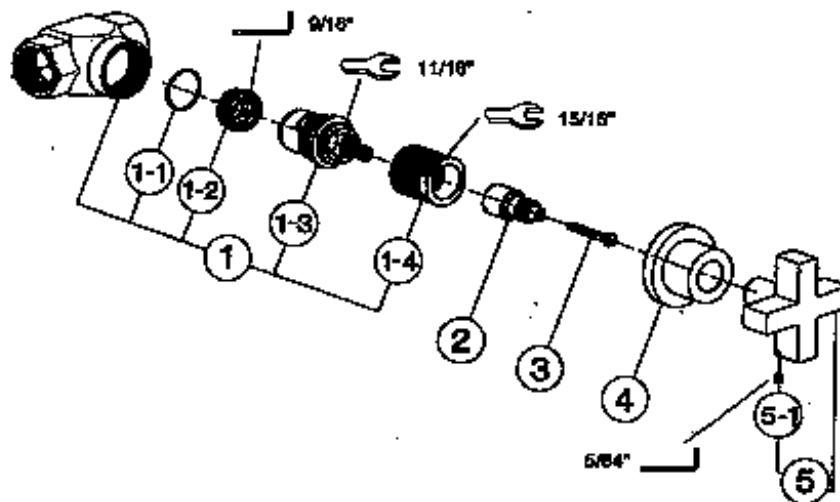


## BA 27 X / TO + AC 27 / BO



POS.	DESCRIPTION	CODE	POS.	DESCRIPTION	CODE
1	4-way diverter rough	ZA102270	3	Plate for 4-way cartridge diverter	ZZ222200
1-1	Tube 4-way cartridge diverter	ZZ222220	4	Complete knurled reducer plate	ZZ222200
1-2	Cartridge 4-way diverter	ZZ222470	5	Handle "B4" for single hole mixer	ZZ222700
1-3	Nut 4-way cartridge diverter	ZZ222220	5-1	Screw stainless steel M 4x4	ZZ222220
2	Screw for cover: 20x20	ZZ222220			

## BA 31 X / TO + ZA 33 BO



POS.	DESCRIPTION	CODE	POS.	DESCRIPTION	CODE
1	Rough body for concealed flow valve 3/4" MP	ZA102313	2	Extension for handle: 20x20	ZZ222220
1-1	Great cap copper 26x22, 2x1	ZZ222270	3	Screw M 4x20	ZZ222220
1-2	Cap 3/4"	ZZ222220	4	Cover plate for concealed valve	ZZ222220
1-3	Cartridge concealed flow valve	ZZ222220	5	Handle "B4" for concealed valve	ZZ222700
1-4	Nut for cap 3/4"	ZZ222220	5-1	Screw stainless steel M 4x4	ZZ222220