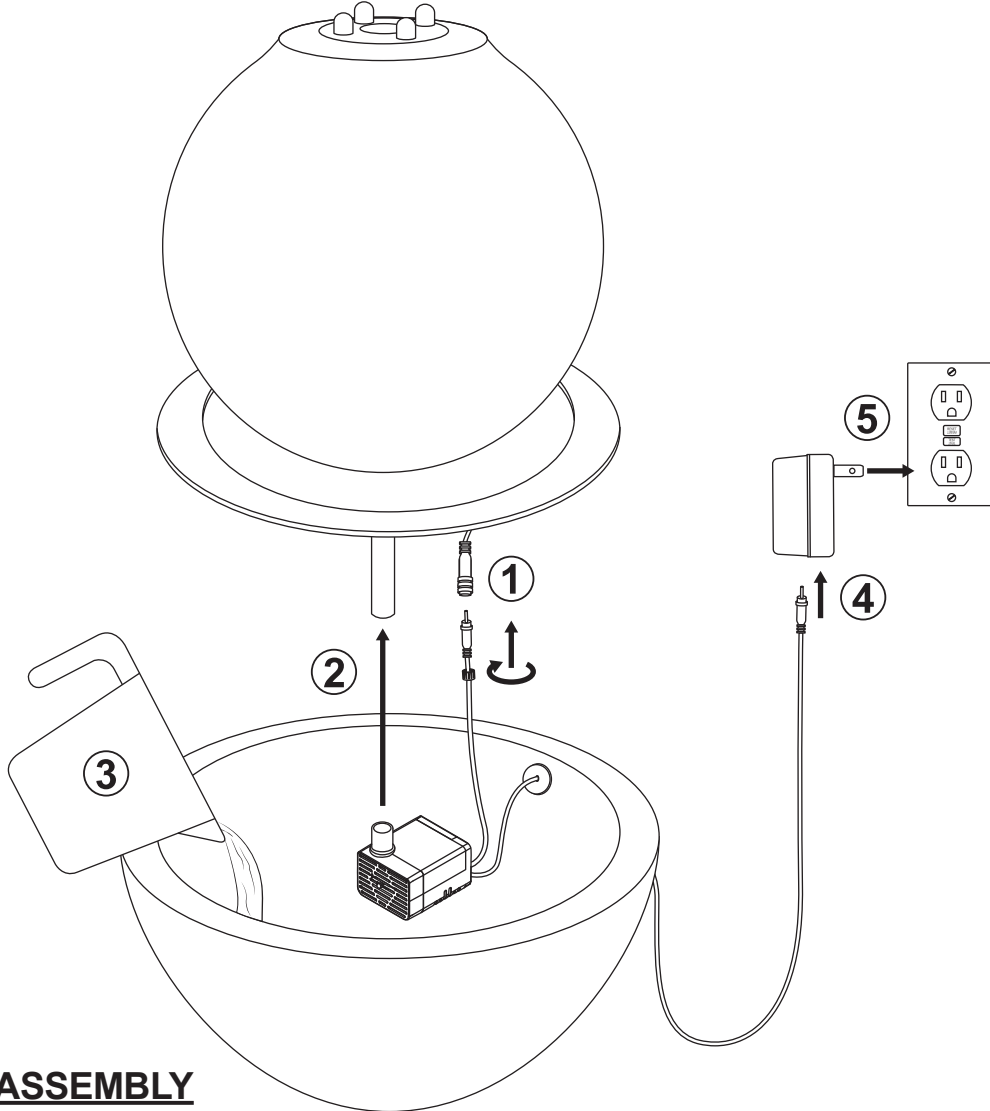




PATTERNED SPHERE INDOOR TABLETOP FOUNTAIN

Review all assembly and care information carefully before using this product. Save this manual for future reference.
Select a smooth, level surface to place the fountain. Assemble components on a soft, clean surface to avoid damaging the finish.



 **Inspect packaging to ensure all parts are accounted for before disposing of packing materials.**
 **Save the packing slip.**

PARTS	QTY.
Fountain Topper	1
Fountain Body with Built-in Electric Submersible Pump	1
AC Adapter	1

IMPORTANT NOTES:

- The water tubing is built into the fountain topper. Take care when handling the water tube; detaching the water tube from the fountain topper will damage the unit and void the warranty.
- Familiarize yourself with the flow control valve on the pump, maximum (+) and minimum (-). This may need to be adjusted to achieve optimal water flow.
- The light and light cable are rated for contact with water. Use care when handling the light, jarring movements or dropping it may cause the light to burn out prematurely.

ASSEMBLY

1. Carefully unwrap the pump that is inside the fountain. Then, connect the light cable on the pump to the light cable on the underside of the fountain topper.
2. Firmly attach the pump to the tubing that is built into the fountain topper; it will be a tight fit. Place the topper onto the fountain body.
3. Fill the water reservoir with enough water to keep the pump fully submerged during operation. **NOTE:** Ensure the water level does not exceed the rubber seal inside the water reservoir, the rubber seal will not completely prevent water from leaking.
4. Connect the AC adapter to the pump power cable.
5. Plug the adapter into a properly grounded GFCI outlet.

NOTE: When first used, there may be air trapped inside the pump. It may take several minutes for trapped air to escape, allowing water to flow. Refer to page 2 for more troubleshooting tips.

Care & Maintenance

- For indoor use only.
- Keep fountain out of reach of children and pets.
- Keep the power cord away from all heat sources. Never use electrical cords in areas with high temperatures.
- Check the water level frequently to ensure the pump remains fully submerged; never allow the pump to run dry as it will burn out the motor.
- Only use water in this fountain. Distilled water will help prevent mineral buildup but is not required. Avoid heavily chlorinated water as it may damage the fountain and pump.
- Periodically change the water to reduce scale and buildup — clean components regularly for optimal performance and appearance. DO NOT use abrasive materials and harmful additives such as bleach or chlorine to clean the fountain or pump.
- Always unplug the fountain before cleaning and maintaining the fountain and recirculating pump.
- Take care when handling the pump; only pick it up by the body of the pump, never by the power cord.
- Although this fountain was designed for indoor use, there is potential for splashing or slow leaks; test the fountain on a water-safe surface. Always protect surfaces that can be damaged by water.

Troubleshooting

- If water is not flowing within several moments of the fountain being plugged in, ensure that the pump is fully submerged underwater. Add water to the reservoir if necessary. The pump may have air bubbles trapped inside, which can prevent water from circulating properly. Unplug the power supply for a few moments and plug it back in.
- Check the flow control on the body of the pump, it may need to be adjusted to achieve the desired water flow rate.
- Inspect the pump and tubing for obstructions.
- Pump noise can be caused by trapped air, low water level, or the pump being too close to the walls of the fountain. While the pump is fully submerged, try gently tapping the pump with your finger to help release the trapped air. Also, check if adding water or moving the pump helps to reduce noise.
- Make sure the AC adapter is fully connected to the pump power cable. If the light is not working, ensure the cables are fully connected, and the seal is adequately tightened (do not over-tighten).
- Make sure the power outlet is working; consult a certified electrician if in doubt about electrical connections.

If you experience issues with assembly, pump operation, or the product was damaged during shipping, please contact our customer service team through one of the methods mentioned at the top of page 1.

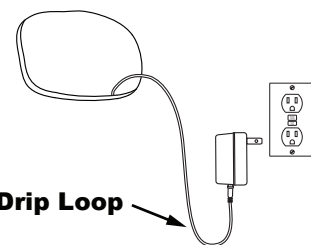
Please have the item number and order information ready to expedite response time.



IMPORTANT SAFETY INFORMATION



- For indoor use only.
- Keep fountain out of reach of children and pets.
- Fountains may splash or leak; always protect surfaces that can be damaged by water.
- Prevent water loss or damage to electrical sockets by ensuring the power cord has a drip loop; a diagram of a drip loop is shown on the right.
- Make sure the power cord is away from traffic areas.
- Keep power cord away from all heat sources. Do not use electrical cords in areas with high temperatures.
- Check the water level frequently to ensure the pump remains fully submerged; never allow the pump to run dry as it will burn out the motor.
- Always unplug the power supply before cleaning and maintaining the fountain and the recirculating pump.
- Take care when handling the pump; only pick it up by the body of the pump, never by the power cord.



Drawing is for visual reference only, cord placement and plug type vary by fountain style.

Any modification to the product or failure to follow recommended care will void the product warranty.

WARNING!

Manufacturer and seller expressly disclaim any and all liability from personal injury, property damage or loss, whether direct or indirect, or incidental, resulting from the incorrect attachment, improper use, inadequate maintenance, or neglect of this product.