

# ASSEMBLY INSTRUCTION





Item: 6850-75201T-89 Round Dining Table Top




Thank you for purchasing this quality product. Be sure to unpack carefully looking for small parts which may have come loose during shipment.

Read all instruction and study the drawing carefully before starting the assembly process.

**HARDWARE PACK**

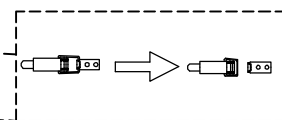
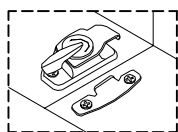
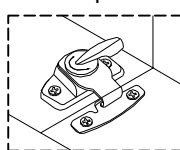
**PART LIST**

NO.	DRAWING	DESCRIPTION	SIZE	QTY
A		Bolt	$\frac{5}{16}$ " $\times$ 1- $\frac{1}{2}$ "	4pcs
B		Flat washer	$\frac{5}{16}$ " $\times$ 19 $\times$ 2	4pcs
C		Lock washer	$\frac{5}{16}$ " $\times$ 12 $\times$ 3	4pcs
D		Allen key	5mm	1pc

NO.	DRAWING	DESCRIPTION	QTY
①		Table top	1pc
②		Adjust table	1pc
③		Leg	1pc

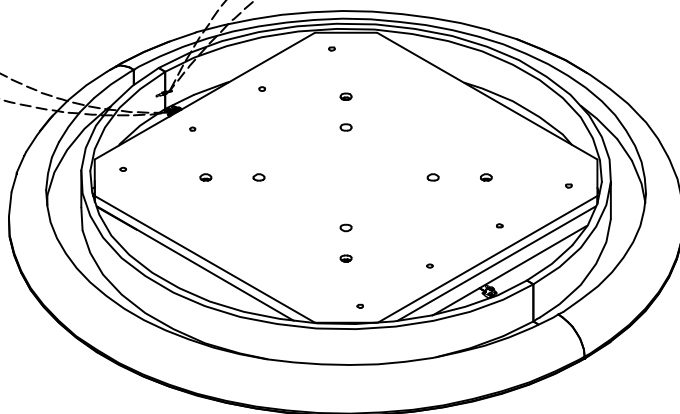
**TABLE LOCK**  
Closed position

**TABLE LOCK**  
Open position

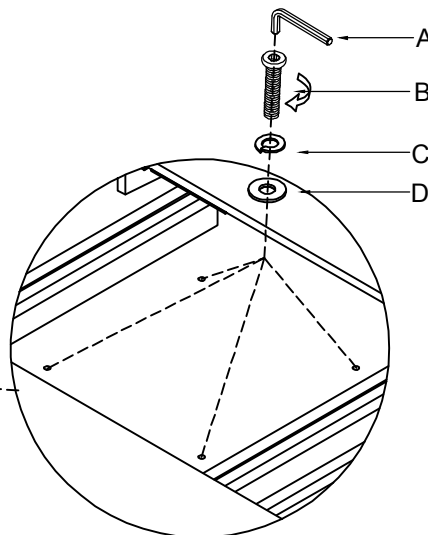
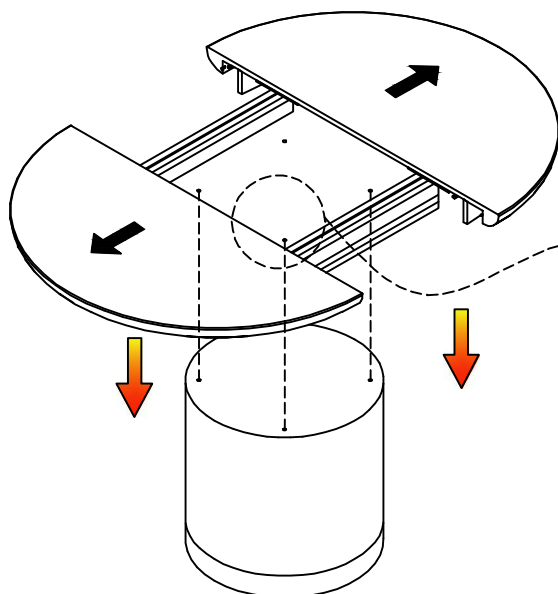


Lock

Unlock



Step 1



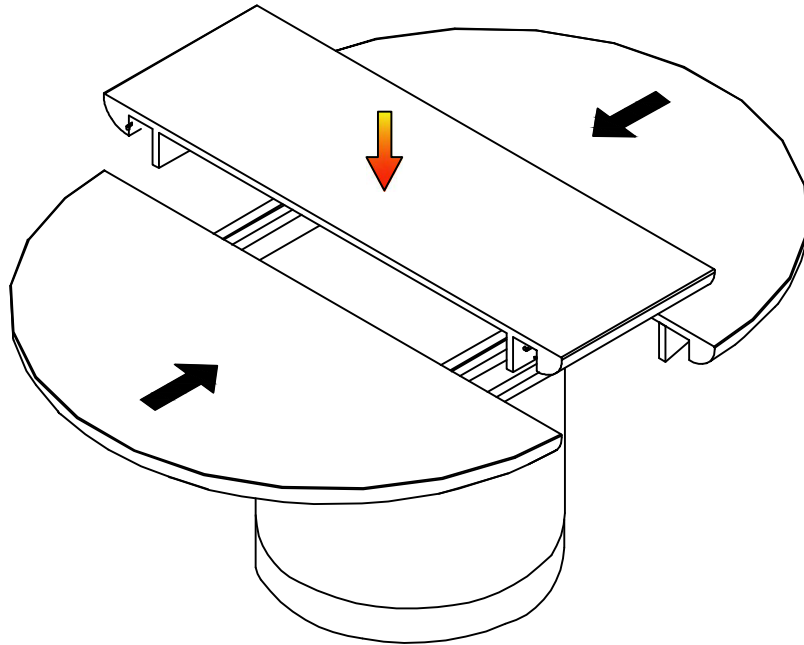
Step 2

Adjust levelers if needed, to level case on uneven floor

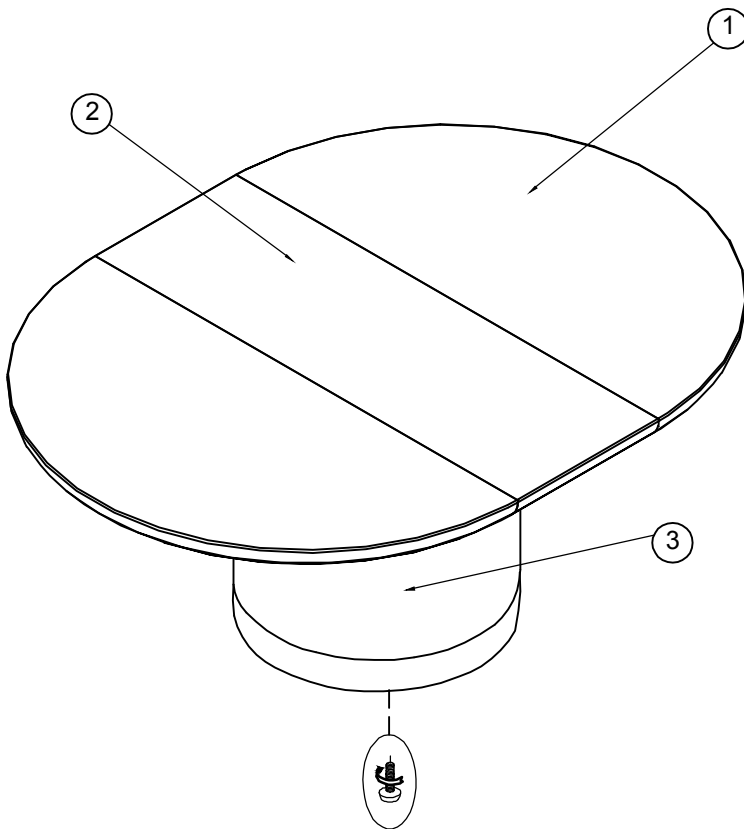
# ASSEMBLY INSTRUCTION

Item: 6850-75201T-89 Round Dining Table Top

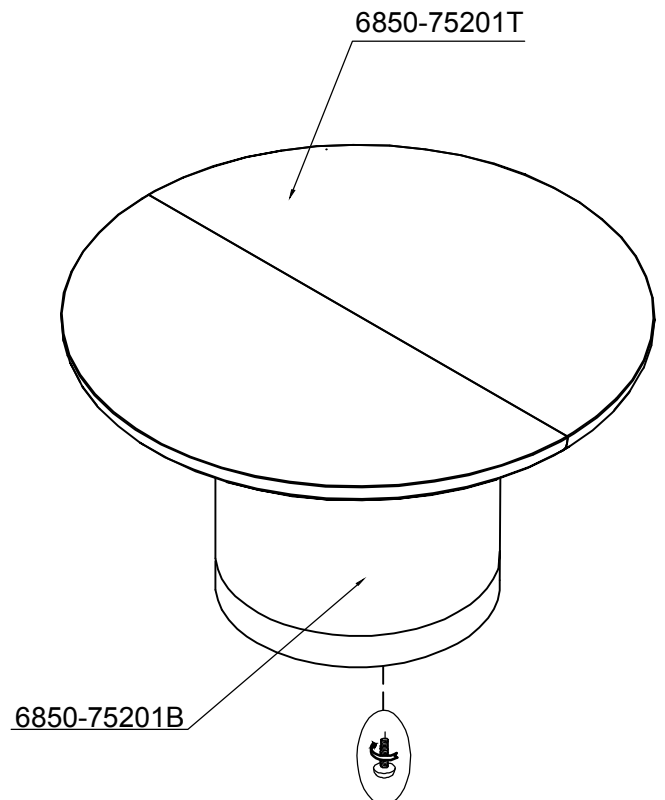
Thank you for purchasing this quality product. Be sure to unpack carefully looking for small parts which may have come loose during shipment.  
Read all instruction and study the drawing carefully before starting the assembly process.



Step 3



Adjustable leveler



Adjustable leveler

# ASSEMBLY INSTRUCTION

Item: 6850-75201B-89 Round Dining Table Base

Thank you for purchasing this quality product. Be sure to unpack carefully looking for small parts which may have come loose during shipment.

Read all instruction and study the drawing carefully before starting the assembly process.

