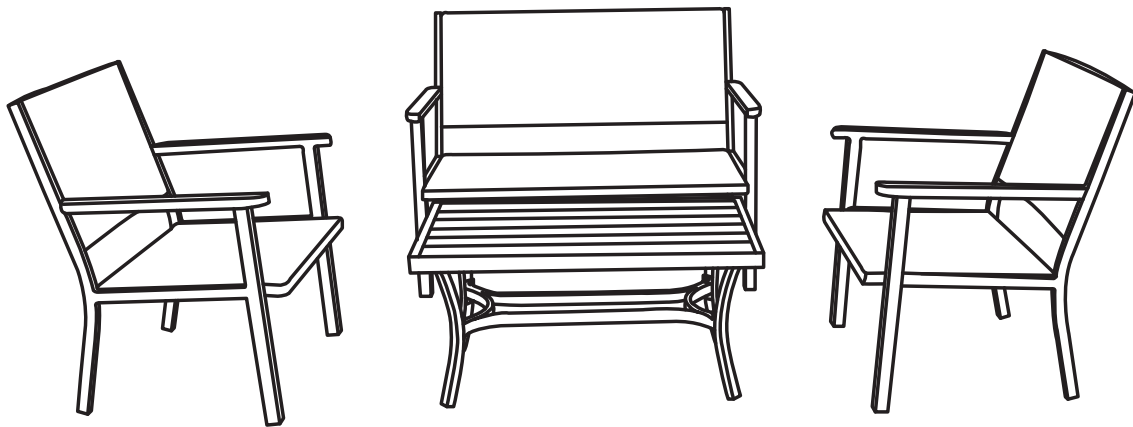


ASSEMBLY INSTRUCTIONS

PT-OF0002



PLEASE CALL CUSTOMER SERVICE

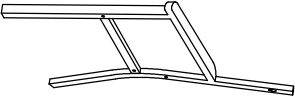
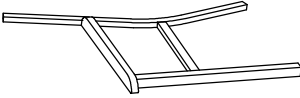
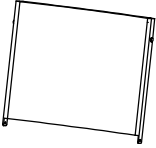
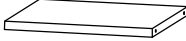
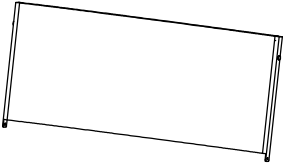

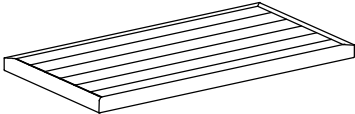

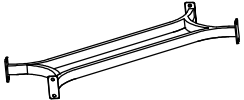
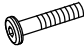
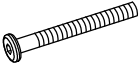




1-800-935-3959
9am-5pm EST, Mon-Fri

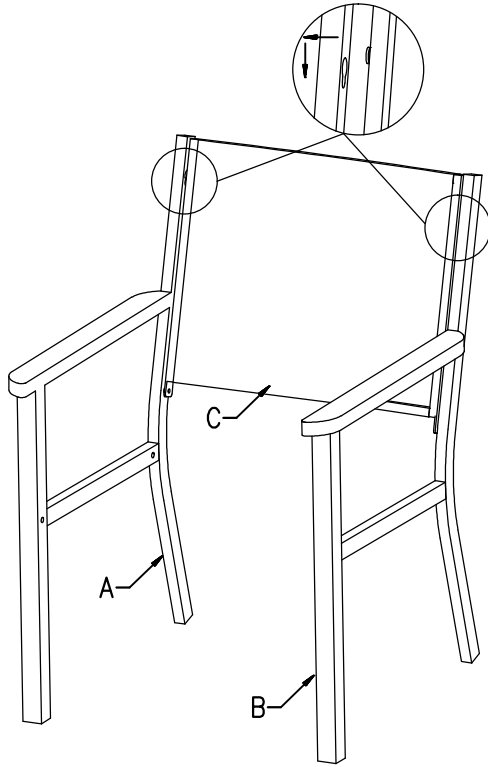


support@teamson.com

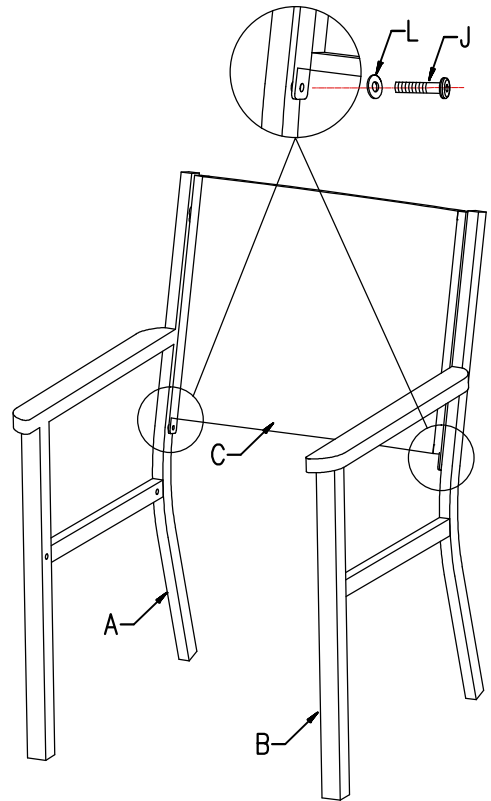
ASSEMBLY INSTRUCTION

A		3PCS	B		3PCS
C		2PCS	D		2PCS
E		1PC	F		1PC
G		1PC	H		4PCS
I		1PC	J	 M6*15	18PCS
K	 M6*35	12PCS	L		30PCS
AA		2PCS			

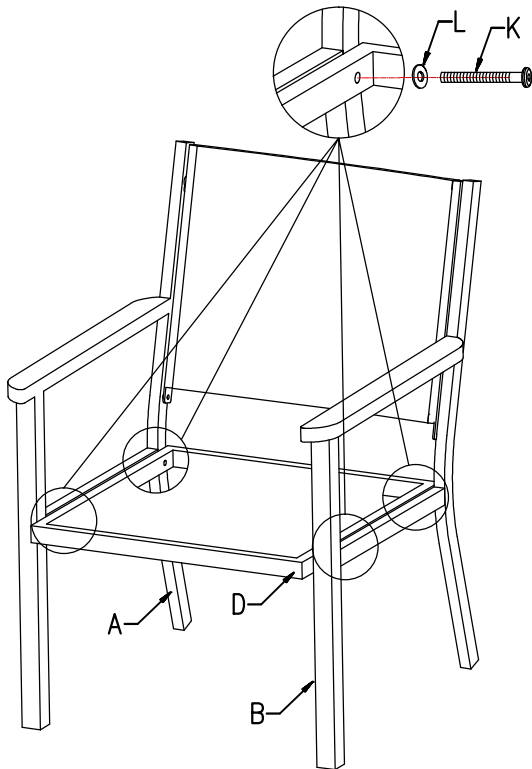
STEP 1



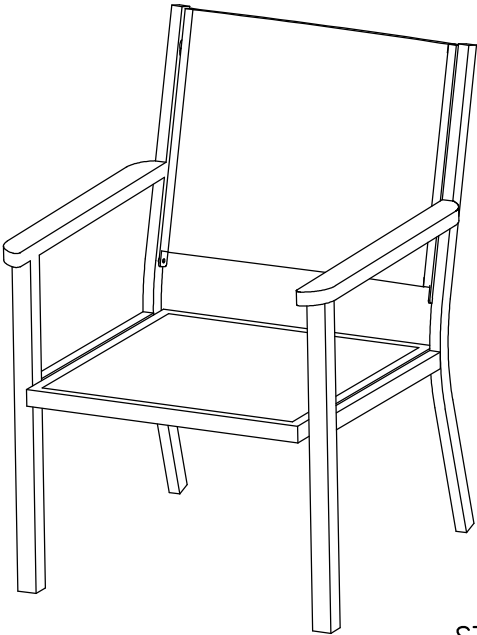
STEP 2



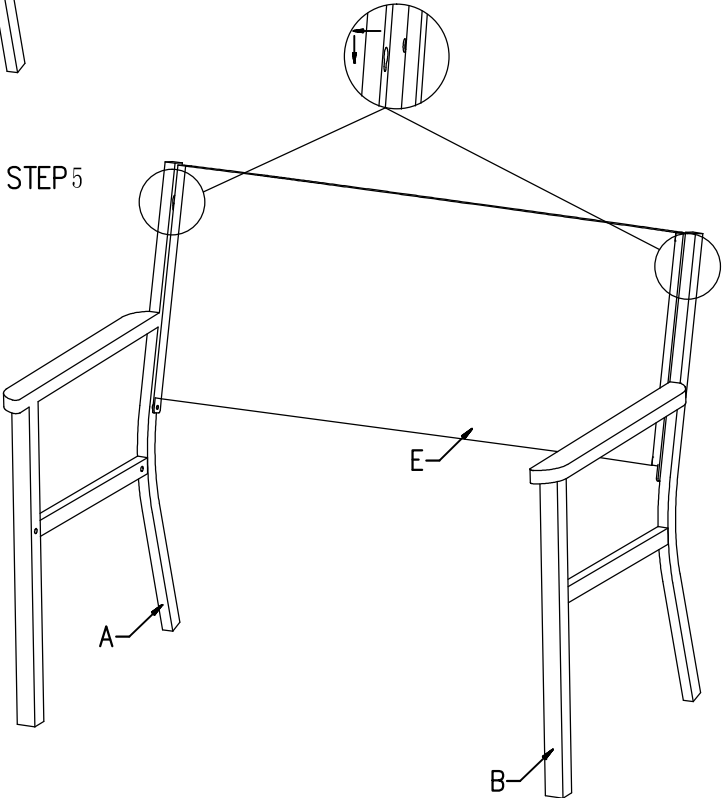
STEP 3



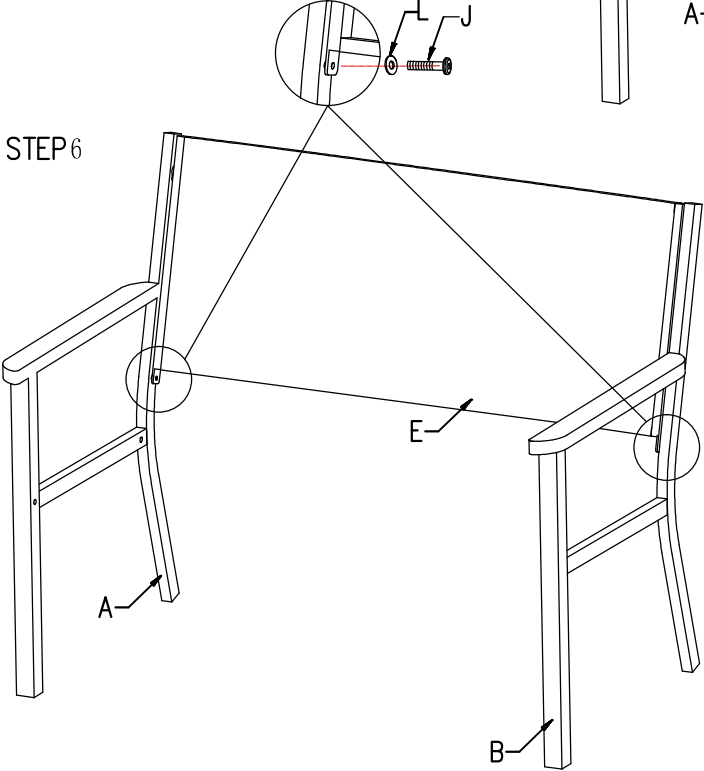
STEP 4



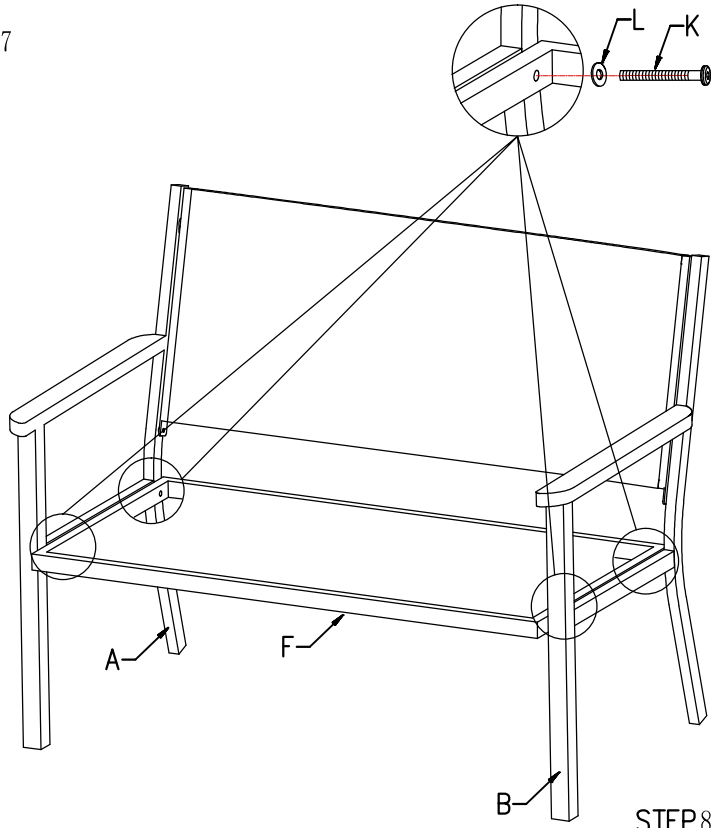
STEP 5



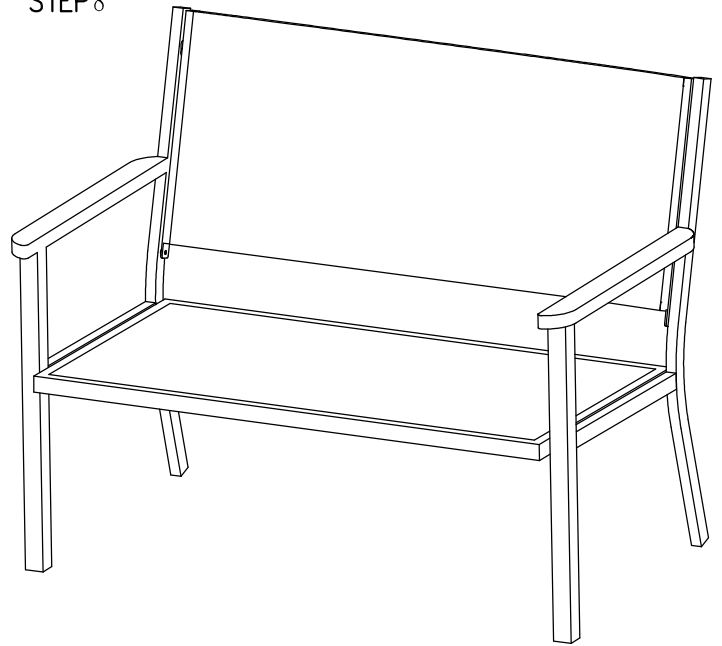
STEP 6



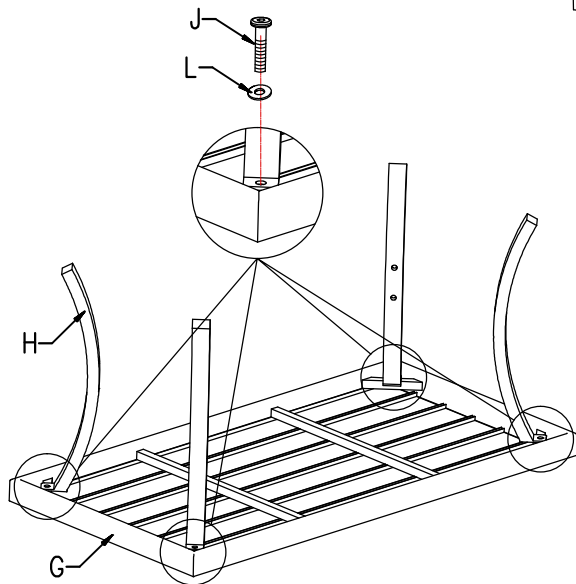
STEP 7



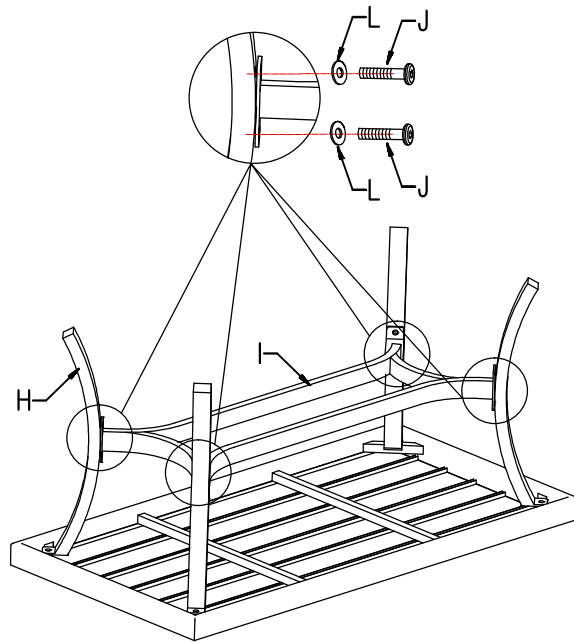
STEP 8



STEP 9



STEP 10



STEP 11

