

Adventure Starts Here.

21" SQUARE SIDE TABLE

SEAHAWK
DESIGNS
EST. 2005

! NOTICE

- Do not overtighten hardware.
- Do not exceed the weight capacity of this item.
- Only use this item for what it is intended for, improper use will void any warranty.
- Firmly secure all bolts, screws and nuts before use.
- Reconfirm that all bolts, screws, and nuts are firmly secured every 90 days.
- Keep this furniture clear of all uncontrolled open flames or flammable/combustible materials. Exposure to fire, high heat, or embers will permanently damage the material.
- To avoid stripping and cracking of the material, DO NOT use power tools for assembly.
- Always practice safety and caution during the assembly process.

TOOLS REQUIRED



ALLEN WRENCH
(PROVIDED)



220 LBS
WEIGHT
CAPACITY



SUGGESTED
1 PERSON
ASSEMBLY



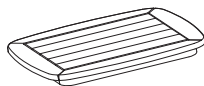
ESTIMATED
ASSEMBLY
TIME: 20 MIN

HARDWARE**1****BOLT**
M6 x 30mm

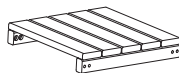
12 PCS

2**SCREW HOLE PLUG**

12 PCS

PARTS**A****TABLE TOP**

1 PC

B**SHELF**

1 PC

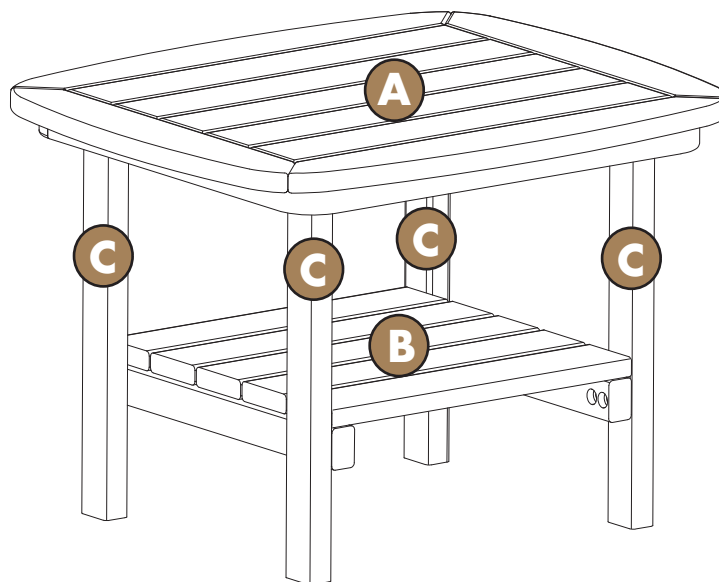
C**TABLE LEG**

4 PCS

PRODUCT ASSEMBLY - OVERALL VIEW

REF#: OP8044

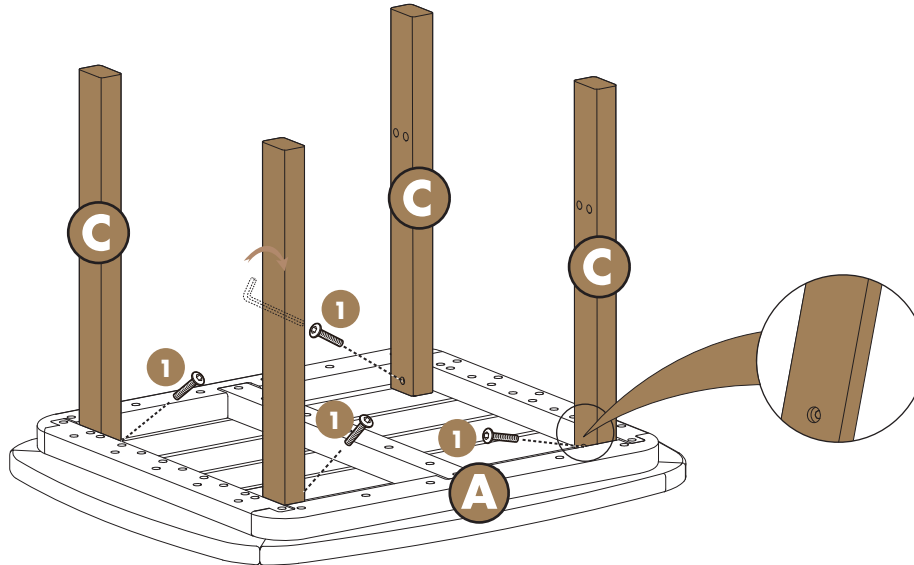
Please refer back to this image during the assembly process for part placement.



1

Step 1: Assemble the Table Top and the Legs

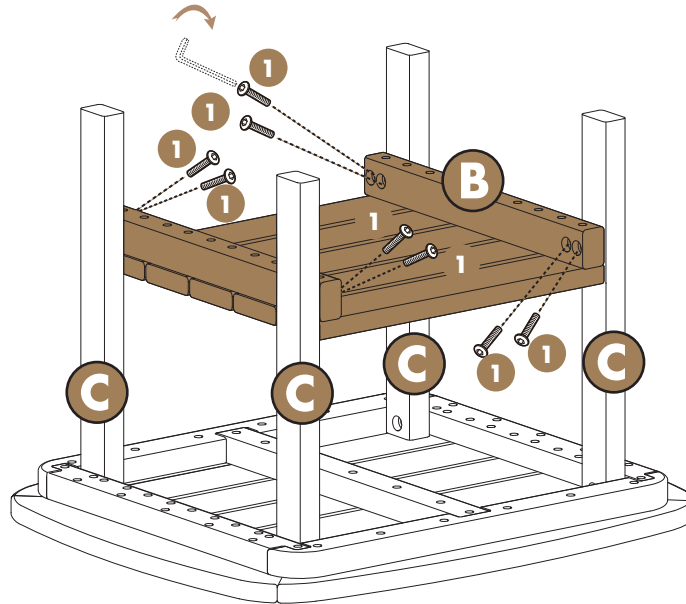
- Place **Part A (Table Top)** on a flat, stable surface.
- Attach **4 - Part C (Table Leg)** to **Part A (Table Top)** using **4 - M6 Bolt (#1)** (see image below).
- Do not fully tighten the bolts yet. Tighten them to approximately 70% to allow for adjustments during final assembly.



2

Step 2: Attach the Shelf to the Assembled Frame

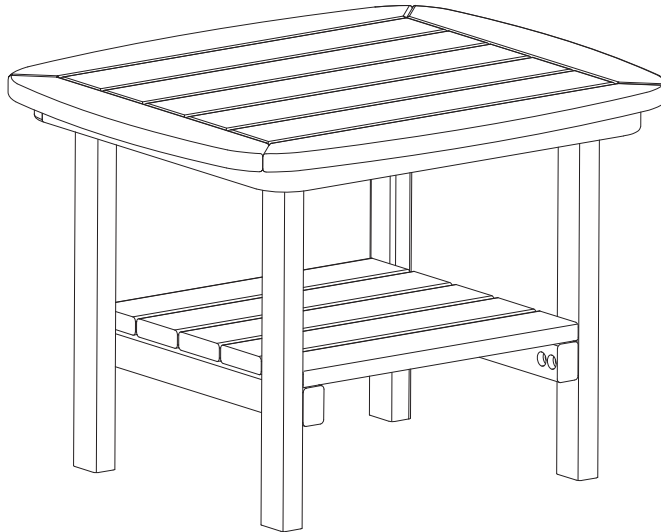
- Place **Part B (Shelf)** between legs, use **8 - M6 Bolt (#1)** to secure it to **4 - Part C (Table Leg)** (see image below).



3

Step 3: Final Tightening and Stability Check

- Tighten all previously installed screws, bolts, and nuts. Check every connection to ensure the table is steady and stable.



4

Step 4: Apply the Screw Hole Plugs

- Cover all exposed screw holes using **12 - Screw Hole Plug (#2)**. Insert all plugs into the exposed screw holes. Gently tap each plug into place using a rubber mallet to prevent damage. Ensure each plug is fully seated and flush with the table surface (see image below).

ATTENTION: Do not use a metal hammer as it will damage the poly lumber.



CLEANING TIPS

- **REGULAR CLEAN:** Mix **warm water** and **mild soap**. Use a **soft bristle brush** to gently scrub the surface and remove any dirt or stains.
- **QUICK CLEAN:** Simply wipe the furniture down using a damp cloth.

Tip: Cleaning your furniture regularly helps maintain its aesthetic appeal and extends its lifespan.

Enjoy!

Join our community and be the first to see what's new!

Follow us on socials:



Quickly register your outdoor furniture purchase to activate your warranty and enjoy peace of mind with guaranteed product protection:



Have questions or need assistance? Reach out to our dedicated team at **(909) 284-1052** or email us at **cs@seahawkdesigns.com**.