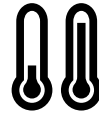


UV652



65" UltraView™ UHD Outdoor TV

The UltraView™ UHD Outdoor TV is an all-season solution for outdoor entertainment and living. This outdoor TV is all weather rated, maintenance-free and has an operating temperature range of -22°F to 122°F. With 4K resolution and an IPS panel, the UltraView meets the full UHD specifications, providing exceptional color and video quality from any viewing angle. The TV is also equipped with a High TNI panel, which allows for direct sunlight readability without the risk of isotropic blackout. Whether you want an outdoor TV above your backyard fireplace or by the pool, quality outdoor entertainment is now a reality with UltraView.



Operating Temperature Range:
-22°F - 122°F
(-30°C - 50°C)

4K ULTRA HD™

- Operating temperature range of -22°F to 122°F
- High TNI panel allows for direct sunlight readability without the risk of isotropic blackout
- IPS panel allows for accurate color representation when viewing off axis
- USB media support allows still images, video and audio to be played from an attached USB flash drive
- IR extender provides flexibility for integration with control systems
- Supports HDMI 2.0 and HDCP 2.2 for increased compatibility with 4K sources
- Waterproof universal remote can control up to 3 additional devices
- Internal speakers provide excellent sound without detracting from the TV's aesthetics
- Optional Accessory: Xtreme™ Outdoor Soundbar mounts right below or above the TV



MAINTENANCE-FREE DESIGN
No need to ever change filters

RUGGED EXTERIOR
Aluminum construction materials provide the ultimate defense against weather and discoloration

IPS PANEL
Provides exceptional picture quality from any angle



Waterproof Universal Remote



Sealed cable entry helps prevent water and debris from getting inside



UV652 65" UltraView™ UHD Outdoor TV

LCD Display

SCREEN SIZE	65" diagonal
ASPECT RATIO	16:9
RESOLUTION	3840 X 2160
BRIGHTNESS	500cd/m ²
CONTRAST RATIO	1100:1
VIEWING ANGLE	178° Vertical/Horizontal
RESPONSE TIME	8 ms (Gray to Gray)
REFRESH RATE	60Hz
OPERATING TIME	16/7

Environmental

STORAGE AND OPERATING TEMPERATURE	-22°F to 122°F (-30°C to 50°C)
IP RATING	IP55

Mechanical

SIZE (W x H x D)	59.11" x 34.51" x 4.00" (1501 x 877 x 102mm)
INPUT COMPARTMENT (W x H x D)	11.016" x 4.450" x 2.38" (280 x 113 x 60mm)

TV Controller Features

ANALOG TV	NTSC
DIGITAL TV	ATSC, MPEG4, QAM256, H.264
PICTURE ADJUSTMENT	Brightness/Contrast/Tint Sharpness/Color/Noise Reduction
PICTURE MODE	Standard, Dynamic, Personal, Theater
COLOR TEMPERATURE ADJUSTMENT	Cool, Normal, Warm
SCREEN ADJUSTMENT	4:3, 16:9, Full, Zoom
CLOCK, SLEEP TIMER	Yes
V-CHIP	Yes

Power

AC INPUT	110 VAC to 240 VAC, 50 to 60 Hz
POWER CONSUMPTION	Nominal - 141W Max - 174W

Input/Output Connections

TV INPUT	Coax, 75 ohm (x1)
VGA INPUT	15 pin D-SUB (x1)
HDMI INPUT	HDMI 2.0, HDCP 2.2 (x3), 480p, 720p, 1080i, 1080p, 2160p
DISPLAY PORT	DisplayPort (x1), 480i, 480p, 720p, 1080i, 1080p, 2160p
CVBS INPUT	3.5mm (x1)
YPBPR INPUT	3.5mm (x1), 480i, 480p, 720p, 1080i
VGA STEREO AUDIO INPUT	3.5mm (x1)
AUDIO STEREO OUTPUT	5W + 5W, Analog 3.5mm Headphone Jack
USB 2.0	USB A (Female) (x1)
RS232	DB-9 (Female)
TOSLINK DIGITAL AUDIO OUTPUT	Optical (x1)
IR EXTENDER	3.5mm (x1)
5VDC 2.4A OUTPUT (USB POWER)	USB A (Female) (x1)
12VDC 2.5A OUTPUT	Barrel 2.5mm (ID), 5.5mm (OD) (x1)

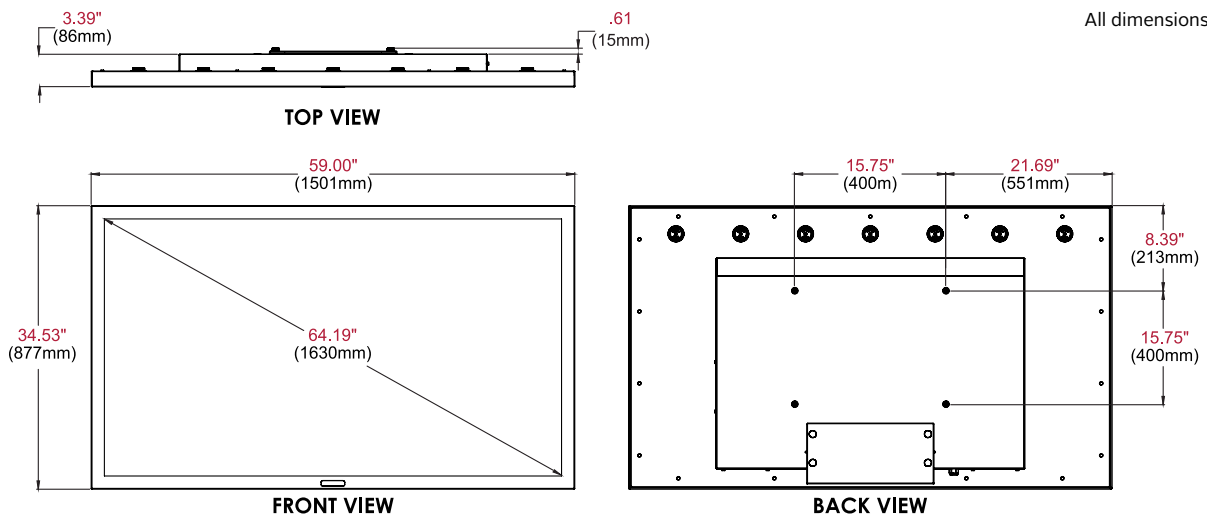
VESA® PATTERN	400 x 400mm
NET WEIGHT	87.5lb (39.69kg)
COLOR	Black

Package Specifications

	PACKAGE SIZE (W x H x D)	PACKAGE SHIP WEIGHT	PACKAGE UPC CODE	PACKAGE CONTENTS	UNITS IN PACKAGE
UV652	63.98" x 39.06" x 8.35" (1625 x 992 x 212mm)	107.5lb (48.76kg)	735029314370	Display, Universal Remote Control, Manual, Input Cover Panel, Display Cover and IR Extender	1

Accessories

- EPT650:** Outdoor Universal Tilt Wall Mount
- ESA763PU:** Outdoor Articulating Wall Mount
- SPK-O80:** Xtreme™ Outdoor Soundbar
- HDS-OWRE-300:** Wireless Outdoor Integration Module
- ACCD-05K:** 5V DC Power Kit
- ACCD-12K:** 12V DC Power Kit
- ACCD-ALG:** Analog Accessory Kit



Architect Specifications

The UltraView™ UHD Outdoor TV shall be a Peerless-AV model UV652 and shall be located where indicated on the plans. Assembly and installation shall be done according to instructions provided by the manufacturer.

Visit peerless-av.com to see the complete line of AV solutions from Peerless-AV, including outdoor displays, kiosks, digital audio, display mounts, projector mounts, carts/stands, and a full assortment of accessories.

Peerless-AV
 2300 White Oak Circle
 Aurora, IL 60502 USA
(800) 865-2112
(630) 375-5100
Fax: (800) 359-6500

Peerless-AV EMEA
 Unit 3 Watford Interchange
 Colonial Way, Watford
 Herts, WD24 4WP
 United Kingdom
+44 (0) 1923 200100
Fax: +44 (0) 1923 200101

Peerless-AV Latin America
 Av. de las Industrias 413
 Parque Industrial Escobedo
 General Escobedo, N.L.,
 México, 66062
+52 (81) 8384-8300
Fax: +52 (81) 8384-8360

