

JASPER SQUARE COFFEE TABLE ASSEMBLY INSTRUCTIONS

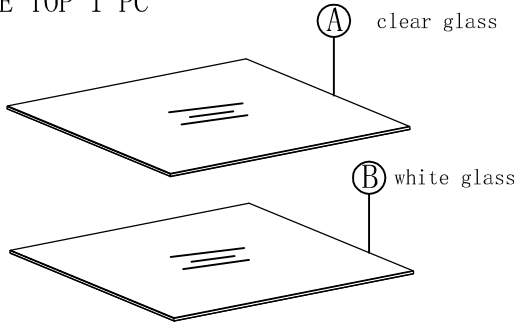


PARTS/PACKAGING CONFIGURATION

BOX #1

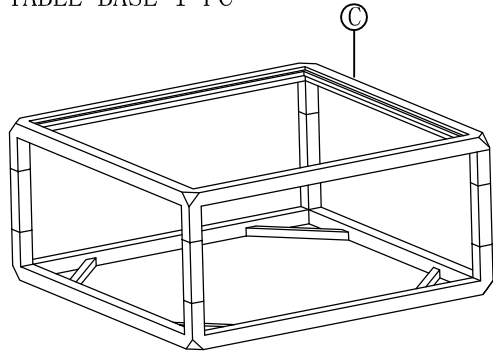
A. TABLE TOP 1 PC

B. TABLE TOP 1 PC



BOX #2

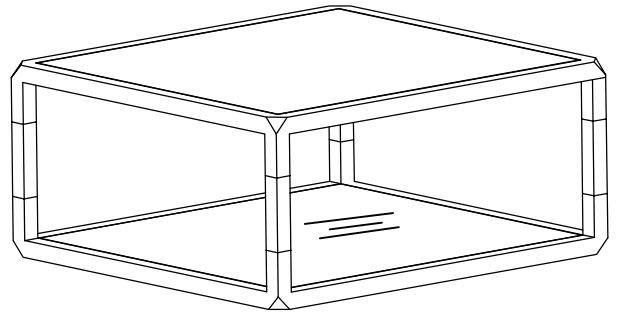
C. TABLE BASE 1 PC



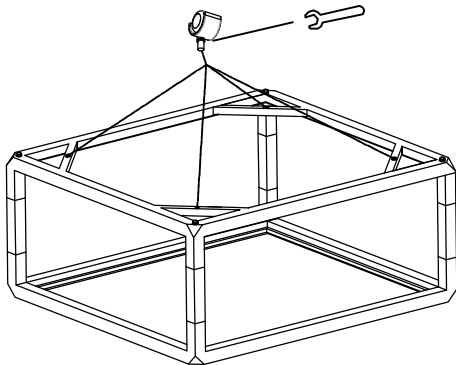
HARDWARE PACKED IN BOX #2

NO	DESCRIPTION	PHOTO	QUANTITY
1	CASTER		4pcs
2	SPANNER		1pcs

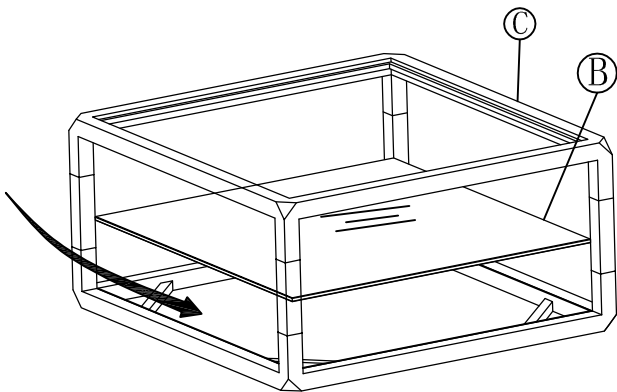
JASPER SQUARE COFFEE TABLE FULLY ASSEMBLED



OPTIONAL: INSTALL WITH CASTERS
STEP 1:



OPTIONAL: INSTALL WITHOUT CASTERS
STEP 2:



NOTE: INSERT BOTTOM GLASS THROUGH SIDE

STEP 3:

