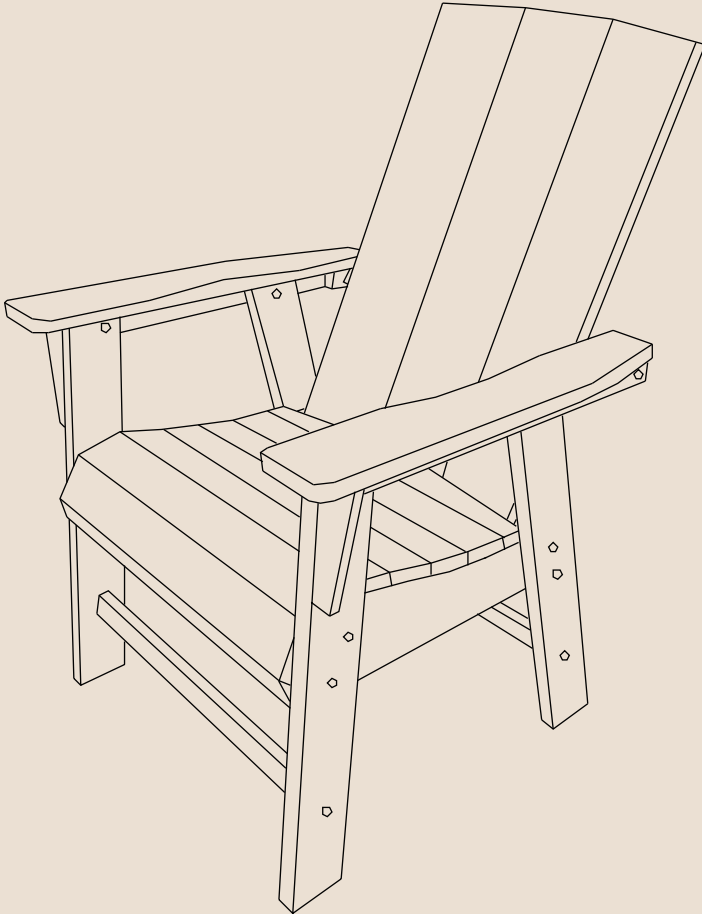


WWT
WESTINTRENDS
WWT

DESIGNED IN CALIFORNIA



— MODERN CURVEBACK ADIRONDACK
DINING CHAIR —

THANK YOU!

We appreciate you for choosing WestinTrends!

Thank you for letting WestinTrends continue to offer accessible luxury trends, inspired by everyone!

JOIN THE WESTINTRENDS COMMUNITY

Sign up here:

[***https://westintrends.com/welcome***](https://westintrends.com/welcome)



QUESTIONS OR COMMENTS?

If you have questions reach out to
[**cs@westintrends.com**](mailto:cs@westintrends.com)

FOLLOW, SHARE, & LEARN



PRODUCT REGISTRATION

[***https://westintrends.com/apps/product-registration***](https://westintrends.com/apps/product-registration)



ACCESSIBILITY - COMMUNITY - VALUE - SUSTAINABILITY

! NOTICE

Do not overtighten screws. (Insert all screws before tighten screws.)

- Please do not exceed the weight limitations of this item.
- Do not stand on or use any part of this item as a step ladder.
- Firmly secure all bolts, screws and nuts before use.
- Reconfirm that all bolts, screws, and nuts are secure every 90 days.
- Do not use or store this item in the proximity of open flame or flammable/combustible chemicals.
- Be aware that some parts are heavy and have sharp edges.
- Please adjust the speed slowly when you use electric drill for assembling to avoid screw slippage.

TOOLS REQUIRED



ALLEN WRENCH
(PROVIDED)



WRENCH
(PROVIDED)



CHAIR
330 LBS
CAPACITY



1 PERSON
ASSEMBLY



UP TO 30 MIN.
ASSEMBLY

HARDWARE

1

SCREW
M6 x 80mm



4 PCS

2

BOLT
M6 x 55mm



10 PCS

3

BOLT
M6 x 45mm



4 PCS

4

M6 NUT



10 PCS

5

M6 WASHER



10 PCS

6

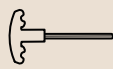
WRENCH



1 PC

7

ALLEN
WRENCH

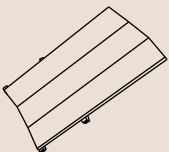


1 PC

PARTS

A

CHAIR BACKREST



1 PC

B

CHAIR SEAT



1 PC

C

RIGHT CHAIR ARM



1 PC

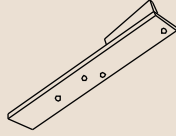
PARTS

D LEFT CHAIR ARM



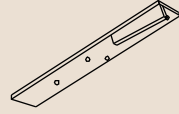
1 PC

E RIGHT CHAIR LEG



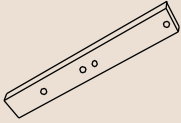
1 PC

F LEFT CHAIR LEG



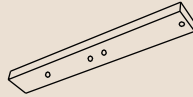
1 PC

G RIGHT REAR LEG



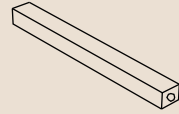
1 PC

H LEFT REAR LEG



1 PC

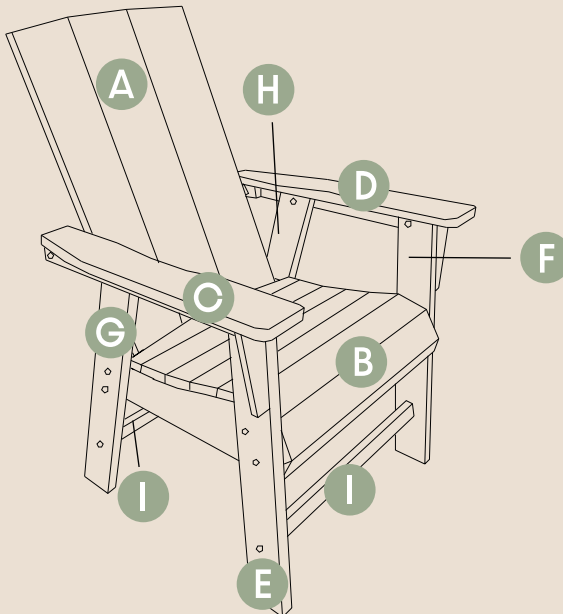
I RAIL



2 PCS

PRODUCT ASSEMBLY - OVERALL VIEW

Look at the overall view of this chair and learn the exact position of each part to be assembled.

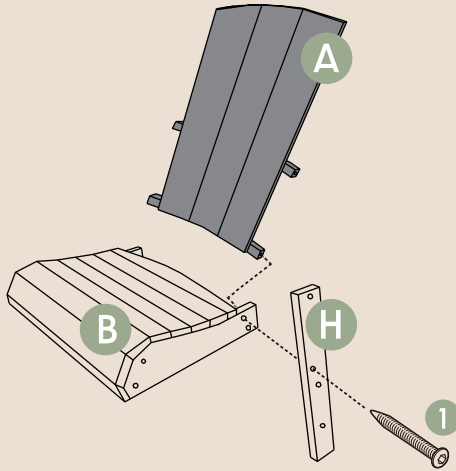


PRODUCT ASSEMBLY

1

Place **Part A Chair Backrest** and **Part B Chair Seat** as below, attach **Part H Left Rear Leg** to **Part B Chair Seat** and **Part A Chair Backrest** with 1 pc of **Hardware #1 Screw**.

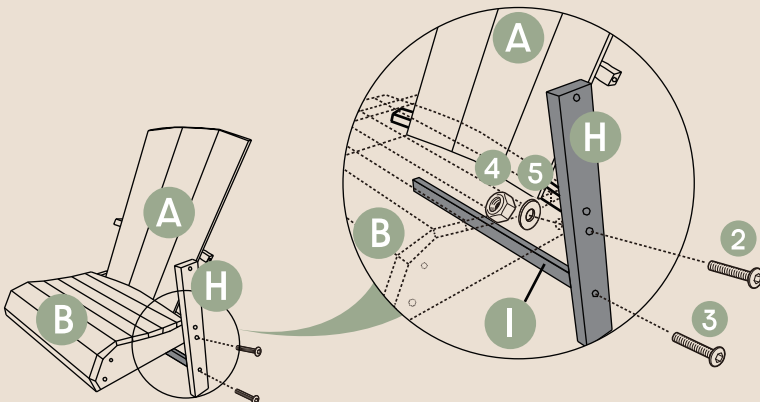
Do not tighten screws too much at this stage.



2

Attach **Part H Left Rear Leg** to **Part B Chair Seat** with 1 set of **Hardware #2 Bolt**, **Hardware #5 Washer** and **Hardware #4 Nut**.

Attach **Part I Back Rail** to **Part H Left Rear Leg** with 1 pc of **Hardware #3 Bolt**.

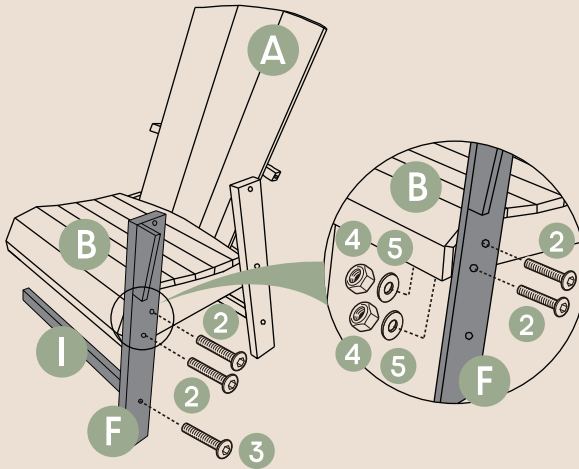


PRODUCT ASSEMBLY

3

Attach **Part F Left Chair Leg** to **Part B Chair Seat** with 2 sets of **Hardware #2 Bolt**, **Hardware #5 Washer** and **Hardware #4 Nut**.

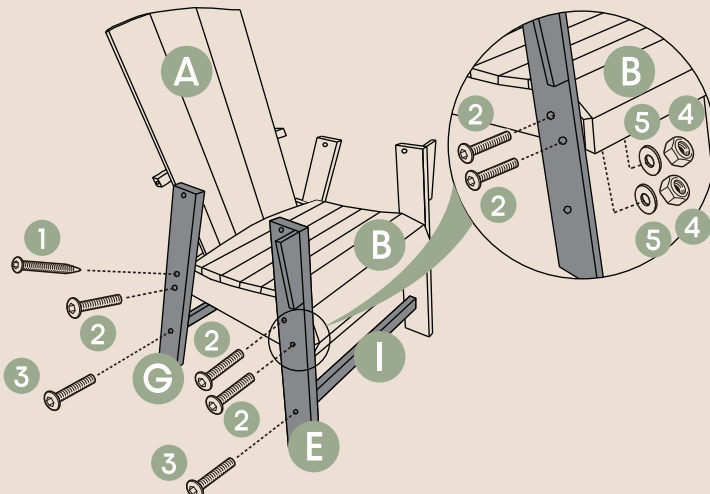
Attach **Part I Front Rail** to **Part F Left Chair Leg** with 1 pc of **Hardware #3 Bolt**.



4

Do the same to attach **Part E Right Chair Leg** and **Part G Right Rear Leg** to **Part A Chair Backrest** and **Part B Chair Seat** with 3 sets of **Hardware #2 Bolt**, **Hardware #5 Washer** and **Hardware #4 Nut** as well as 1 pc of **Hardware #1 Screw**.

Attach **Part E** and **Part G Chair Legs** to **Part I Rails** with 2 pcs of **Hardware #3 Bolt**.



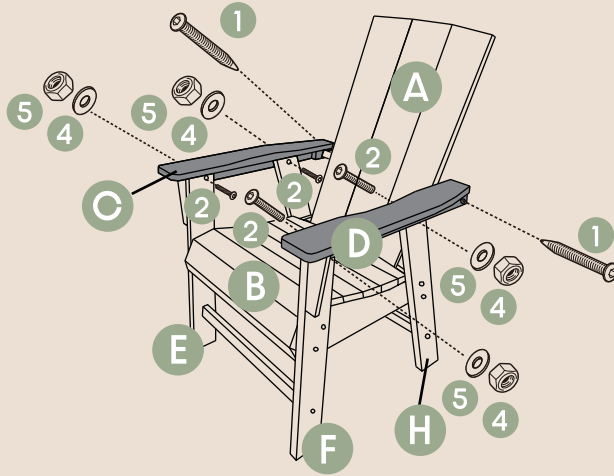
PRODUCT ASSEMBLY

5

Attach **Part D Left Chair Arm** to **Part A Chair Backrest** with 1 pc of **Hardware #1 Screw**.

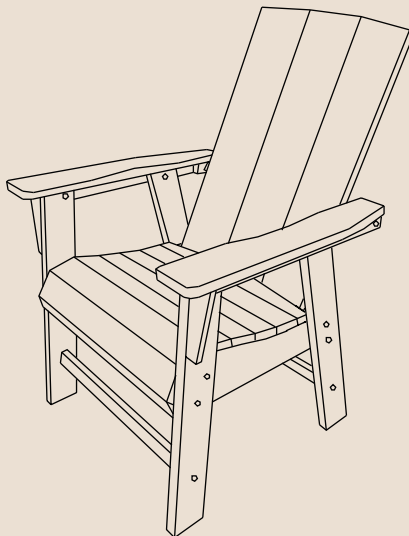
Attach **Part D Left Chair Arm** to **Part F Left Chair Leg** and **Part H Left Rear Leg** with 2 sets of **Hardware #2 Bolt**, **Hardware #5 Washer** and **Hardware #4 Nut**.

Do the same to attach **Part C Right Chair Arm** to the chair to finish the assembly.



6

Tighten all the bolts and screws again to ensure this chair is steady enough to use.



REGISTRATION & REFUND POLICY

<https://westintrends.com/apps/product-registration>



<https://westintrends.com/policies/refund-policy>



HAVING TROUBLE

Not sure how to assemble or missing pieces?

Please contact our Customer Service Team for assistance at cs@westintrends.com

Have Order #, Part # or SKU ready to speed up customer service!

CLEANING TIPS

REGULAR CLEAN: Use a mixture of warm water and mild soap. Gently scrub the surface with a soft bristle brush to remove any dirt or stains.

QUICK CLEAN: You can simply wipe down the HDPE furniture with a damp cloth. The material's resilience makes it resistant to most spills and stains, ensuring a hassle-free maintenance routine.

Regular cleaning not only preserves the aesthetic appeal of your furniture but also helps extend its lifespan.

Pressure washer can be used for seriously deep-cleaning - **DO NOT exceed 1500 PSI** - this will remove debris and dirt.