

Installation Instructions

Medicine Cabinet

Record your model number:

Noter le numéro de modèle:

Anote su número de modelo: _____

Français, page 14

Español, página 27

KOHLER®

Thank You for Choosing KOHLER

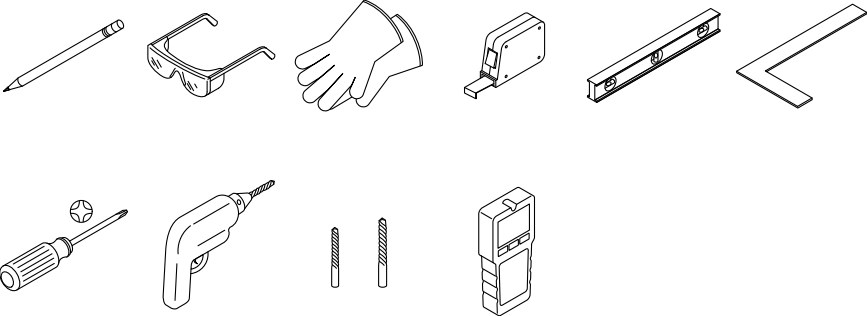
Need help? Contact our Customer Care Center.

- USA/Canada: 1-800-4KOHLER (1-800-456-4537) Mexico: 001-800-456-4537
Hours of Operation: Monday-Friday 8:00 AM -5:00 PM (CT)
Languages Spoken: English, Spanish, and translation services are available.
- Service parts: kohler.com/serviceparts
- Care and cleaning: kohler.com/clean
- Patents: kohlercompany.com/patents

Warranty

This product is covered under the KOHLER® One-Year Limited Warranty, found at kohler.com/warranty. For a hardcopy of warranty terms, contact the Customer Care Center.

Tools and Materials



3/32" 3/16" Stud Finder

Plus:

- Framing and Drywall Tools

- 2x4s for Framing
- Drywall and Framing Fasteners

Before You Begin



CAUTION: Risk of electric shock. Electrical wiring may need to be relocated.

IMPORTANT! Reroute any electrical wires or water supply piping from the wall cavity. If you encounter any drain piping or vent piping, or if your wall is a load-bearing wall, consult a professional before proceeding.

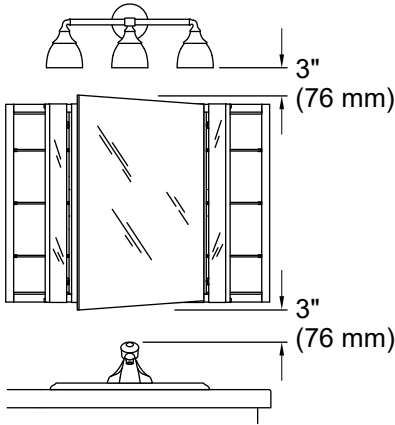
NOTICE: The wall cavity must be framed. The cabinet must be secured to framing studs.

NOTE: If purchased, install the surround before the cabinet. Follow the instructions packed with the surround.

NOTE: The cabinet can be rotated during the installation for left or right door swing.

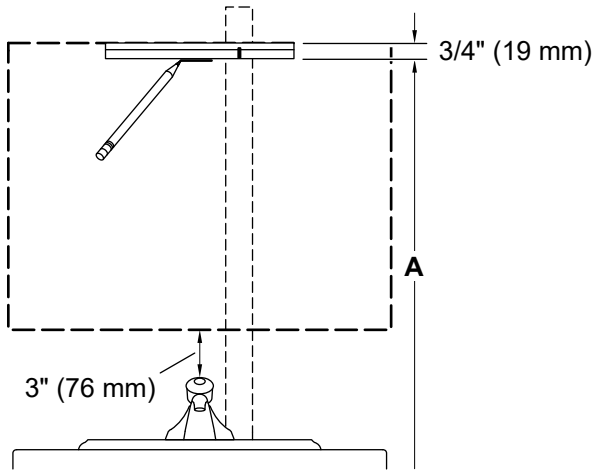
Your product may appear different than the one illustrated. The installation procedure is the same.

1. Verify Minimum Clearances



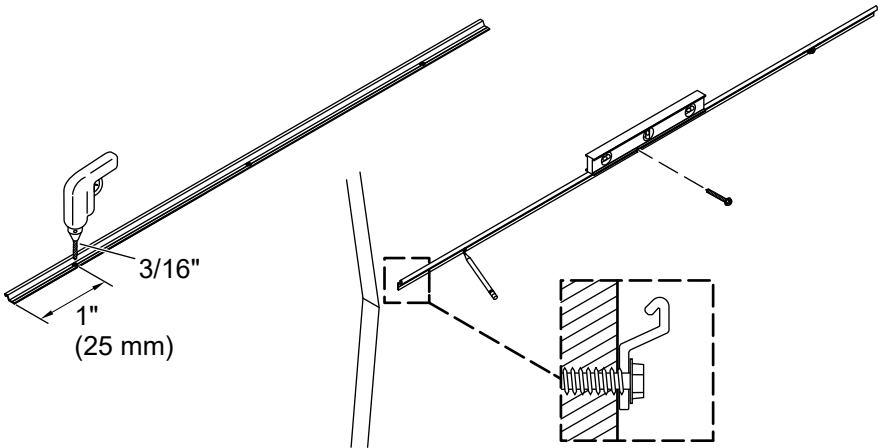
- When determining the height of the product, verify that the door will clear all obstacles (such as a faucet or light fixture). Provide a minimum distance of 3" (76 mm).

2. Surface-Mount - Prepare the Site



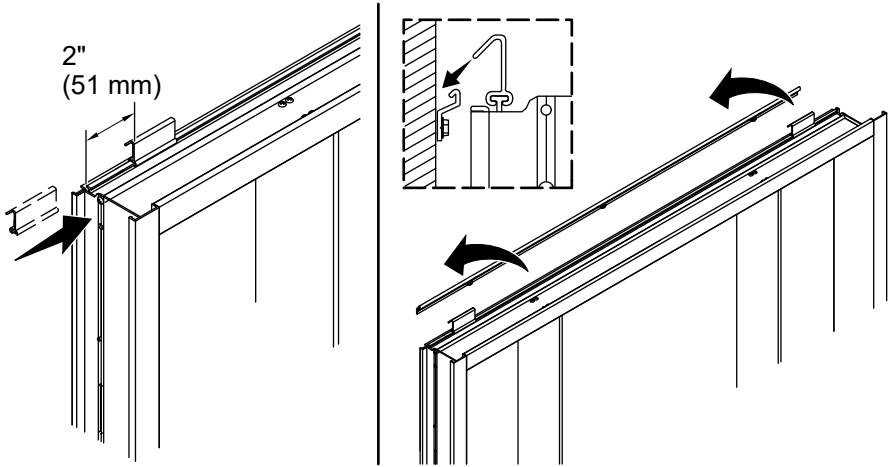
- Measure distance "A" and position the mounting bar 73" (1854 mm) from floor (recommended).
- Mark the position of the mounting bar. Mark the stud locations.

3. Surface-Mount - Install the Mounting Bar



- Using a 3/16" drill bit, drill three-holes on the groove of the mounting bar. One hole must be positioned on a stud location.
- Position the mounting bar on the wall.
- Mark the hole locations on the wall.
- Drill holes at the marked locations.
- Insert anchors (not provided) where needed.
- Secure the mounting bar with three 2" hex head screws (provided) or screws provided with the anchors.

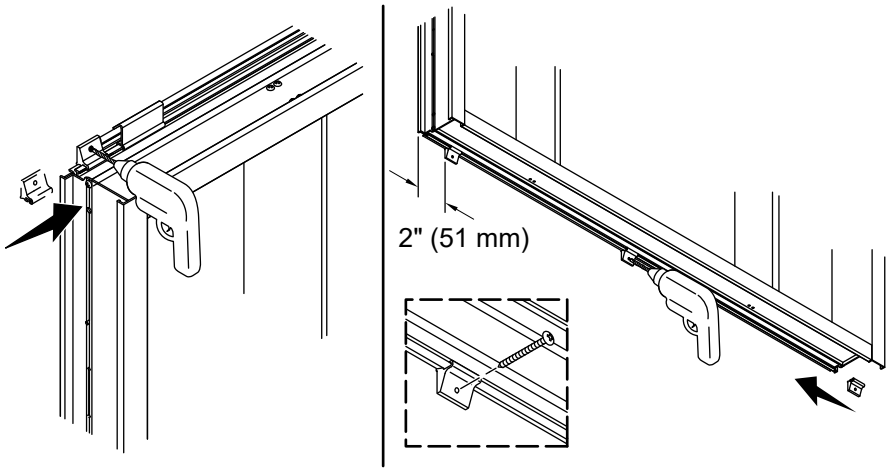
4. Surface-Mount - Hang the Cabinet



NOTE: Rotate the cabinet for right or left door swing.

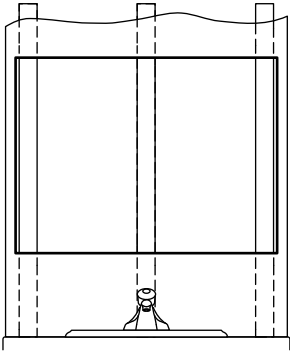
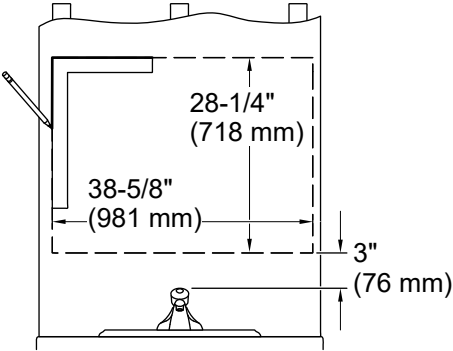
- Slide the hanger hooks onto the top T-slot as shown.
- Position each hook 2" (51 mm) from the sides of the cabinet.
- Lift the cabinet onto the mounting bar.
- Verify that the hooks engage the mounting bar.

5. Surface-Mount - Secure the Cabinet



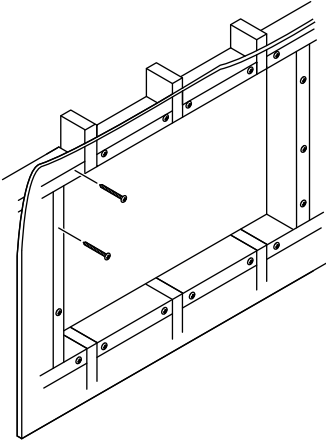
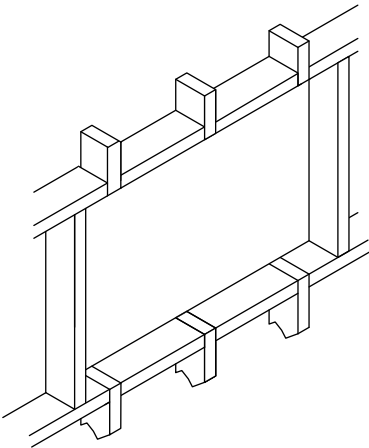
- Slide a clip onto each end of the top T-slot.
- Verify that the cabinet is centered as desired.
- Drill pilot holes into the wall.
- If needed, insert anchors into the wall.
- Secure the clips with 1-1/2" screws (provided).
- Slide the 3 clips onto the bottom T-slot.
- Position one clip in the center of the cabinet and one clip 2" (51 mm) from each side of the cabinet.
- Drill pilot holes.
- Secure with the 1-1/2" screws (provided).

6. Recess-Mount - Prepare the Site



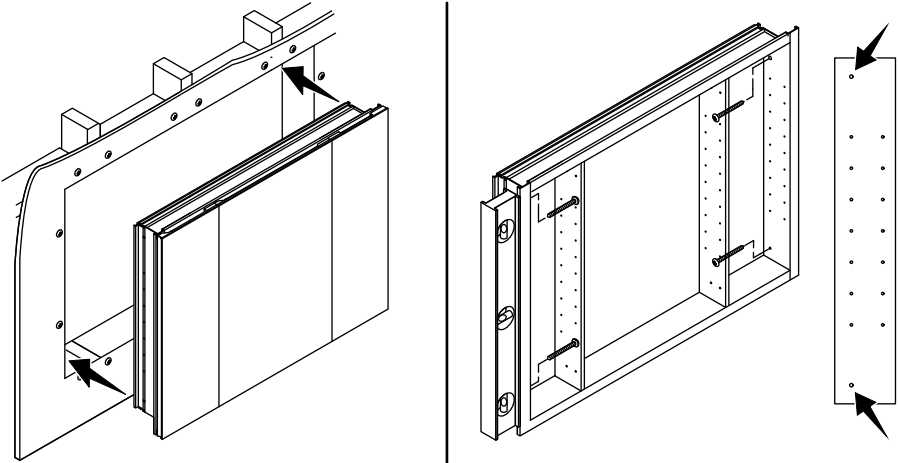
- Measure and mark the cutout.
- Cut away the drywall.

7. Recess-Mount - Construct the Framing



- Frame out the wall cavity.
- Secure the drywall to the framing.

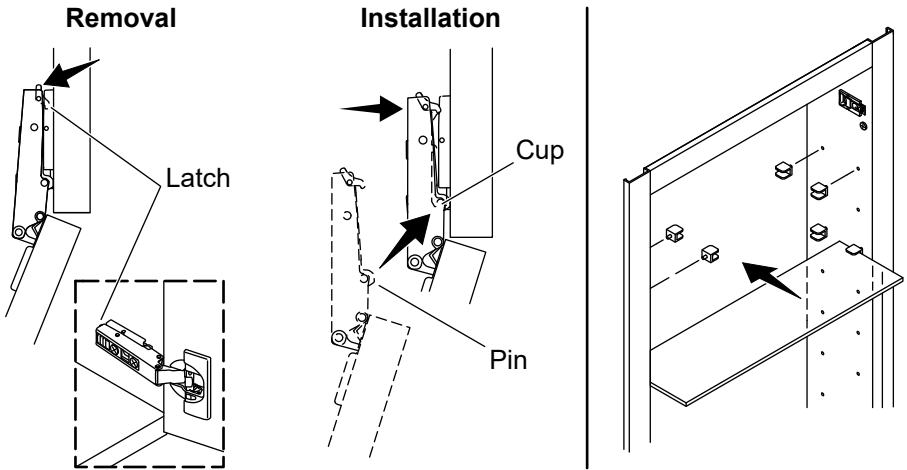
8. Recess-Mount - Install the Cabinet



NOTE: Rotate the cabinet for right or left door swing.

- With help, lift and hold the cabinet in the cutout.
- Secure the cabinet to the framing with 1-1/2" screws (provided).

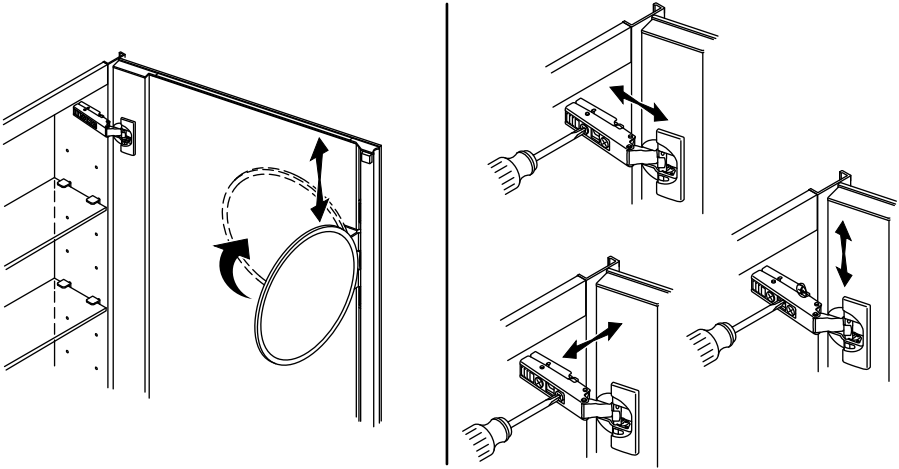
9. Install the Shelves



NOTE: The doors must be removed to install the shelves.

- To remove the doors, squeeze the latch at the end of each hinge to release the bracket.
- Install four clips for each shelf.
- Insert the shelves between the slots on the clips.
- To reinstall the doors, align the pin with the cup and snap into place.

10. Complete the Installation



IMPORTANT! Before closing the door, rotate the magnifying mirror in.

- For models with a magnifying mirror: To adjust the magnifying mirror height, slide the mirror hinge up or down.
- If needed, turn the adjustment screws to align the door.