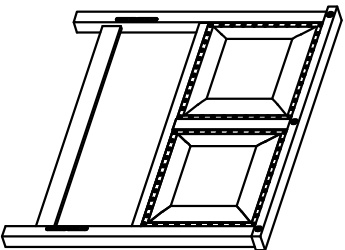


YOSEMITE STORAGE QUEEN BED HBF ASSEMBLY INSTRUCTIONS



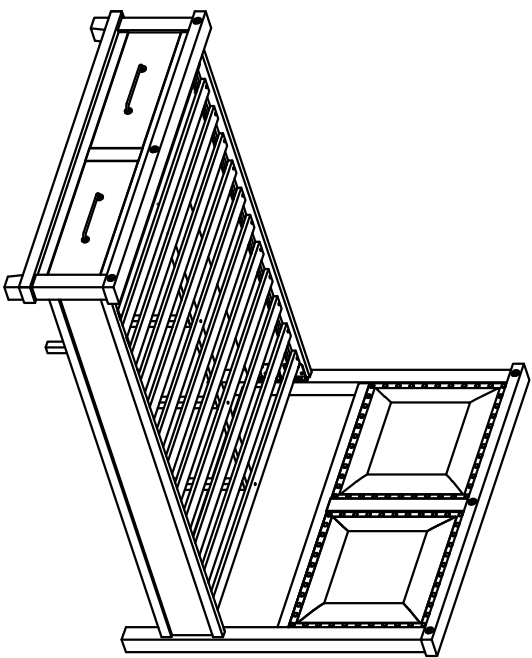
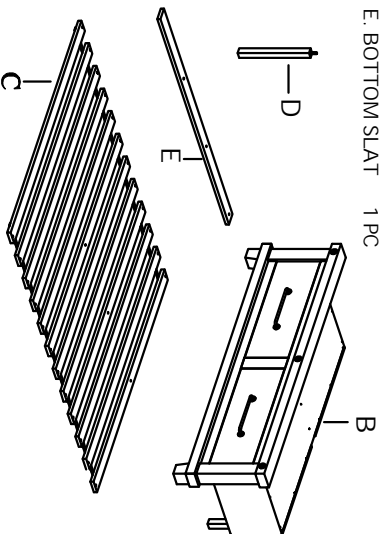
MODUS
FURNITURE
INTERNATIONAL

BOX#1
A. HEADBOARD 1PC

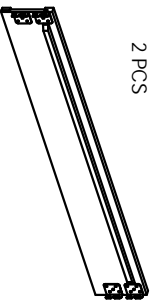


STORAGE QUEEN BED ASSEMBLED

BOX#2
B. FOOTBOARD 1PC
C. SLAT ROLL 1PC
D. SLATS SUPPORT 3 PCS
E. BOTTOM SLAT 1PC

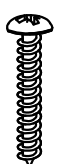
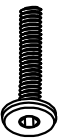


BOX#3
F. SIDERAILS 2 PCS



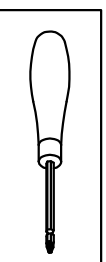
HARDWARE ARE PACKED IN BOX

| | | | | | | | | | | | |
|----------|-------------------------|-----------|----------|-----------------|-----------|----------|--------------------|-----------|----------|--------------------|-----------|
| 1 | ALLEN BOLT M8 x 30MM | 16 PCS | 2 | WASHER M8/19 | 16 PCS | 3 | ALLEN KEY (4MM) | 02 PCS | 4 | SCREW M4 x 30MM | 24 PCS |
|----------|-------------------------|-----------|----------|-----------------|-----------|----------|--------------------|-----------|----------|--------------------|-----------|



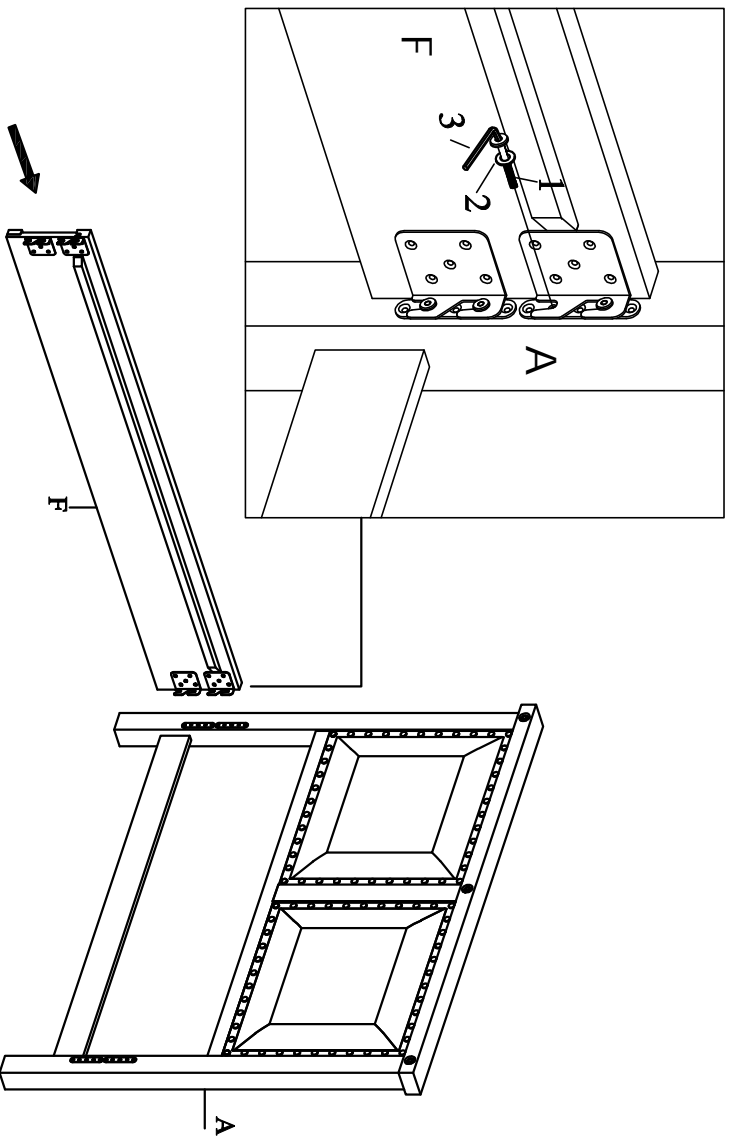
TOOL REQUIRED

PHILLS HEAD SCREW
DRIVER NOT PROVIDED



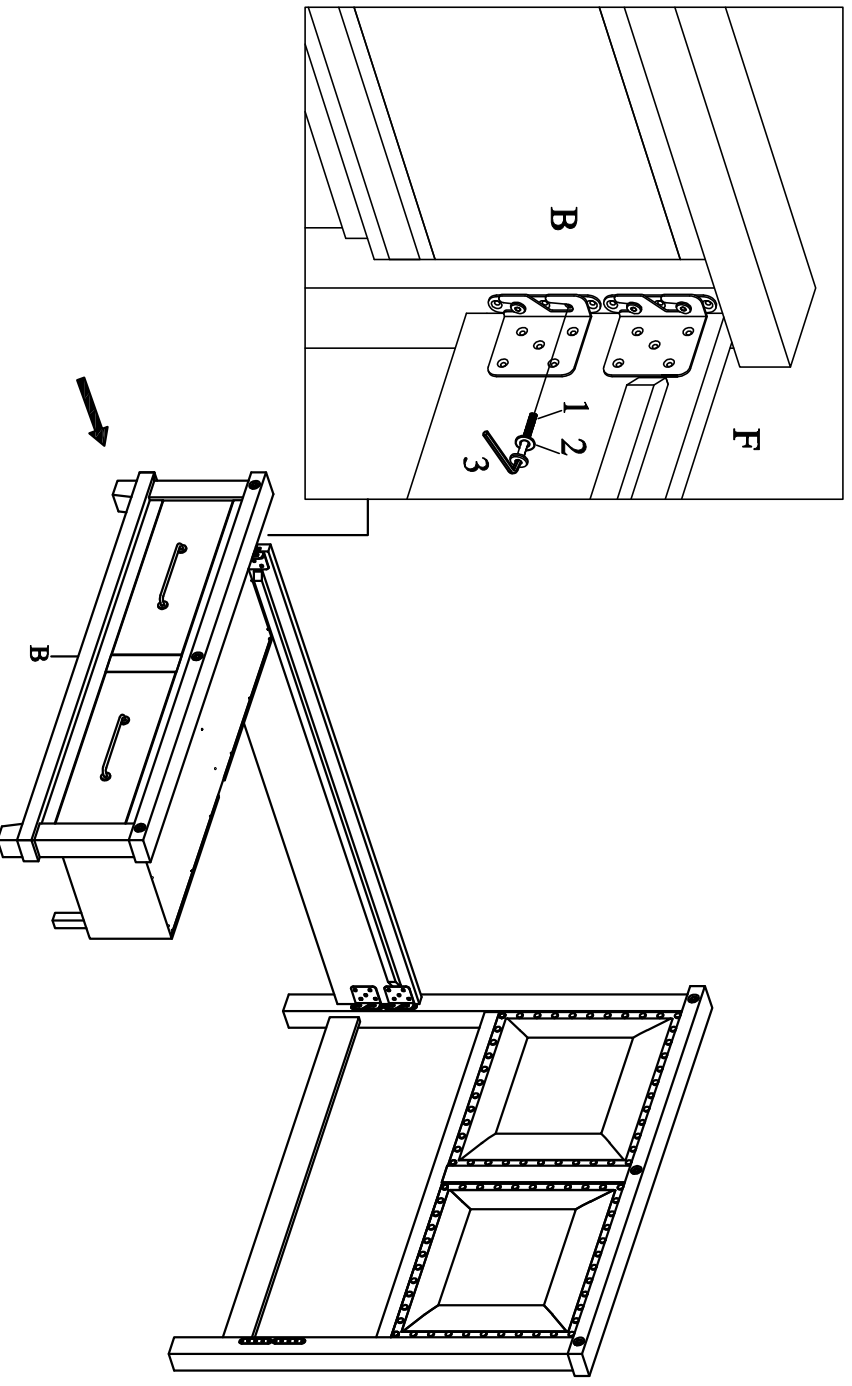
STEP 1:

FIX ONE OF THE SIDERAILS (F) TO THE HEADBOARD (A) USING ALLEN KEY (3) AND ALLEN BOLT (1) AND WASHERS (2). DO NOT TIGHTEN BOLTS COMPLETELY UNTIL ASSEMBLY IS COMPLETED.



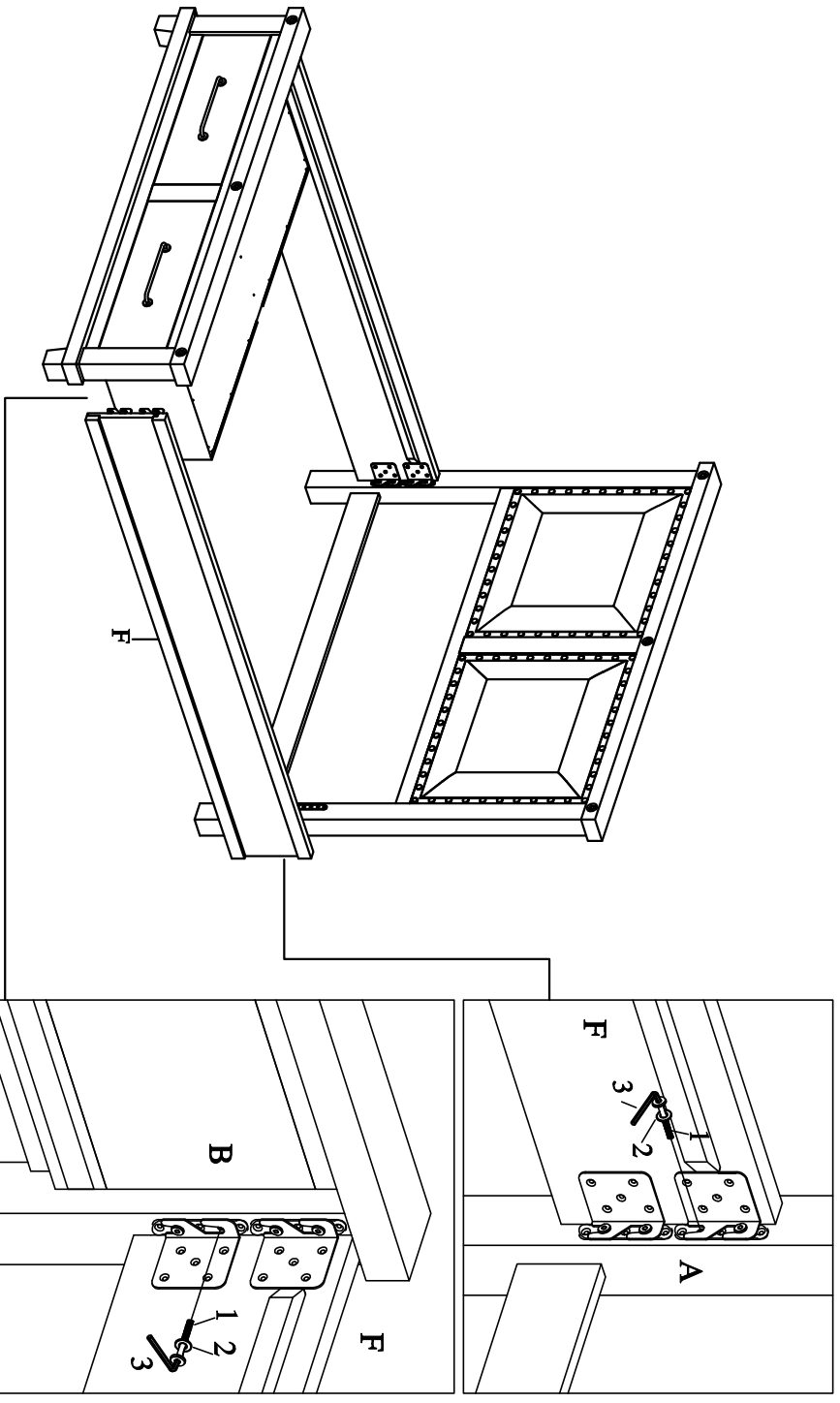
STEP 2:

FIX THE OTHER END OF THE SIDERAILS (F) TO THE FOOTBOARD (B) USING ALLEN KEY (3) AND ALLEN BOLT (1) AND WASHERS (2). DO NOT TIGHTEN BOLTS COMPLETELY UNTIL ASSEMBLY IS COMPLETED



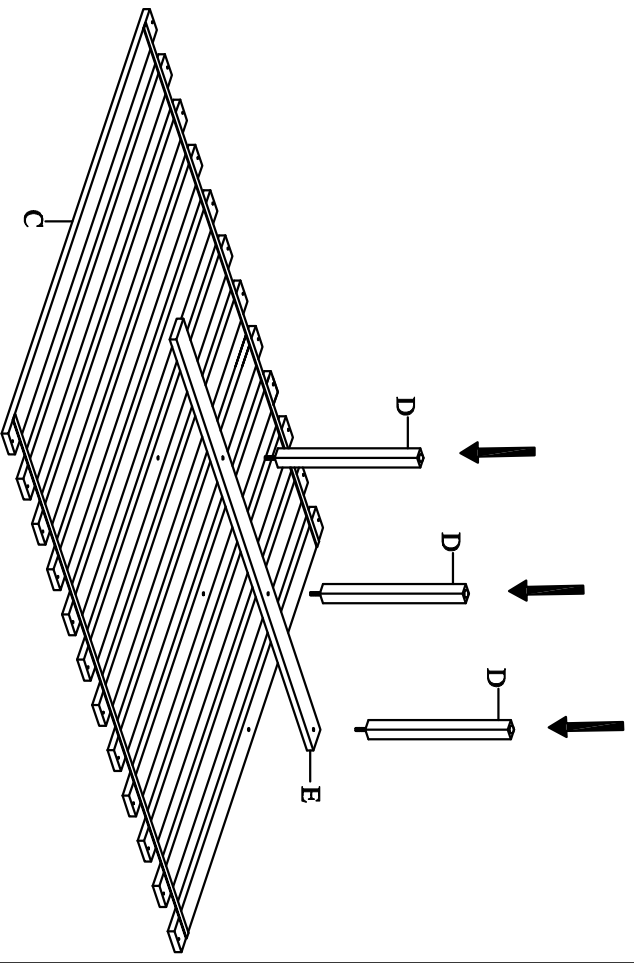
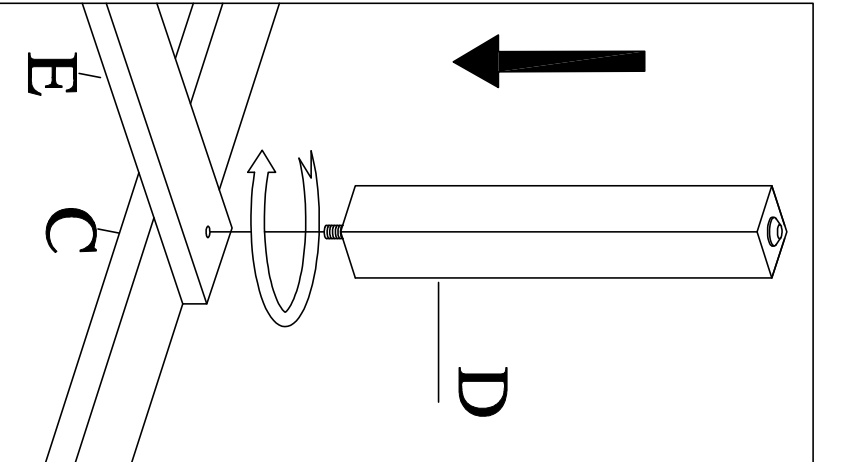
STEP 3:

FIX ONE OF THE SIDERAILS (F) TO THE HEADBOARD (A) AND FOOTBOARD (B) USING ALLEN KEY (3) AND ALLEN BOLT (1) AND WASHERS (2). DO NOT TIGHTEN BOLTS COMPLETELY UNTIL ASSEMBLY IS COMPLETED



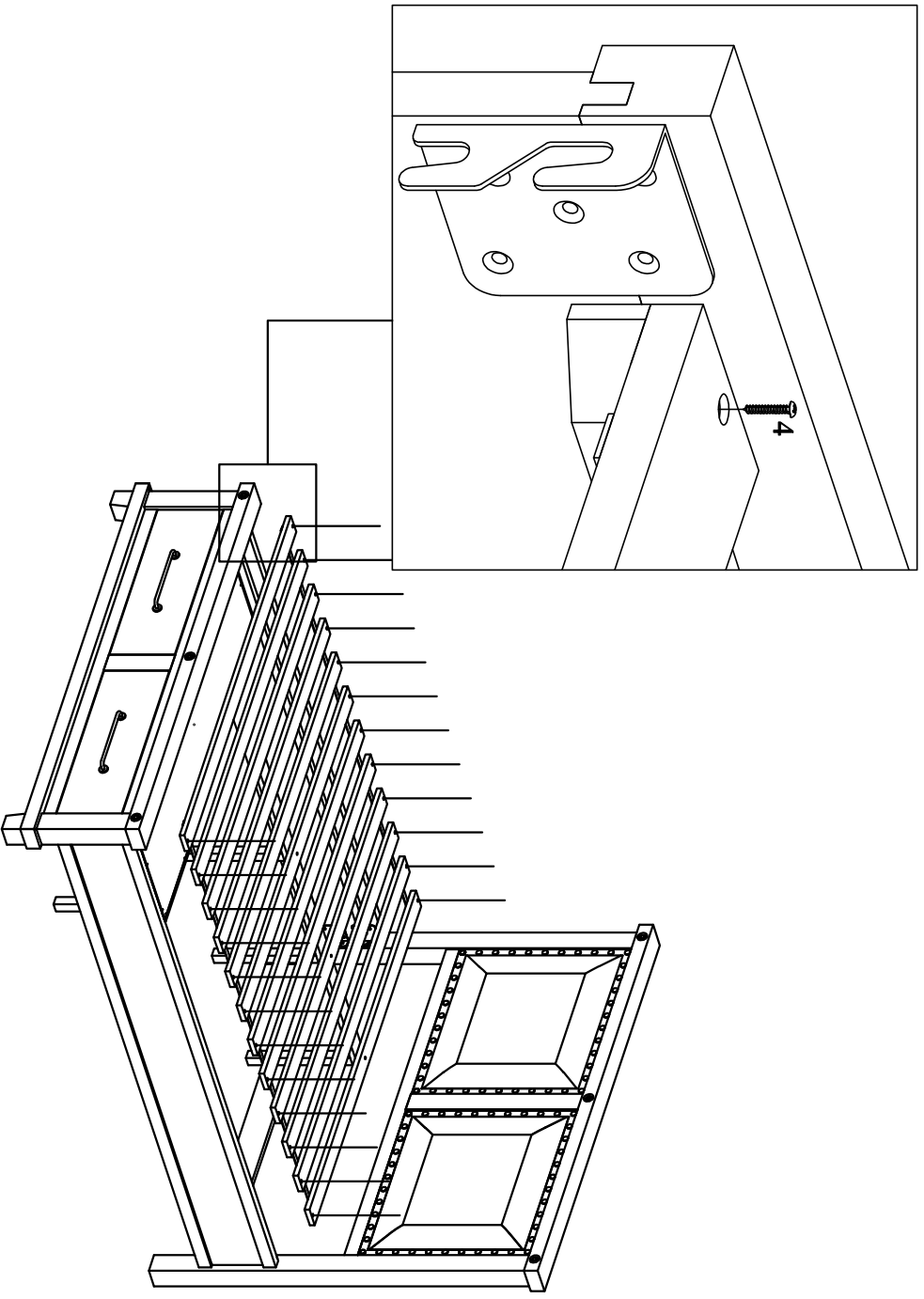
STEP 4:

ATTACH THE SLATS SUPPORT (D) TO THE BOTTOM SLAT (E) AND SLAT ROLL (C).



STEP 5:

FOLLOW THE ILLUSTRATION TO PLACE FIVE SLAT ROLL (C) ON THE BED FRAME. AND SECURE THE SLAT ROLL (C) USING WOOD SCREWS (4). USE THE PILOT HOLES ON THE SIDERAILS (F) AS YOUR REFERENCE FOR EASY ASSEMBLY.



**STEP 6:
ASSEMBLY COMPLETE**

