

HARRISON HEADBOARD

Model # 100346-100637 (1403-370) Duo Panel Twin
Model # 100346-100636 (1403-670) Duo Panel King

Date: 03-30-2017

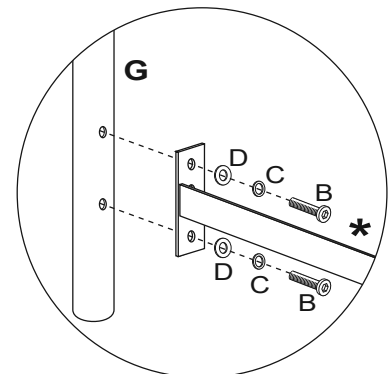
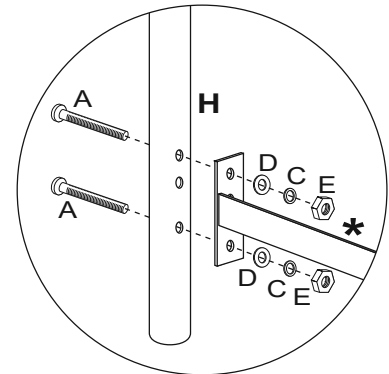
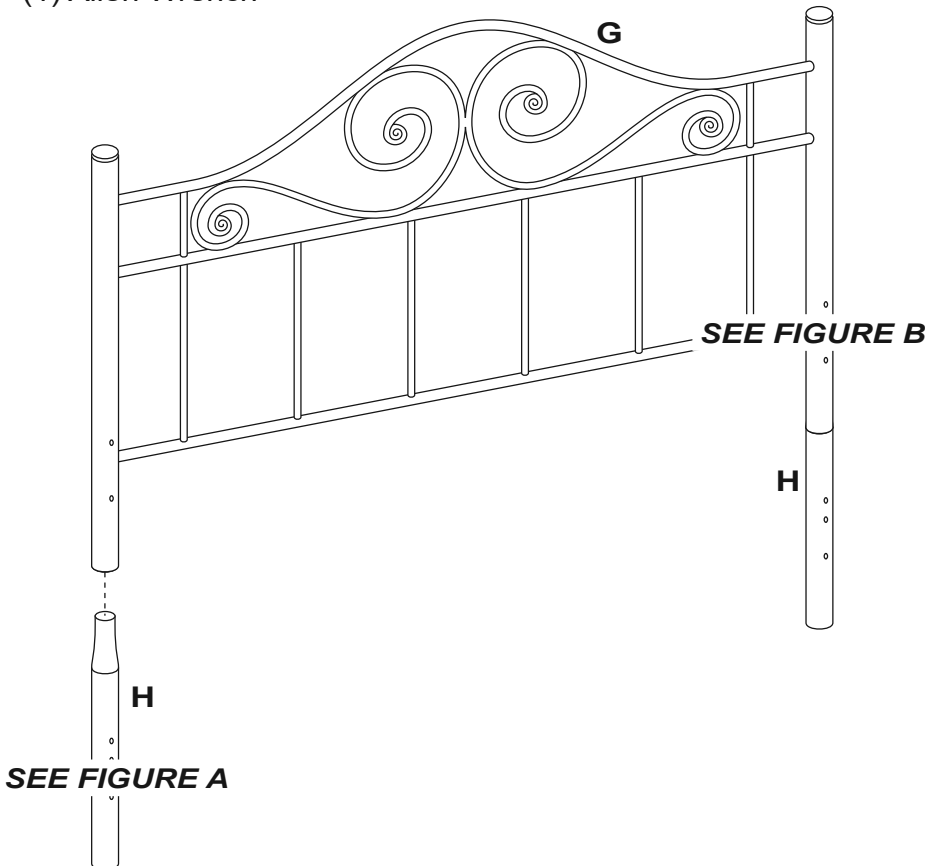
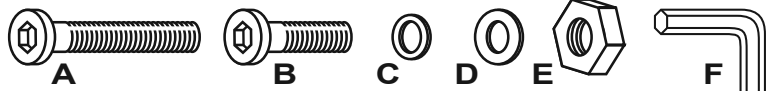
Examine all packaging material for small parts that may have come loose during shipment. Periodic checks are recommended to insure that all components are in proper position, tight and free from damage. Keep this assembly instruction for future reference. Adult assembly is required. The product of Hillsdale Furniture, LLC is designed for residential use only. Customer Service Phone Number: 502-562-0000

HARDWARE LIST

- A (4) Long Allen Bolts
- B (4) Short Allen Bolts
- C (4) Spring Washers
- D (4) Flat Washers
- E (4) Hex Nuts
- F (1) Allen Wrench

PARTS LIST

- G (1) Duo Panel
- H (2) Leg Extensions



STEP 1 ~ Headboard Assembly Only

Begin assembly by attaching each Leg Extension (H) to the bottom of each post on the Duo Panel (G) by firmly sliding into place.

STEP 2 ~ Headboard Bed Frame Assembly Only

Next, attach the bed frame (*Not Included) to each Leg Extension (H) using 2 Long Allen Bolts (A) from the backside, 2 Flat Washers (D), 2 Spring Washers (C) & 2 Hex Nuts (E) per each side. See Figure A. Tighten all bolts, the assembly is now complete. Discard any remaining parts/hardware and keep instructions for future assembly.

STEP 3 ~ Footboard Assembly Only

Attach the bed frame (*Not Included) to each post on the Duo Panel (G) using 2 Short Allen Bolts (B), 2 Spring Washers (C) & 2 Flat Washers (D) per each side. See Figure B. Tighten all bolts, the assembly is now complete. Do not use the Leg Extensions (H) on the footboard panel. Discard any remaining parts/hardware and keep instructions for future assembly.

CARE & MAINTENANCE: The touch of a soft cloth is all the maintenance the finish will ever need. Please do not use harsh or abrasive cleaners for polishing, as they may cause damage to the finish. Periodic checks are recommended to make sure that all bolts, screws and nuts are securely tightened.