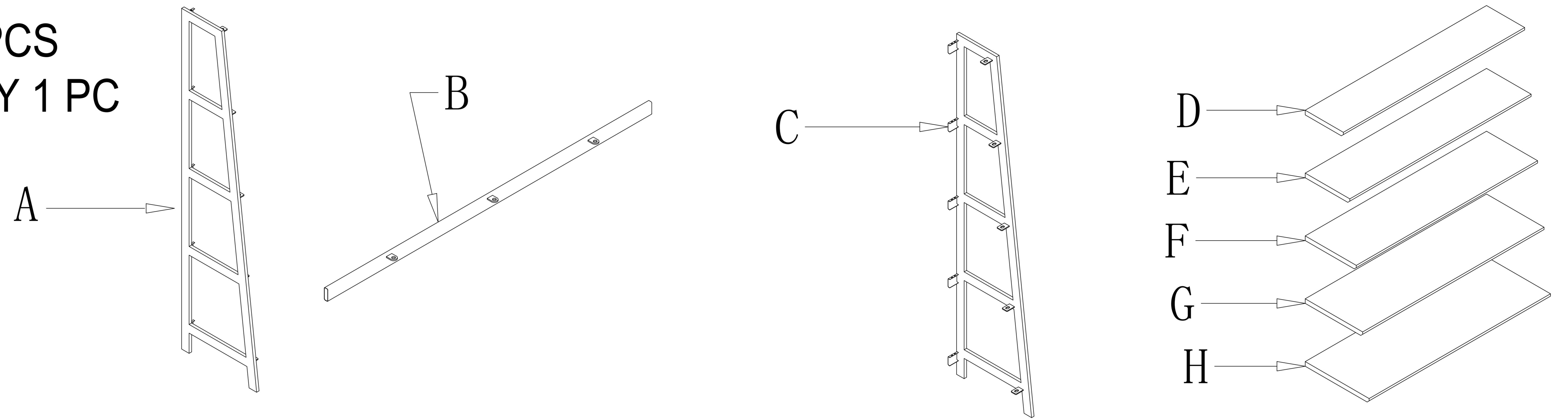


FINCH ETAGERE ASSEMBLY INSTRUCTIONS



PARTS PACKING CONFIGURATION

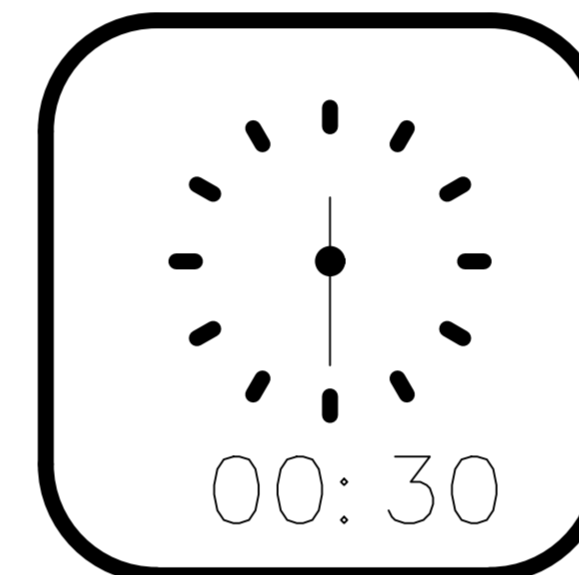
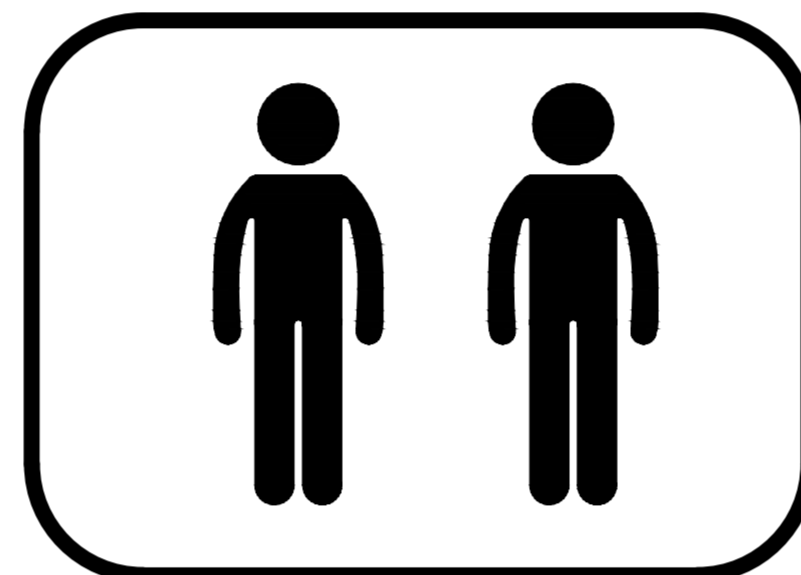
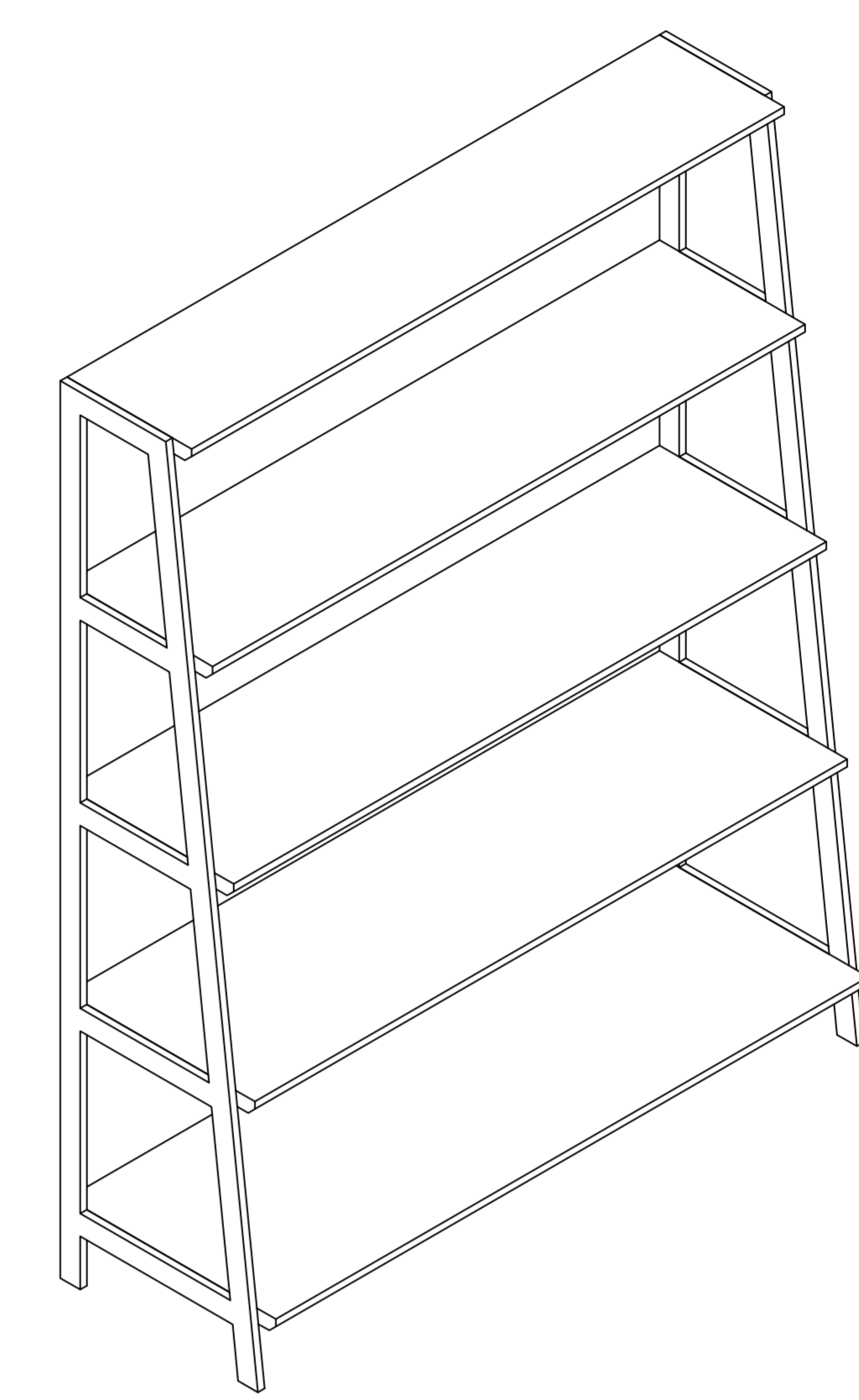
- A. LEFT SIDE ASSEMBLY 1 PC
- B. BACK STRETCHER 5 PCS
- C. RIGHT SIDE ASSEMBLY 1 PC
- D. TOP ASSEMBLY 1 PC
- E. SHELF E 1PC
- F. SHELF F 1PC
- G. SHELF G 1PC
- H. BOTTOM SHELF 1PC



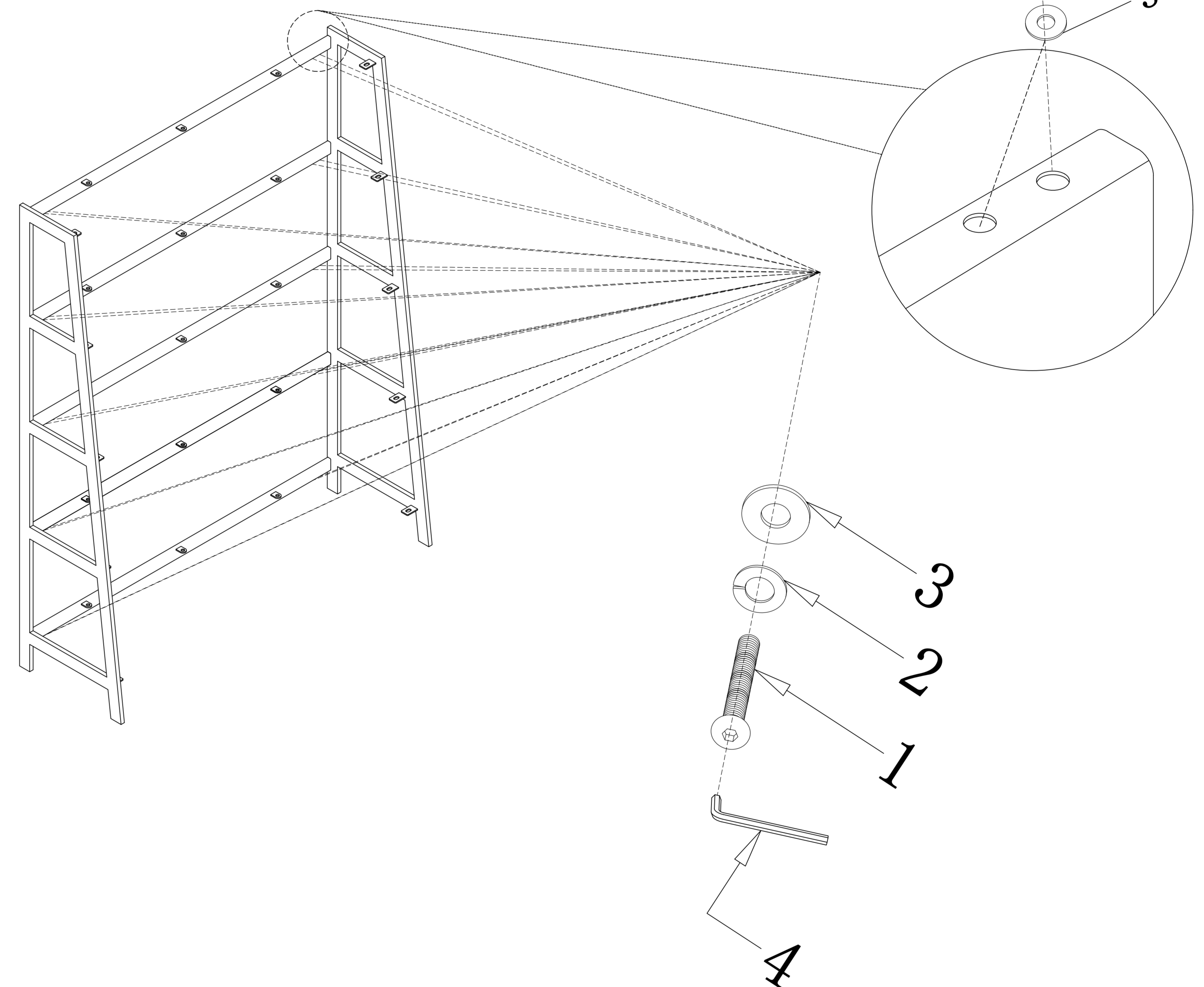
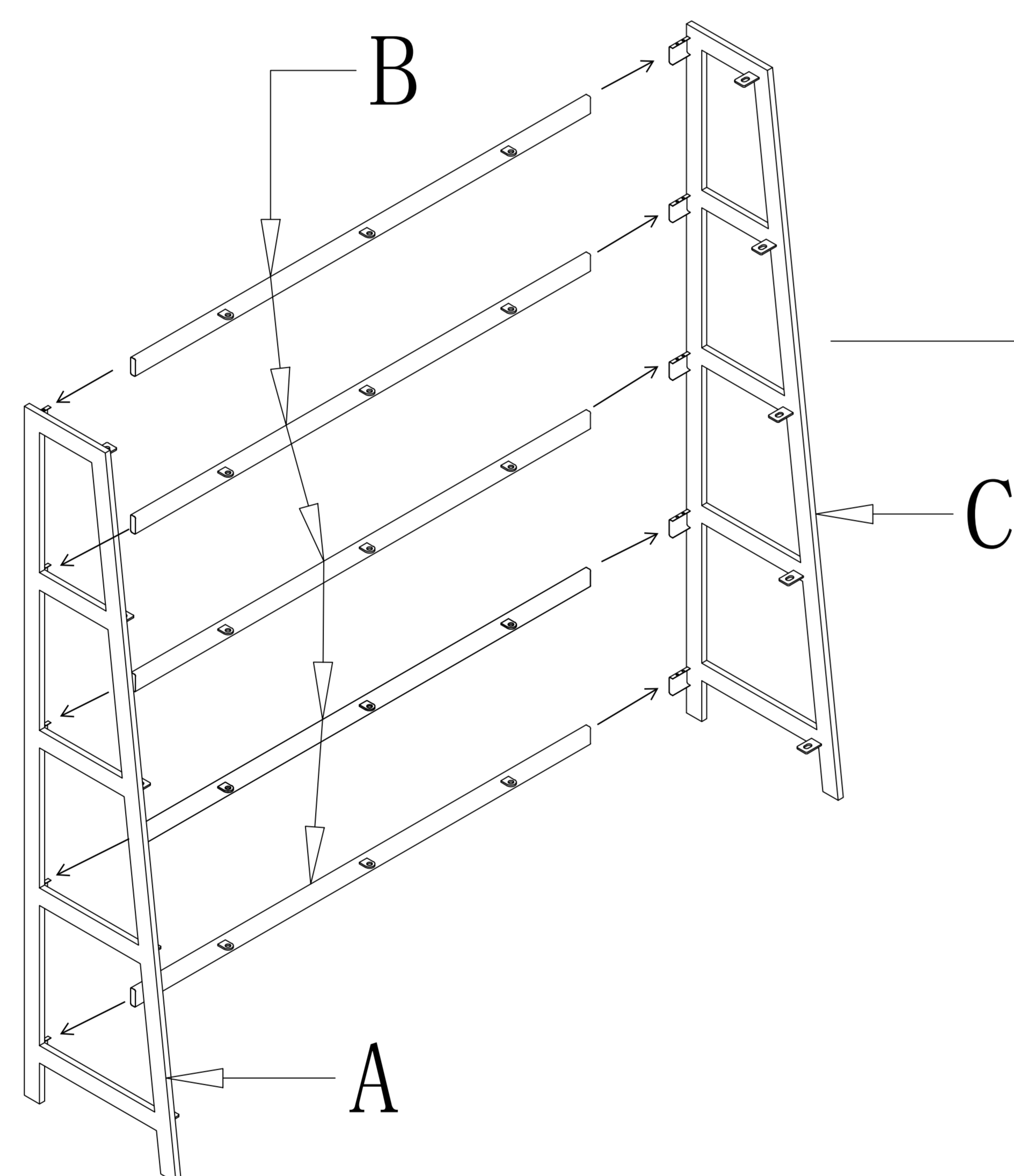
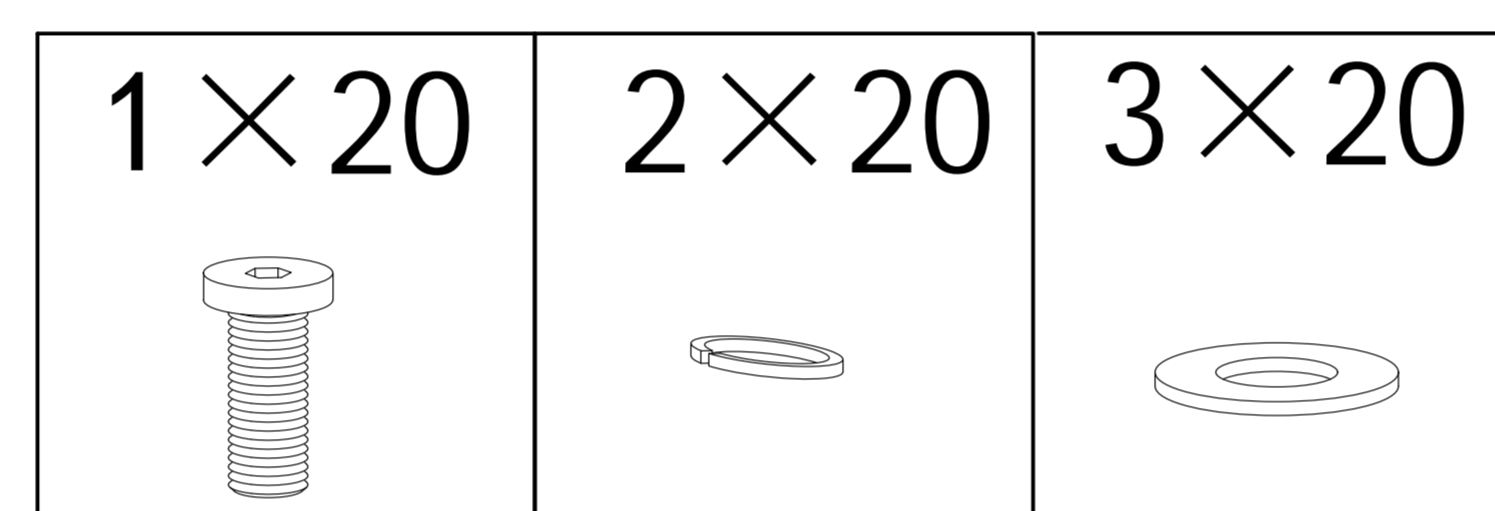
HARDWARE ENCLOSED IN CARTON

No	Description	Photo	Quantity
1	ALLEN BOLT (1/4" x 3/4")		45 PCS
2	LOCK WASHER (1/4")		45PCS
3	FLAT WASHER (1/4")		45 PCS
4	ALLEN KEY		1 PC

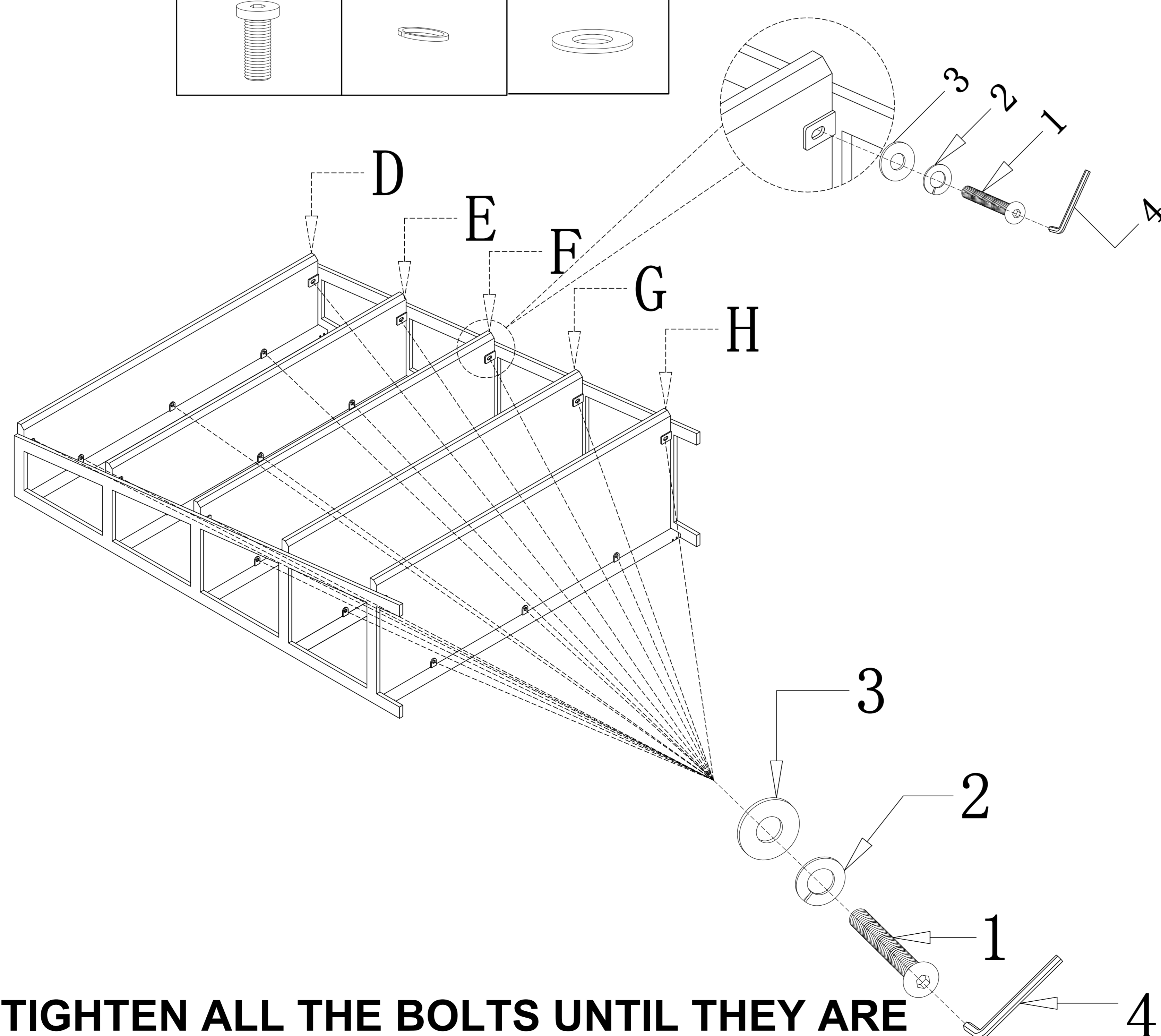
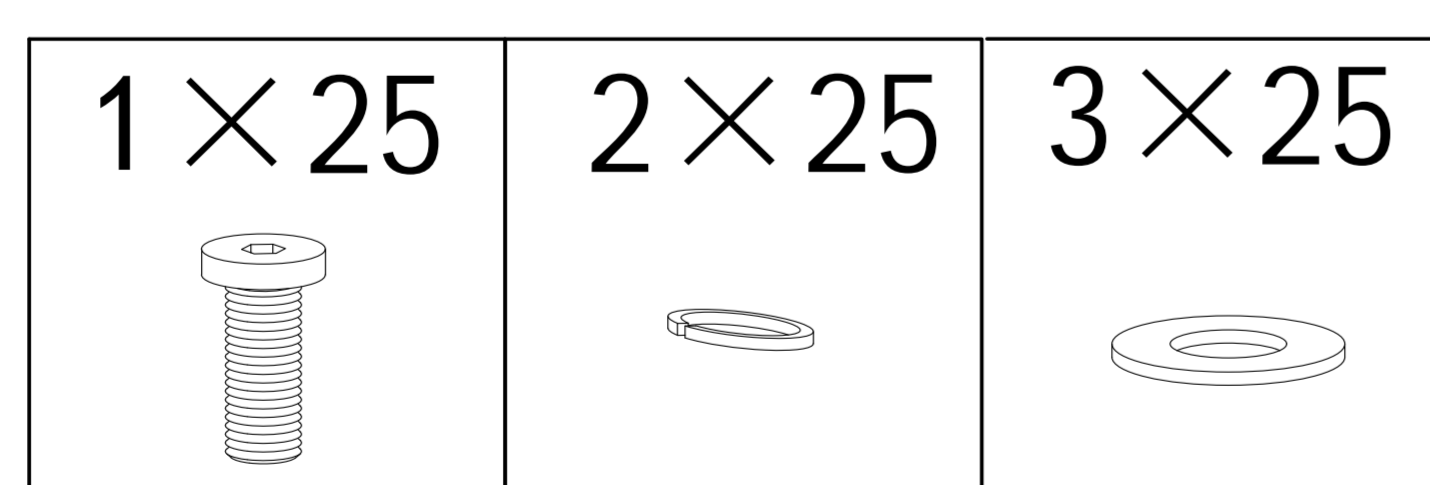
FINCH ETAGERE FULLY ASSEMBLED



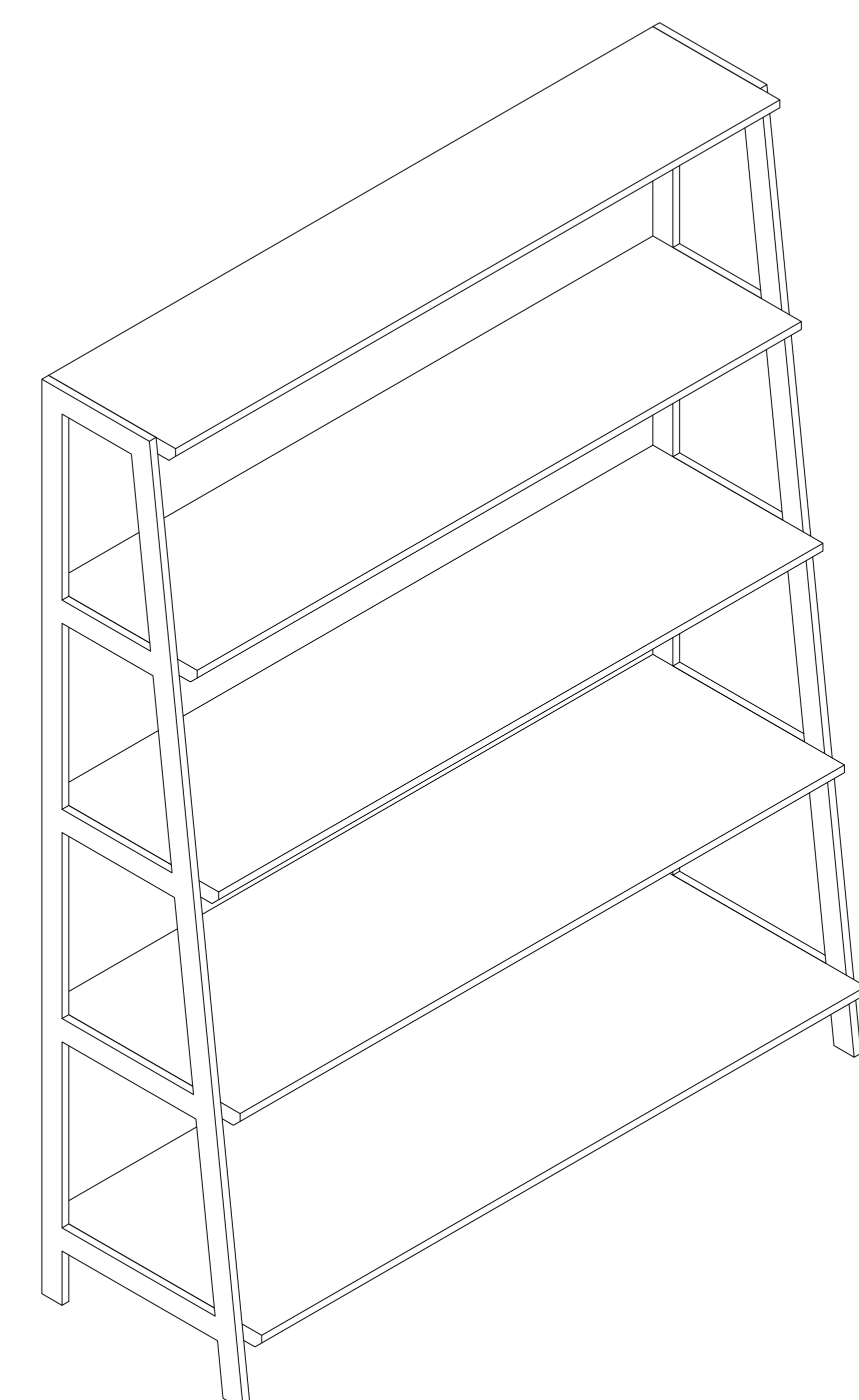
STEP 1:



STEP 2:



NOTE:
DO NOT TIGHTEN ALL THE BOLTS UNTIL THEY ARE
INSTALLED IN CORRESPONDING HOLES!



FULLY ASSEMBLED