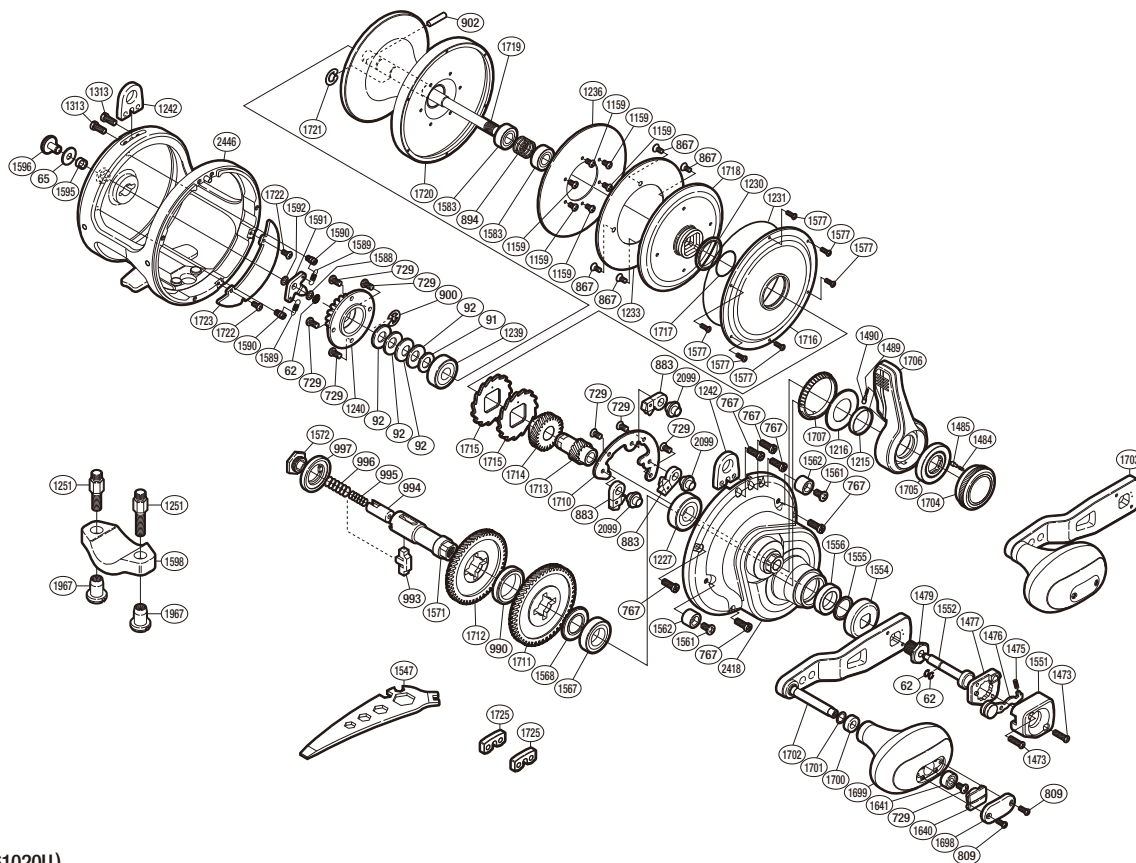


SHIMANO

TALICA

TAC-20II



(51RJ261020U)

#	Part No.	Description	#	Part No.	Description	#	Part No.	Description
0062	105NK	E Lock	1476	10NL8	Slide Plate	1701	10G8G	Washer
0065	104H2	Spacer	1477	10PBN	Handle Bolt Plate	1702	109WP	Handle Shank Assembly
0091	104L5	Bearing Thrust Washer	1479	106XP	Handle Bolt	1703	102VN	Handle Assembly
0092	1052E	Coned Disc Spring	1484	10K07	Click Spring	1704	108FA	Pre-Program Dial
0729	103E9	Screw	1485	10JX6	Click Pin	1705	10CCB	Lever Shaft Body
0767	10M6X	Screw	1489	10C3X	Lever Click Shoe	1706	108BF	Drag Control Lever
0809	103NH	Screw	1490	10C3V	Lever Click	1707	10F6C	Lever Click Gear
0867	10MGG	Screw	1551	109XG	Push Button Shield	1710	10KVQ	Anti-Reverse Pawl Keeper
0883	10MWC	Anti-Reverse Pawl	1552	109XB	Push Low Button Shaft	1711	10QKG	Drive Gear A
0894	1060C	Pressure Release Spring	1554	10KZS	Drive Shaft Shield	1712	109WX	Drive Gear B
0900	105RZ	E Lock	1555	10G9V	Washer	1713	10A7L	Pinion Gear A
0902	10MCU	Cross Pin	1556	109AR	Drive Gear Bushing	1714	10N9N	Pinion Gear B
0990	10D61	Friction Washer	1561	10M6J	Screw	1715	10DAN	Anti-Reverse Ratchet
0993	10KXH	Gear Select Cross Bar	1562	10CAC	Bolt Shield	1716	104R3	Cooling Shield
0994	10KXL	Cross Bar Stop	1567	10KXA	Ball Bearing	1717	10EYQ	Pinion Guard Support
0995	109VM	Drive Shaft Spring B	1568	10D5Z	Drive Gear Washer	1718	10HUH	Pinion Guard
0996	10KXQ	Drive Shaft Spring	1571	10D6L	Drive Shaft	1719	10F09	Spool Shaft
0997	10D5B	Friction Washer	1572	10FCD	Drive Shaft Screw	1720	10GYU	Spool
1159	10MT0	Screw	1577	10PRU	Screw	1721	105S4	C Lock
1215	108DP	Lever Thrust Ring	1583	104Q5	Ball Bearing	1722	10LVH	Screw
1216	10G6G	Washer	1588	10GA5	Spacer	1723	105WR	Set Plate
1227	104JP	Ball Bearing	1589	104B0	Click Pawl Spring	2099	10PFS	Anti-Reverse Pawl Pin
1230	10EWA	Waterproof Ring	1590	108W4	Click Spring Shaft	2418	10RG1	Right Side Plate Assembly
1231	10E21	O Ring	1591	10GQW	Click Pawl	2446	10DYS	Frame Assembly
1233	10G4D	Drag Plate	1592	10GA6	Spacer			
1236	10G3S	Drag Washer	1595	104MS	Click Switch Cam			
1239	10KAB	Ball Bearing	1596	104GX	Click Button	1251	10JBZ	Rod Clamp Bolt (Accessory)
1240	106AR	Click Gear Support	1640	10B97	Handle Knob Seal	1598	10AS1	Rod Clamp (Accessory)
1242	10PYF	Harness Lug	1641	10KX1	Ball Bearing	1967	10JBX	Rod Clamp Nut (Accessory)
1313	10M6T	Screw	1698	108SR	Handle Knob I.D. Plate			
1473	10M2N	Screw	1699	102HE	Handle Knob	1547	10MJ8	Wrench (Accessory)
1475	10PWJ	Slide Plate Spring	1700	104UJ	Handle Knob Bushing	1725	10A7K	Harness Lug Plug (Accessory)

Please note that the number of adjusting washers may not be the same as shown in the exploded views.
(Adjustment will vary with each individual product.)

(230306)_004