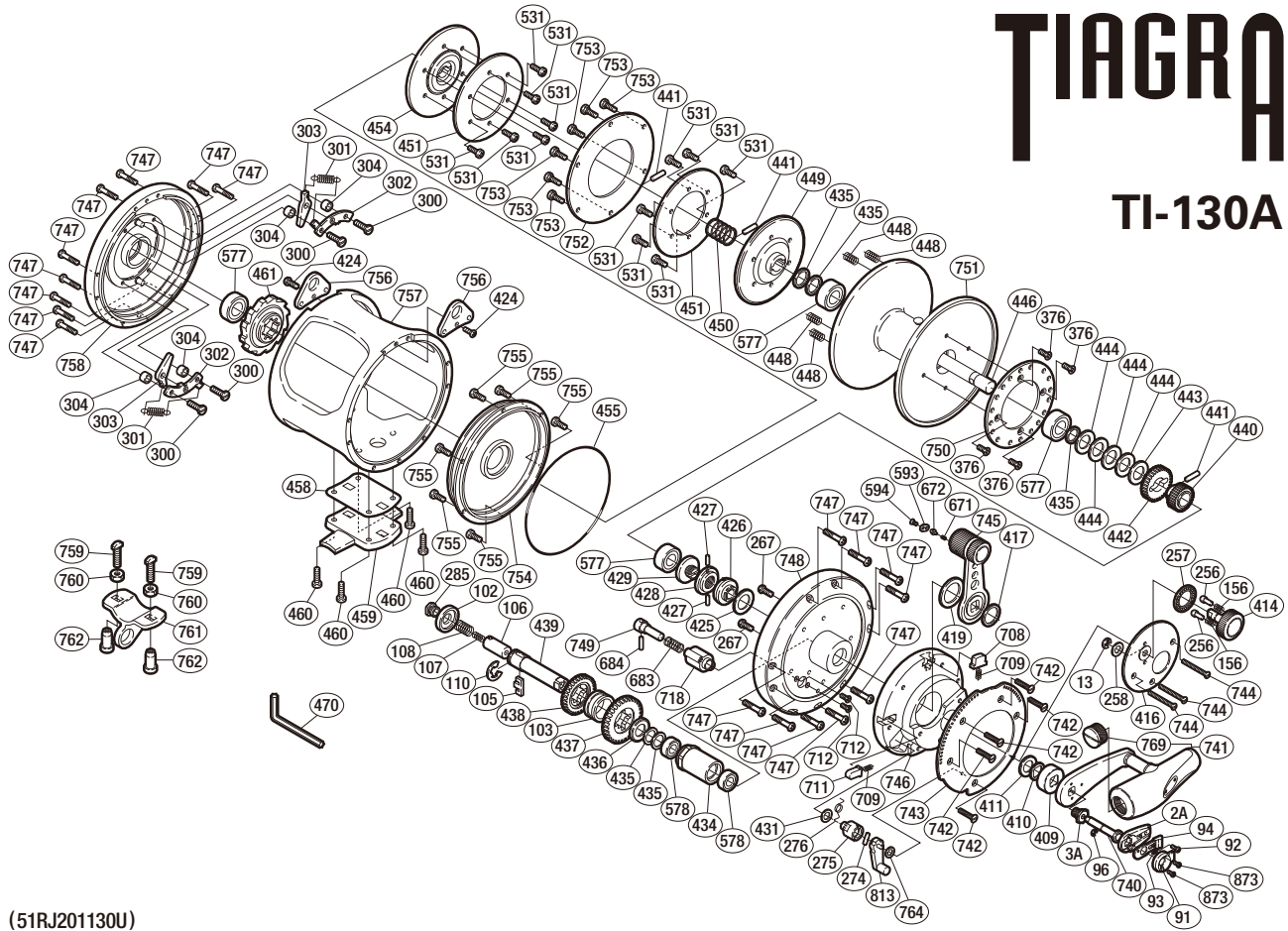


# SHIMANO

# TIAGRA

## TI-130A



(51RJ201130U)

#	Part No.	Description	#	Part No.	Description	#	Part No.	Description
0002A	10QUC	Handle Bolt Plate	0424	10LZ5	Screw	0684	10EZP	Plunger Cross Pin A
0003A	106XK	Handle Bolt	0425	10EWV	Washer	0708	10CCF	Strike Stop
0013	105RY	C Lock	0426	10CC1	Lever Shaft Body	0709	10BNJ	Pressure Spring
0091	109XD	Push Button Shield	0427	10EWP	Pre-Program Key Pin	0711	10BN9	Free Spool Detent
0092	10LZ9	Screw	0428	1089D	Pre-Program Key	0712	10MPE	Screw
0093	10PWH	Slide Plate Spring	0429	1088W	Pre-Program Screw	0718	108CX	Plunger Holder
0094	109XC	Slide Plate	0431	109RD	Spacer	0740	109X7	Push Low Button Shaft
0096	105NE	E Lock	0434	109AM	Drive Shaft Holder	0741	102UR	Handle Assembly
0102	10D5A	Friction Washer A	0435	109R7	Spacer	0742	10PMA	Screw
0103	10D67	Friction Washer B	0436	10D63	Friction Washer C	0743	10CA0	Lever Quadrant
0105	10KXG	Gear Select Cross Bar	0437	10QK4	Drive Gear A	0744	10PMB	Screw
0106	10KXK	Cross Bar Stop	0438	109WS	Drive Gear B	0745	108B8	Drag Control Lever
0107	109VM	Drive Shaft Spring B	0439	10D5R	Drive Shaft	0746	10F3P	Right Side Plate B
0108	10KXP	Drive Shaft Spring	0440	10A49	Pinion Gear A	0747	10PRQ	Screw
0110	105S0	E Lock	0441	104LC	Cross Pin	0748	10HSQ	Right Side Plate A
0156	10TUX	Friction Shoe Spring	0442	10N9H	Pinion Gear B	0749	108D7	Alert Plunger
0256	10CWE	Dial Click Shoe	0443	109R8	Pre-Load Washer	0750	1052P	Alert Ratchet
0257	10J1U	Dial Click	0444	1052G	Pre-Load Spring	0751	1037T	Spool
0258	108HD	Washer	0446	10EWZ	Main Shaft	0752	10G47	Drag Plate
0267	10PQS	Screw	0448	106D0	Pressure Release Spring	0753	104R5	Screw
0274	10EZQ	Plunger Cross Pin B	0449	10EVS	Pressure Plate A	0754	106AK	Cooling Shield
0275	10EZK	Plunger Cross Pin Support	0450	10CCU	Pressure Plate Spring	0755	10LSQ	Screw
0276	10F1S	Cross Pin Support Spring	0451	10G10	Drag Washer	0756	10PYD	Harness Lug
0285	10FCB	Drive Shaft Screw	0454	10EZ5	Pressure Plate B	0757	1059C	One-Piece Frame
0300	103UX	Screw	0455	10EYY	O Ring	0758	107Z4	Left Side Plate
0301	10CBP	Dog Spring	0458	108L5	Stand Shield	0764	10EZV	Spacer
0302	10KNV	Set Plate	0459	10NV8	Stand	0769	105ZE	Handle Knob Bushing
0303	10PFY	Dog	0460	1055E	Screw	0813	108FW	Strike Alert Lever
0304	10KVK	Set Plate Support	0461	10DAF	Anti-Reverse Ratchet	0873	10PHP	Screw
0376	10MLH	Screw	0531	103E9	Screw			
0409	10KZP	Drive Shaft Shield	0577	10BNW	Ball Bearing			
0410	107QV	Drive Shaft Thrust Washer	0578	10KX9	Ball Bearing	0759	10JBQ	Rod Clamp Bolt (Accessory)
0411	10BR7	Bearing Spacer	0593	10C3Y	Lever Click Cover	0760	10JCJ	Rod Clamp Nut B (Accessory)
0414	108DZ	Pre-Program Dial	0594	10MGG	Screw	0761	10J9S	Rod Clamp (Accessory)
0416	10BGZ	Lever Hub Cover	0671	104BG	Lever Click Shoe	0762	10JC6	Rod Clamp Nut A (Accessory)
0417	108GT	Lever Thrust Ring	0672	10C3T	Lever Click			
0419	108DM	Lever Thrust Ring	0683	10GUU	Click Spring	0470	10MJ4	Wrench (Accessory)

Please note that the number of adjusting washers may not be the same as shown in the exploded views.  
(Adjustment will vary with each individual product.)

(230303)\_002