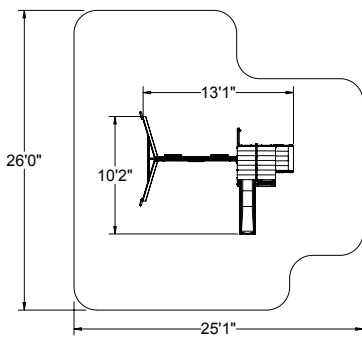


NEWPORT PLAYSET – F29015

INSTALLATION AND OPERATING INSTRUCTIONS



WARNING

To reduce the risk of serious injury or death, you must read and follow these instructions. Keep and refer to these instructions often and give them to any future owner of this play set.

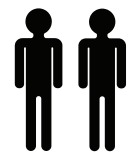
Manufacturer contact information provided below.

OBSTACLE FREE SAFETY ZONE - 25'1" x 26' area requires Protective Surfacing. See page 3.

MAXIMUM VERTICAL FALL HEIGHT - 6' (1.8 m)

CAPACITY - 9 Users Maximum, Ages 3 to 10; Weight Limit 110 lbs. (49.9 kg) per child. RESIDENTIAL HOME USE ONLY. Not intended for public areas such as multi-unit residences, schools, churches, nurseries, day cares or parks.

Warning. Only for domestic use.



4 - 8 Hrs

**TWO PERSON
ASSEMBLY**



KidKraft, Inc.
4630 Olin Road
Dallas, Texas 75244 USA
customerservice@kidkraft.com
canadacustomerservice@kidkraft.com
1.800.933.0771
972.385.0100
For online parts replacement visit
<https://parts.kidkraft.com/>

KidKraft Netherlands BV
Olympisch Stadion 8
1076DE Amsterdam
The Netherlands
europecustomerservice@kidkraft.com
+31 20 305 8620 M-F from 09:00 to 17:30
(GMT+1)
For online parts replacement visit
<https://parts.kidkraft.eu/>

Table of Contents

Warnings and Safe Play Instructions.....	pg. 2
Protective Surfacing Guidelines.....	pg. 3
Instructions for Proper Maintenance.....	pg. 4
About Our Wood – Limited Warranty.....	pg. 5
Keys to Assembly Success.....	pg. 7
Part ID.....	pg. 8
Step-By-Step Instructions.....	pg. 14
Installation of ID/Warning Plaque.....	pg. 55

9409015

Rev 01/12/2022

Warnings and Safe Play Instructions



CONTINUOUS ADULT SUPERVISION REQUIRED. Most serious injuries and deaths on playground equipment have occurred while children were unsupervised! Our products are designed to meet mandatory and voluntary safety standards. Complying with all warnings and recommendations in these instructions will reduce the risk of serious or fatal injury to children using this play system. Go over the warnings and safe play instructions regularly with your children and make certain that they understand and follow them. Remember on-site adult supervision is required for children of all ages.



WARNING

SERIOUS HEAD INJURY HAZARD

Installation over concrete, asphalt, dirt, grass, carpet and other hard surface creates a risk of serious injury or death from falls to the ground. Install and maintain shock absorbing material under and around play-set as recommended on page 3 of these instructions.

COLLISION HAZARD

Place play-set on level ground at least 2m from any obstruction such as a garage or house, fences, poles, trees, sidewalks, walls, landscape timbers, rocks, pavement, planters, garden borders, overhanging branches, laundry lines, and electrical wires. (See OBSTACLE FREE SAFETY ZONE on cover)

CHOKING HAZARD/SHARP EDGES & POINTS

Adult assembly required. This product contains small parts and parts with sharp edges and points. Keep parts away from children until fully assembled.

WARNING LABEL

Owners shall be responsible for maintaining the legibility of the warning labels.

STRANGULATION HAZARD

- NEVER allow children to play with ropes, clotheslines, pet leashes, cables, chains or cord-like items when using this play-set or to attach these items to play-set.
- NEVER allow children to wear loose fitting clothing, ponchos, hoods, scarves, capes, necklaces, items with draw-strings, cords or ties when using this play-set.
- NEVER allow children to wear bike or sport helmets when using this play-set.

Failure to prohibit these items, even helmets with chin straps, increases the risk of serious injury and death to children from entanglement and strangulation.

TIP OVER HAZARD

Choose a level location for the equipment. This can reduce the likelihood of the play set tipping over and loose-fill surfacing materials washing away during heavy rains.

DO NOT allow children to play on the play-set until the assembly is complete and the unit is properly anchored.

Never add extra length to chain or rope. The chains or ropes provided are the maximum length designed for the swinging element(s).



WARNING – Safe Play Instructions

- ✓ Observe capacity limitations of your play-set. See front cover.
- ✓ Dress children with well fitting and full foot enclosing footwear.
- ✓ Teach children to sit with their full weight in the center of the swing seat to prevent erratic swing motion or falling off.
- ✓ Check for splintered, broken or cracked wood; missing, loose, or sharp edged hardware. Replace, tighten and or sand smooth as required prior to playing.
- ✓ Verify that suspended climbing ropes, rope ladders, chain or cable are secured at both ends and cannot be looped back on itself as to create an entanglement hazard.
- ✓ On sunny and or hot days, check the slide and other plastic rides to assure that they are not very hot as to cause burns. Cool hot slide and rides with water and wipe dry prior to using.
- ✓ Orientate slide such that it gets the least amount of exposure to the sun.
- ✗ Do not allow children to wear open toe or heel footwear like sandals, flip-flops or clogs.
- ✗ Do not allow children to walk, in front, between, behind or close to moving rides.
- ✗ Do not let children twist swing chains or ropes or loop them over the top support bar. This may reduce the strength of the chain or rope and cause premature failure.
- ✗ Do not let children get off rides while they are in motion.
- ✗ Do not permit climbing on equipment when it is wet.
- ✗ Do not permit rough play or use of equipment in a manner for which it was not intended. Standing on or jumping from the roof, elevated platforms, swings, climbers, ladders or slide can be dangerous.
- ✗ Do not allow children to swing empty rides or seats.
- ✗ Do not allow children to go down slide head first or run up slide.

⚠ Protective Surfacing - Reducing Risk of Serious Head Injury From Falls

One of the most important things you can do to reduce the likelihood of serious head injuries is to install shock-absorbing protective surfacing under and around your play equipment. The protective surfacing should be applied to a depth that is suitable for the equipment height in accordance with ASTM F1292. There are different types of surfacing to choose from; whichever product you select, follow these guidelines:

Loose-Fill Materials

- Maintain a minimum depth of 9 inches of loose-fill materials such as wood mulch/chips, engineered wood fiber (EWF), or shredded/recycled rubber mulch for equipment up to 8 feet high; and 9 inches of sand or pea gravel for equipment up to 5 feet high. NOTE: An initial fill level of 12 inches will compress to about a 9-inch depth of surfacing over time. The surfacing will also compact, displace, and settle, and should be periodically raked and refilled to maintain at least a 9-inch depth.
- Use a minimum of 6 inches of protective surfacing for play equipment less than 4 feet in height. If maintained properly, this should be adequate. (At depths less than 6 inches, the protective material is too easily displaced or compacted.)

NOTE: Do not install home playground equipment over concrete, asphalt, or any other hard surface. A fall onto a hard surface can result in serious injury to the equipment user. Grass and dirt are not considered protective surfacing because wear and environmental factors can reduce their shock absorbing effectiveness. Carpeting and thin mats are not adequate protective surfacing. Ground level equipment -- such as a sandbox, activity wall, playhouse or other equipment that has no elevated play surface -- does not need any protective surfacing.

- Use containment, such as digging out around the perimeter and/or lining the perimeter with landscape edging. Don't forget to account for water drainage.
- Periodically rake, check and maintain the depth of the loose-fill surfacing material. Marking the correct depth on the play equipment support posts will help you to see when the material has settled and needs to be raked and or replenished. Be sure to rake and evenly redistribute the surfacing in heavily used areas.
- Do not install loose fill surfacing over hard surfaces such as concrete or asphalt.

Poured-In-Place Surfaces or Pre-Manufactured Rubber Tiles

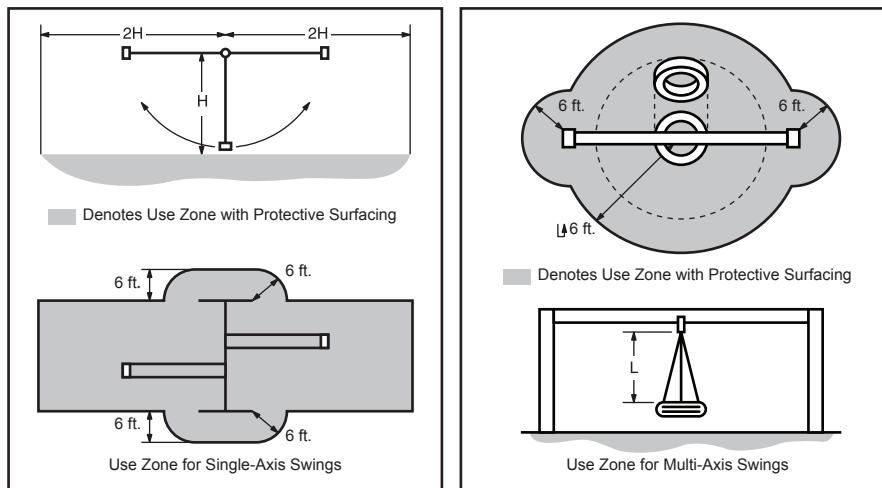
You may be interested in using surfacing other than loose-fill materials - like rubber tiles or poured-in-place surfaces.

- Installations of these surfaces generally require a professional and are not "do-it yourself" projects.
- Review surface specifications before purchasing this type of surfacing. Ask the installer/manufacturer for a report showing that the product has been tested to the following safety standard: ASTM F1292 *Standard Specification for Impact Attenuation of Surfacing Materials within the Use Zone of Playground Equipment*. This report should show the specific height for which the surface is intended to protect against serious head injury. This height should be equal to or greater than the fall height - vertical distance between a designated play surface (*elevated surface for standing, sitting, or climbing*) and the protective surfacing below - of your play equipment.
- Check the protective surfacing frequently for wear.

Placement

Proper placement and maintenance of protective surfacing is essential. Refer to diagram on front cover. Be sure to;

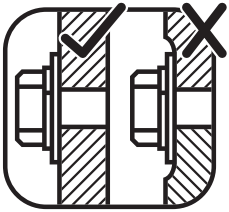
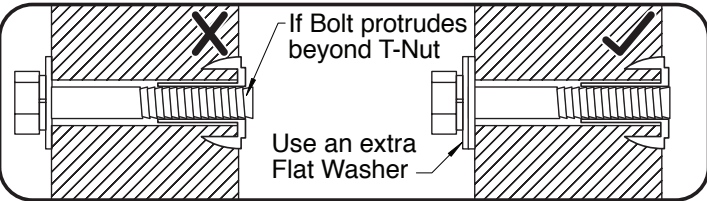
- Extend surfacing at least 2m from the equipment in all directions.
- For to-fro swings, extend protective surfacing in front of and behind the swing to a distance equal to twice the height of the top bar from which the swing is suspended.
- For tire swings, extend surfacing in a circle whose radius is equal to the height of the suspending chain or rope, plus 6 feet in all directions.



Instructions for Proper Maintenance

Your KidKraft Play System is designed and constructed of quality materials with your child's safety in mind. As with all outdoor products used by children, it will weather and wear. To maximize the enjoyment, safety and life of your Play Set, it is important that you, the owner, properly maintain it.

Check the following at the beginning of the play season:

<p>HARDWARE:</p> <ul style="list-style-type: none"> ✓ Check metal parts for rust. If found, sand and repaint using a non-lead paint complying with 16 CFR 1303. ✓ Inspect and tighten all hardware. On wood assemblies DO NOT OVERTIGHTEN as to cause crushing and splintering of wood. ✓ Check for sharp edges or protruding screw threads, add washers if required.   <p>SHOCK ABSORBING SURFACING:</p> <ul style="list-style-type: none"> ✓ Check for foreign objects. Rake and check depth of loose fill protective surfacing materials to prevent compaction and maintain appropriate depth. Replace as necessary. (See Protective Surfacing, page 3) 	<p>GROUND STAKES (ANCHORS):</p> <ul style="list-style-type: none"> ✓ Check for looseness, damage or deterioration. Should firmly anchor unit to ground during use. Re-secure and or replace, if necessary. <p>SWING HANGERS:</p> <ul style="list-style-type: none"> ✓ Check that bolts are secure and tight. Quick clips should be completely closed and threaded clips screwed tight. ✓ If squeaking occurs lubricate bushings with oil or WD-40®. <p>SWINGS, ROPES AND RIDES:</p> <ul style="list-style-type: none"> ✓ Reinstall if removed during cold season. Check all moving parts including swing seats, ropes, chains and attachments for wear, rust and other deterioration. Replace as needed. ✓ Check that ropes are tight, secure at both ends and cannot loop back as to create an entrapment. <p>WOOD PARTS:</p> <ul style="list-style-type: none"> ✓ Check all wood members for deterioration, structural damage and splintering. Sand down splinters and replace deteriorated wood members. As with all wood, some checking and small cracks in grain is normal. ✓ Unprotected, they will appear weathered over time. Periodic application of an exterior water repellent or stain (water-based) will help improve appearance and life.
--	--

Check twice a month during play season:

<p>HARDWARE:</p> <ul style="list-style-type: none"> ✓ Inspect for tightness. Must be firmly against, but not crushing the wood. DO NOT OVERTIGHTEN. This will cause splintering of wood. ✓ Check for sharp edges or protruding screw threads. Add washers if required. 	<p>SHOCK ABSORBING SURFACING:</p> <ul style="list-style-type: none"> ✓ Rake and check depth of loose fill protective surfacing materials to prevent compaction and maintain appropriate depth. Replace as necessary. (See Protective Surfacing, page 3)
--	---

Check once a month during play season:

<p>SWING HANGERS:</p> <ul style="list-style-type: none"> ✓ Check that they are secure and orientated correctly. Hook should rotate freely and perpendicular to support beam. ✓ If squeaking occurs lubricate bushings with oil or WD-40®. 	<p>SWINGS AND RIDES:</p> <ul style="list-style-type: none"> ✓ Check swing seats, all ropes, chains and attachments for fraying, wear, excessive corrosion or damage. Replace if structurally damaged or deteriorated.
--	---

Check at the end of the play season:

<p>SWINGS AND RIDES:</p> <ul style="list-style-type: none"> ✓ To prolong their life, remove swings and store inside when outside temperature is below 32°F/0°C. Below freezing, plastic parts may become more brittle. 	<p>SHOCK ABSORBING SURFACING:</p> <ul style="list-style-type: none"> ✓ Rake and check depth of loose fill protective surfacing materials to prevent compaction and maintain appropriate depth. Replace as necessary. (See Protective Surfacing, page 3)
--	---

If you dispose of your play set: Please disassemble and dispose of your unit so that it does not create any unreasonable hazards at the time it is discarded. Be sure to follow your local waste ordinances.

About Our Wood

KidKraft Premium Play Systems uses 100% FSC wood. Although we take great care in selecting the best quality lumber available, wood is still a product of nature and susceptible to weathering which can change the appearance of your set.

What causes weathering? Does it affect the strength of my Play System?

One of the main reasons for weathering is the effects of water (moisture); the moisture content of the wood at the surface is different than the interior of the wood. As the climate changes, moisture moves in or out of the wood, causing tension which can result in checking and or warping. You can expect the following due to weathering. These changes will not affect the strength of the product:

1. **Checking** is surface cracks in the wood along the grain. A post (4" x 4") will experience more checking than a board (1" x 4") because the surface and interior moisture content will vary more widely than in thinner wood.
2. **Warping** results from any distortion (twisting, cupping) from the original plane of the board and often happens from rapid wetting and drying of the wood.
3. **Fading** happens as a natural change in the wood color as it is exposed to sun-light and will turn a grey over time.

How can I reduce the amount of weathering to my Play System?

At the factory we have coated the wood with a water repellent or stain. This coating decreases the amount of water absorption during rain or snow thus decreasing the tension in the wood. Sunlight will break down the coating, so we recommend applying a water repellent or stain on a yearly basis (see your local stain and paint supplier for a recommended product).

Most weathering is just the normal result of nature and will not affect safe play and enjoyment for your child. However if you are concerned that a part has experienced a severe weathering problem please call our consumer relations department for further assistance.

Complete and mail registration card to receive important product notifications and assure prompt warranty service.

5 Year Limited Warranty

KidKraft warrants that this product is free from defect in materials and workmanship for a period of one year from the original date of purchase. In addition, lumber is warranted for 5 years against structural failure due to rot and insect damage. All other parts, such as hardware, swings, rides, accessories, and slides carry a one-year warranty only.

This warranty applies to the original owner and registrant and is non-transferable.

Regular maintenance is required to assure the integrity of your Play System. This warranty does not cover any inspection cost.

This Limited Warranty does not cover:

- Labor for replacement of any defective item(s);
- Incidental or consequential damages;
- Cosmetic defects which do not affect performance or integrity;
- Vandalism; improper use or installation; acts of nature;
- Minor twisting, warping, checking, or any other natural occurring properties of wood that do not affect performance or integrity.

KidKraft products have been designed for safety and quality. Any modifications made to the original product could damage the structural integrity of the unit leading to failure and possible injury.

Kidkraft cannot assume any responsibility for modified products. Furthermore, modification voids any and all warranties.

This product is warranted for **RESIDENTIAL USE ONLY**. Under no circumstance should a KidKraft Play System be used in public settings such as schools, churches, playgrounds, parks, day cares and the like. Such use may lead to product failure and potential injury. Any and all public use will void this warranty.

KidKraft disclaims all other representations and warranties of any kind, express or implied.

This Warranty gives you specific legal rights. You may have other rights as well which vary from state to state or province to province. This warranty excludes all consequential damages, however, some states do not allow the limitation or exclusion of consequential damages, and therefore this limitation may not apply to you.

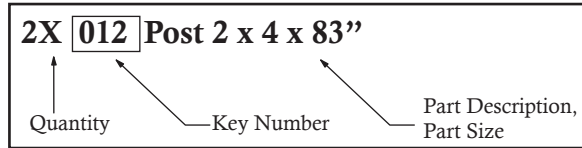
Keys to Assembly Success

Tools Required

<ul style="list-style-type: none"> • Tape Measure • Carpenters Level • Carpenters Square • Claw Hammer • Standard or Cordless Drill 	<ul style="list-style-type: none"> • #1 Phillips, #2 Robertson and Screwdriver • Ratchet with extension (1/2" & 9/16" sockets) 	<ul style="list-style-type: none"> • Open End Wrench (1/2" & 9/16") • Adjustable Wrench • 1/8" & 3/16" Drill Bits 	<ul style="list-style-type: none"> • 3/16" Hex Key • 8' Step Ladder • Safety Glasses • Adult Helpers • Pencil
--	--	--	--

Part Identification Key

On each page, you will find the parts and quantities required to complete the assembly step illustrated on that page. Here is a sample.



Key Number: The first two digits represent the step number. The third digit represents the piece. Note that if the part is used in multiple steps then the number only reflects the first step it is used in.

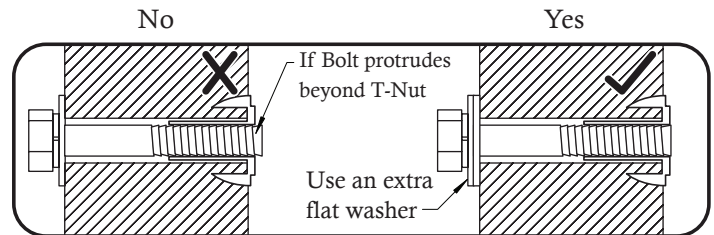
Symbols

Throughout these instructions symbols are provided as important reminders for proper and safe assembly.

<p>This identifies information that requires special attention. Improper assembly could lead to an unsafe or dangerous condition.</p>	<p>Check that set or assembly is properly level before proceeding.</p> <p>Use Level</p>
<p>Use Help</p> <p>Use Help</p> <p>Where this is shown, 2 or 3 people are required to safely complete the step. To avoid injury or damage to the assembly make sure to get help!</p>	<p>Pre-drill 1/8" & 3/16" Bit</p> <p>Pre-drill a pilot hole before fastening screw or lag to prevent splitting of wood.</p>
<p>Measure Distance</p> <p>Check that assembly is square before tightening bolts.</p> <p>Square Assembly</p> <p>Use a measuring tape to assure proper location.</p>	<p>Tighten Bolts</p> <p>This indicates time to tighten bolts, but not too tight! Do not crush the wood. This may create splinters and cause structural damage.</p>

CAUTION – Protrusion Hazard

Once the assembly is tightened, watch for exposed threads. If a thread protrudes from the T-Nut, remove the bolt and add washers to eliminate this condition. Extra washers have been provided for this purpose.

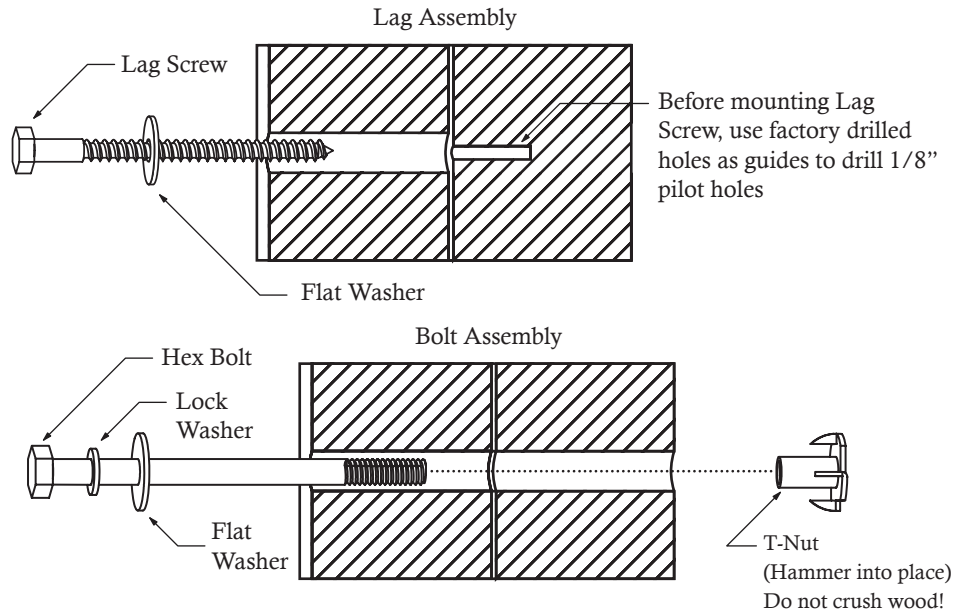


Proper Hardware Assembly

Lag screws require drilling pilot holes to avoid splitting wood. Only a flat washer is required. For ease of installation liquid soap can be used on all lag-type screws.

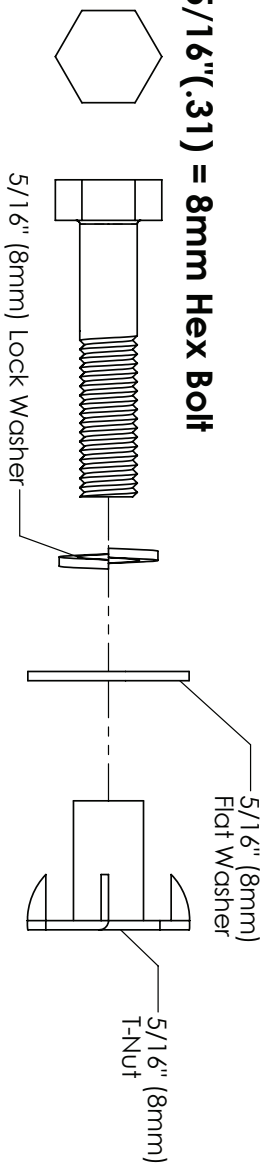
For bolts, tap T-Nut into hole with hammer. Insert the hex bolt through lock washer first then flat washer then hole. Because the assemblies need to be squared do not completely tighten until instructed. Pay close attention to diameter of the bolts. 5/16" is slightly larger than 1/4".

Note: Wafer head bolts with blue lock tight or a bolt with a Ny-Lok nut do NOT require a lock washer.

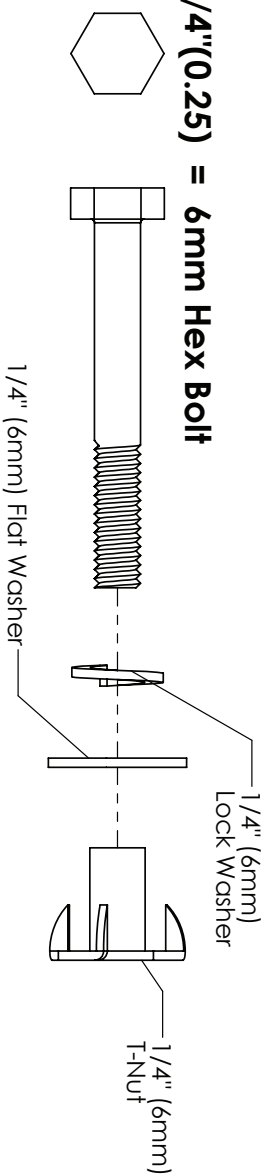


KIDKRAFT DESIGN HARDWARE

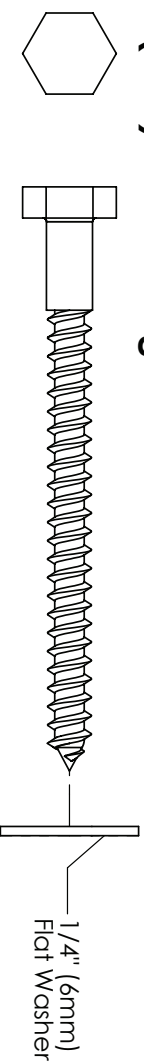
5/16"(.31) = 8mm Hex Bolt



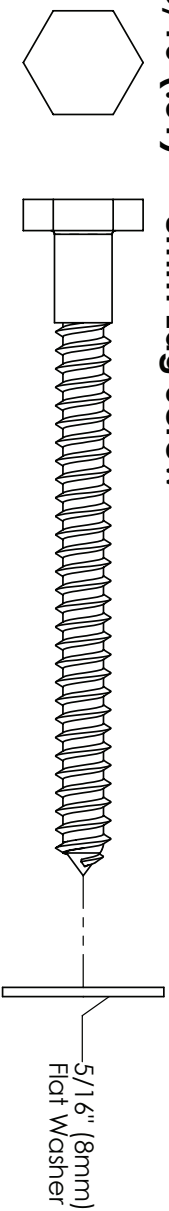
1/4"(0.25) = 6mm Hex Bolt



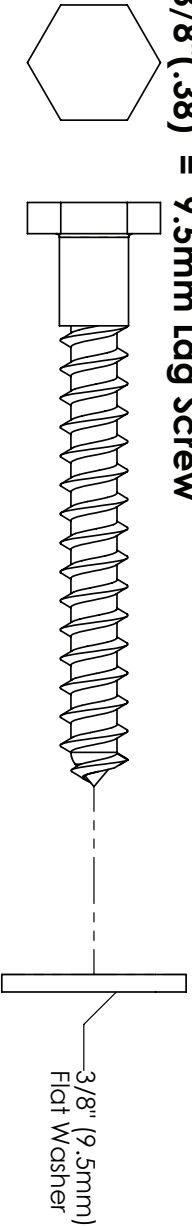
1/4"(0.25) = 6mm Lag Screw



5/16"(.31) = 8mm Lag Screw



3/8"(.38) = 9.5mm Lag Screw



HARDWARE LENGTH CHART
inches vs millimetres

6	152
5½	140
5	127
4½	114
4	102
3½	89
3	76
2½	64
2	51
1½	38
1¼	32
1-1/8	29
1	25.4
7/8	22
3/4	19
1/2	12.7

DIAMETER CONVERSION

1 inch = 25.4mm

For example:

BOLT DIAMETER 5/16 (0.31) inches

0.31 inches x 25.4mm = 8mm

LENGTH CONVERSION

1 inch = 25.4mm

For example:

BOLT LENGTH 4½ (4.5) inches long

4.5 inches x 25.4mm = 114mm long

Part Identification (Reduced Part Size)

Nominal Size	Actual Size
1" x 2"	5/8" x 1 3/8"
1" x 4"	5/8" x 3 3/8"
1" x 5"	7/8" x 4 1/2"
1" x 6"	5/8" x 5 3/8"

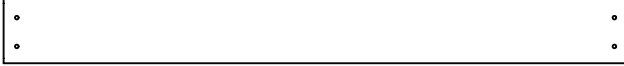
1pc. - **1923** Side Top (1 x 4 x 26-7/8") - Box 1 - 3131923



1pc. - **1922** Seat Rail (1 x 4 x 27") - Box 1 - 3131922



2pc. - **0304** CE Floor Board (1 x 4 x 32-1/2") - Box 1 - 3130304



1pc. - **1925** Sw Top (1 x 4 x 36") - Box 1 - 3131925



1pc. - **1981** Top Side (1 x 4 x 36") - Box 1 - 3131981



3pc. - **1982** Wall Board (5/8 x 3 x 19") - Box 1 - 3131982



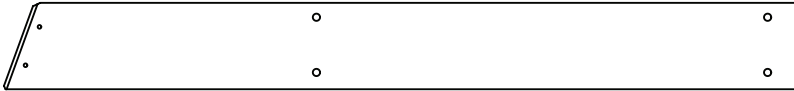
1pc. - **1920** Seat Bottom (1 x 5 x 17-3/4") - Box 1 - 3131920



2pc. - **1911** Table Top (1 x 5 x 28-7/8") - Box 1 - 3561911



1pc. - **1914** Cafe Ground (1 x 5 x 41-1/2") - Box 1 - 3131914



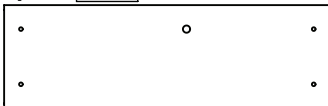
1pc. - **1917** Lower Back (1 x 5 x 56-7/8") - Box 1 - 3131917



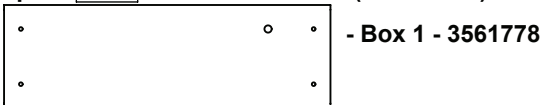
1pc. - **1928** Lower Side (1 x 5 x 59-11/16") - Box 1 - 3131928



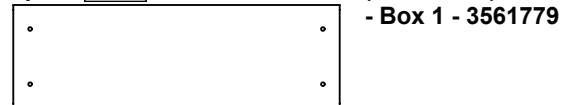
3pc. - **1777** CE Rock Board B (1 x 6 x 17") - Box 1 - 3561777



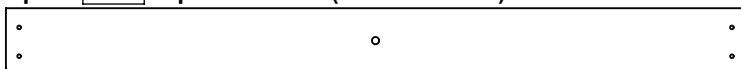
2pc. - **1778** CE Rock Board A (1 x 6 x 17")



1pc. - **1779** CE Access Board (1 x 6 x 17")

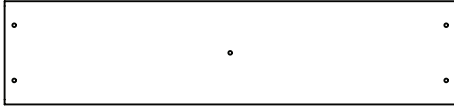


2pc. - **1980** Top Front Back (1 x 4 x 38-1/2") - Box 1 - 3131980



Part Identification (Reduced Part Size)

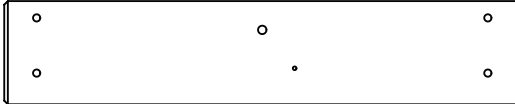
5pc. - **1776** Floor Board (1 x 6 x 23-1/2") - Box 1 - 3131776



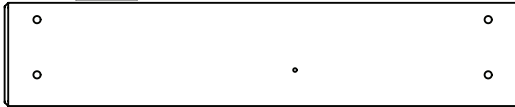
2pc. - **1774** CE Gap Board (1 x 6 x 23-1/2") - Box 1 - 3131774



1pc. - **1924** SW Floor (1 x 6 x 26-7/8") - Box 1 - 3131924



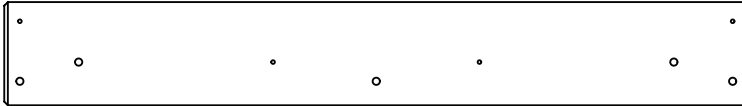
1pc. - **1760** Floor (1 x 6 x 26-7/8") - Box 1 - 3131760



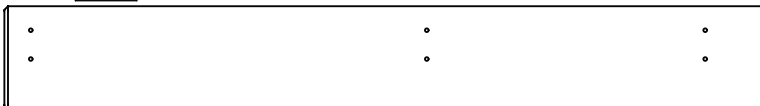
1pc. - **1910** Seat (1 x 6 x 28-7/8") - Box 1 - 3561910



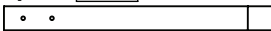
1pc. - **1913** Back Floor (1 x 6 x 38-3/4") - Box 1 - 3131913



1pc. - **1767** Lower Front (1 x 6 x 39-3/4") - Box 1 - 3131767



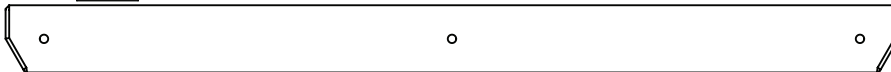
5pc. - **0318** Ground Stake (1-1/4 x 1-1/2 x 14") - Box 1 - 3650318



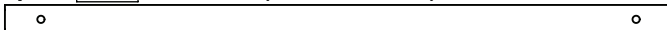
1pc. - **1763** Floor Joist (5/4 x 2 x 38-1/2") - Box 1 - 3131763



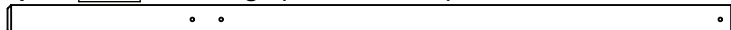
1pc. - **1862** SW Support (5/4 x 4 x 46-1/2") - Box 1 - 3131862



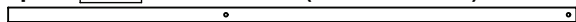
1pc. - **1761** Side Joist (2 x 2 x 34-3/4") - Box 1 - 3131761



1pc. - **1919** Roof Ridge (2 x 2 x 37-7/8") - Box 1 - 3131919



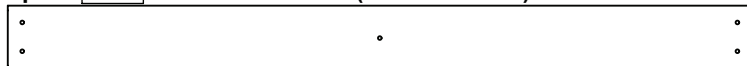
1pc. - **1912** Back Divider (2 x 2 x 59-3/8") - Box 1 - 3131912



2pc. - **1766** Corner Block (2 x 3 x 4-1/2") - Box 1 - 3131766



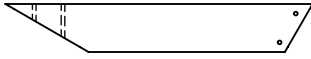
1pc. - **1990** Chalk Wall Brace (1 x 2 x 38-1/2") - Box 1 - 3131990



Nominal Size	Actual Size
1" x 6"	5/8" x 5 3/8"
5/4" x 4"	1" x 3 1/4"
2" x 2"	1 1/2" x 1 1/2"
2" x 3"	1 3/8" x 2 1/2"

Part Identification (Reduced Part Size)

1pc. - **0312** Gusset (2 x 3 x 16") - Box 1 - 3130312

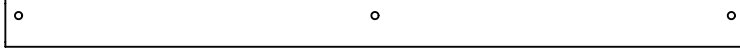


Nominal Size	Actual Size
2" x 4" 2" x 6"	1 " x 3 " 1½" x 5 "

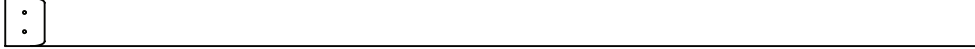
1pc. - **0369** Lower Diagonal (2 x 3 x 37") - Box 1 - 3130369



1pc. - **1764** Floor Front (2 x 3 x 38-1/2") - Box 1 - 3131764



2pc. - **0349** Rock Rail (2 x 3 x 51") - Box 1 - 3560349



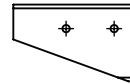
1pc. - **4919** SW Rail Block (2 x 4 x 5-3/8") - Box 1 - 3134919



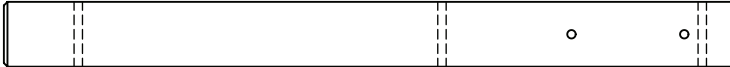
2pc. - **1921** Seat Post (2 x 4 x 11") - Box 1 - 3131921



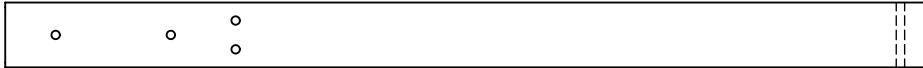
3pc. - **10860** Filling (1" x 2" x 3 1/4") - Box 1 - 31310860



1pc. - **1861** Sw Mount (2 x 4 x 38-1/8") - Box 1 - 3131861



1pc. - **1856** SW Upright (2 x 4 x 48-5/16") - Box 1 - 3131856



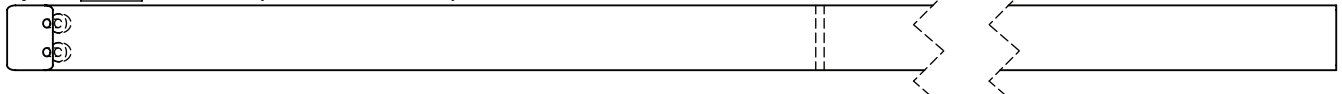
1pc. - **1916** Front Divider (2 x 4 x 59-1/4") - Box 1 - 3131916



4pc. - **1500** Post (2 x 4 x 83") - Box 1 - 3131500



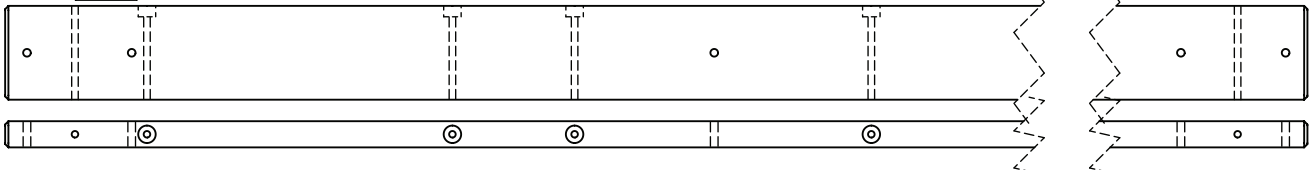
2pc. - **1863** SW Post (2 x 4 x 86-11/16") - Box 1 - 3131863



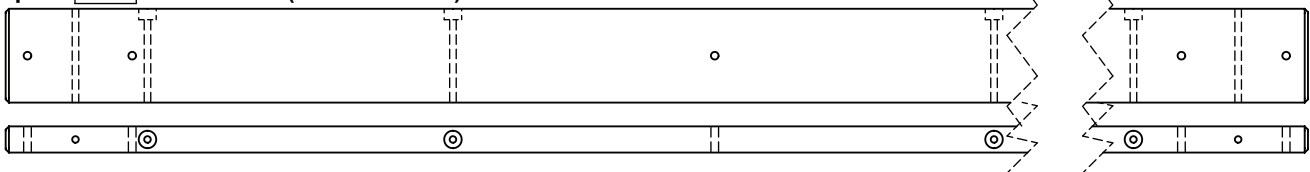
2pc. - **1926** Table Support (2 x 6 x 12-5/16") - Box 1 - 3131926



1pc. - **1825** Back Beam (2 x 6 x 83-5/8") - Box 1 - 3131825

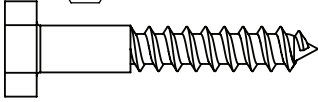


1pc. - **1826** Front Beam (2 x 6 x 83-5/8") - Box 1 - 3131826

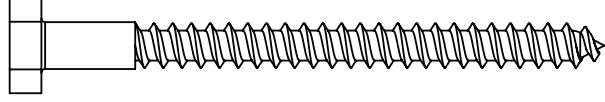


Hardware Identification (Actual Size)

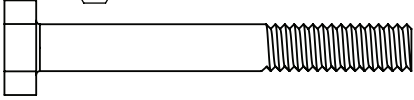
8pc. **LS1** - Lag Screw 1/4 x 1-1/2" - (9262212)



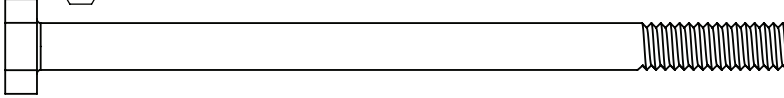
9pc. **LS3** - Lag Screw 1/4 x 3" - (9262230)



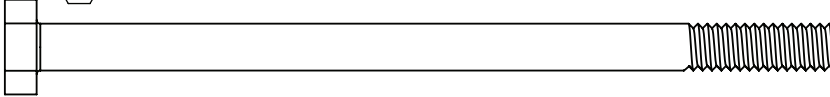
27pc. **H2** - Hex Bolt 1/4 x 2" - (9277220)



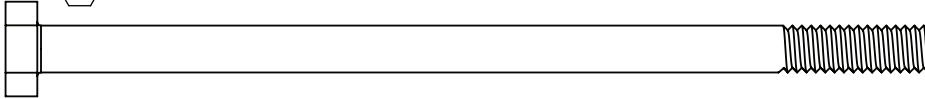
3pc. **H4** - Hex Bolt 1/4 x 4" - (9277240)



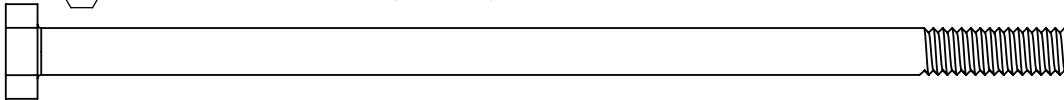
1pc. **H8** - Hex Bolt 1/4 x 4-1/4" - (9277241)



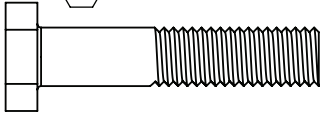
3pc. **H6** - Hex Bolt 1/4 x 4-3/4" - (9277243)



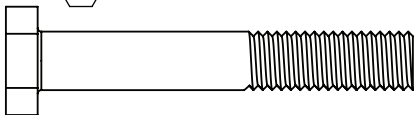
4pc. **H7** - Hex Bolt 1/4 x 5-1/2" - (9277252)



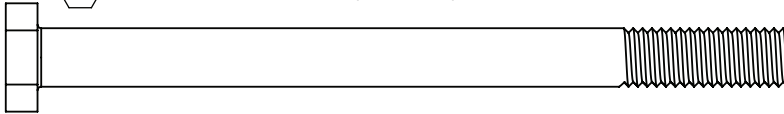
4pc. **G1** - Hex Bolt 5/16 x 1-1/2" - (9277312)



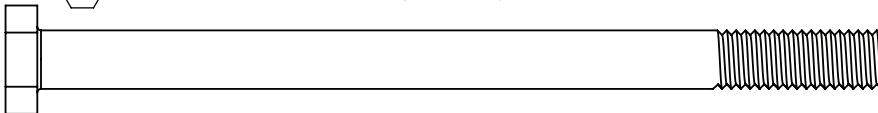
2pc. **G8** - Hex Bolt 5/16 x 2" - (9277320)



4pc. **G4** - Hex Bolt 5/16 x 4" - (9277340)

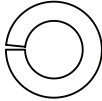


5pc. **G5** - Hex Bolt 5/16 x 4-1/2" - (9277342)



Hardware Identification (Actual Size)

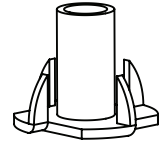
13pc. **LW2** - 5/16" Lock Washer - (9253300)



35pc. **FW3** - #8 Flat Washer - (9251500)



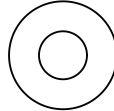
38pc. **TN1** - 1/4" T - Nut -(9285200)



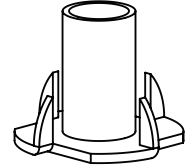
43pc. **LW1** - 1/4" Lock Washer - (9253200)



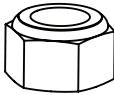
24pc. **FW0** - 3/16" Flat Washer - (9251100)



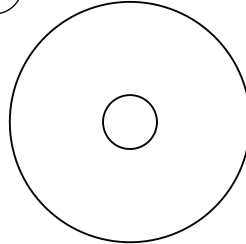
13pc. **TN2** - 5/16" T- Nut - (9285300)



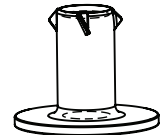
2pc. **LN2** - 5/16" Lock Nut - (9283300)



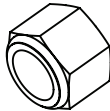
17pc. **FW2** - 5/16" Flat Washer - (9251300)



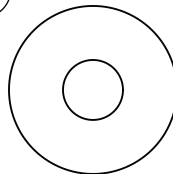
5pc. **BN1** - 1/4" Barrel Nut - (9248200)



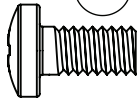
2pc. **LN4** - #12 Lock Nut - (9289600)



55pc. **FW1** - 1/4" Flat Washer - (9251200)



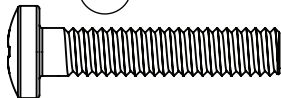
2pc. **MB1** - Pan Bolt #12 x 1/2" - (53433602)



22pc. **S1** - Wood Screw #8 x 1-1/8" - (52042514)



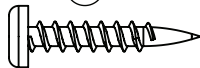
5pc. **PB2** - Pan Bolt 1/4 x 1-1/4" - (9274211)



83pc. **S2** - Wood Screw #8 x 1-1/2" - (52042512)



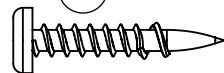
45pc. **S5** - Pan Screw #8 x 1/2" - (9264504)



10pc. **S15** - Wood Screw #8 x 1-3/4" - (52042513)



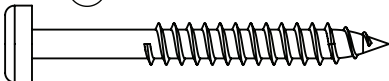
7pc. **S10** - Pan Screw #8 x 1" - (9264510)



11pc. **S3** - Wood Screw #8 x 2-1/2" - (52042522)



22pc. **S7** - Pan Screw #12 x 2" - (9264620)



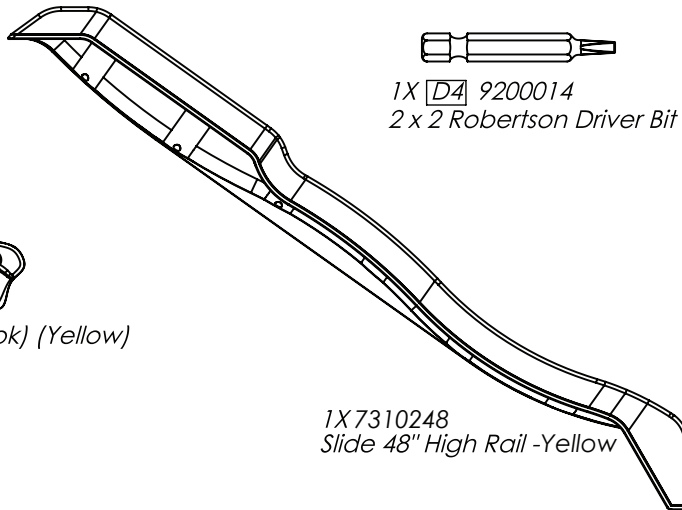
10pc. **S4** - Wood Screw #8 x 3" - (52042530)



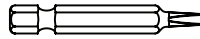
Part Identification (Reduced Part Size)



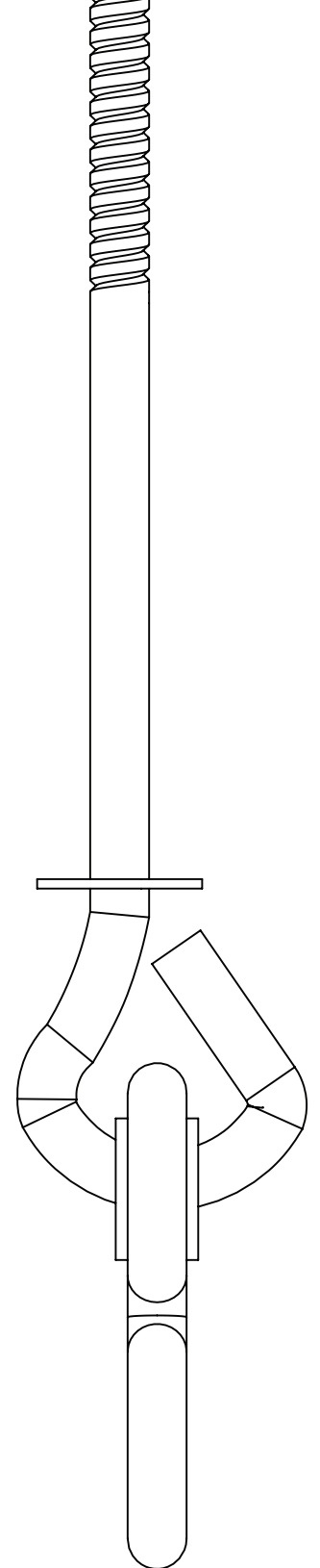
1X 3320286 Rocks (5pk) (Yellow)



1X 7310248 Slide 48" High Rail -Yellow



1X D4 9200014
2 x 2 Robertson Driver Bit



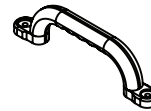
1X 3202001 Swing Hanger Bolt Thru. (6 Pk)



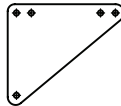
1X 9320374 KK Playset Plaque w hardware



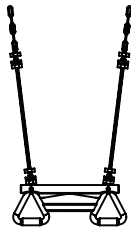
1X 3201102 Corner Brace Set (2pk)



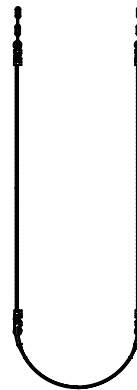
2X 9320240 Handgrip



1X 3201684 Triangle Plate (4pk) Graphite Grey



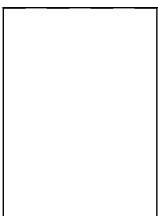
1X 3724908 24" Acro Swing Yellow w. welded chain



2X 3724943 42" Belt Swing Yellow w.welded chain

1X 3759015 Newport Canopy Set

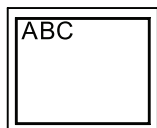
1X 9751410 Newport Main Canopy



1X 9752511 Newport Café Canopy

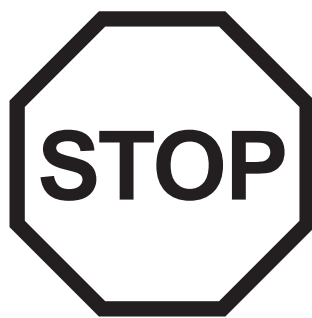
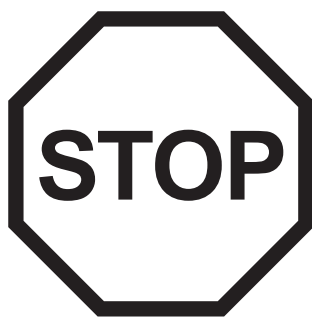
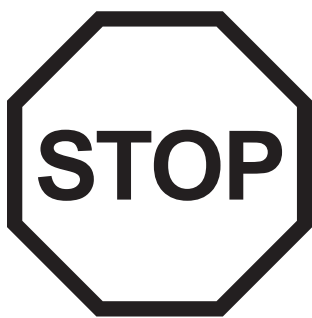


2X 9202510 Café Frame



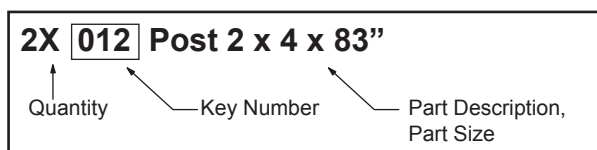
1X 9716111 Chalk Wall

Step 1: Inventory Parts - Read This Before Starting Assembly



A. This is the time for you to inventory all your hardware, wood and accessories, referencing the parts identification sheets. This will assist you with your assembly.

- The wood pieces will have the key number stamped on the ends of the boards. Organize the wood pieces by step, as per the key numbering system below.



Key Number: The first two digits represent the step number. The third digit represents the piece. Note that if the part is used in multiple steps then the number only reflects the first step it is used in.

- Please refer to Page 6 for proper hardware assembly.
- Each step indicates which bolts and/or screws you will need for assembly, as well as any flat washers, lock washers, t-nuts or lock nuts.

B. If there are any missing or damaged pieces or you need assistance with assembly please contact the consumer relations department directly. Call us before going back to the store.

1.800.933.0771 or 972.385.0100
customerservice@kidkraft.com
canadacustomerservice@kidkraft.com
For online parts replacement visit
<https://parts.kidkraft.com/>

+31 20 305 8620
europecustomerservice@KidKraft.com
For online parts replacement visit
<https://parts.kidkraft.eu/>

C. Read the assembly manual completely, paying special attention to ANSI warnings; notes; and safety/maintenance information.

D. Before you discard your cartons fill out the form below.

- The carton I.D. stamp is located on the end of each carton. The tracking number is located on the KidKraft ID Plaque (9320374).
- Please retain this information for future reference. You will need this information if you contact the Consumer Relations Department.

MODEL NUMBER: F29015

CARTON I.D. STAMP: _ _ _ _ _ (Box 1)

CARTON I.D. STAMP: _ _ _ _ _ (Box 2)

TRACKING NUMBER (from ID Plaque): _____

Step 2: Swing Beam Assembly

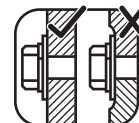
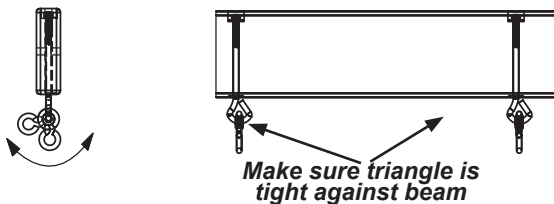


Fig. 2.4

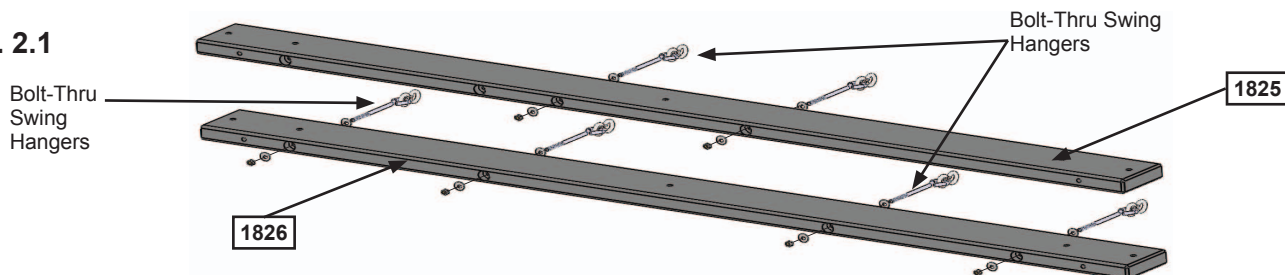


WARNING: For your child's safety, orientate the swing hangers as shown to ensure your swing will have proper swing motion when installed. Failure to do so could result in premature failure of the swing hanger or swing chain.

A: In the middle holes of (1825) Back Beam install 2 Bolt-Thru Swing Hangers (fig. 2.4) making sure the swing hangers are oriented in the direction shown in fig. 2.4 to maintain proper swing motion.

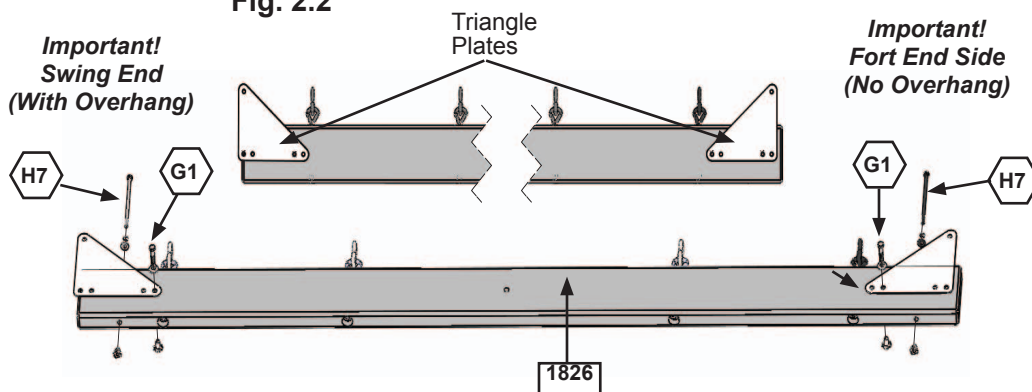
B: In the end holes of (1826) Front Beam install 4 Bolt-Thru Swing Hangers (fig. 2.1) making sure the swing hangers are oriented in the direction shown in fig. 2.4 to maintain proper swing motion.

Fig. 2.1



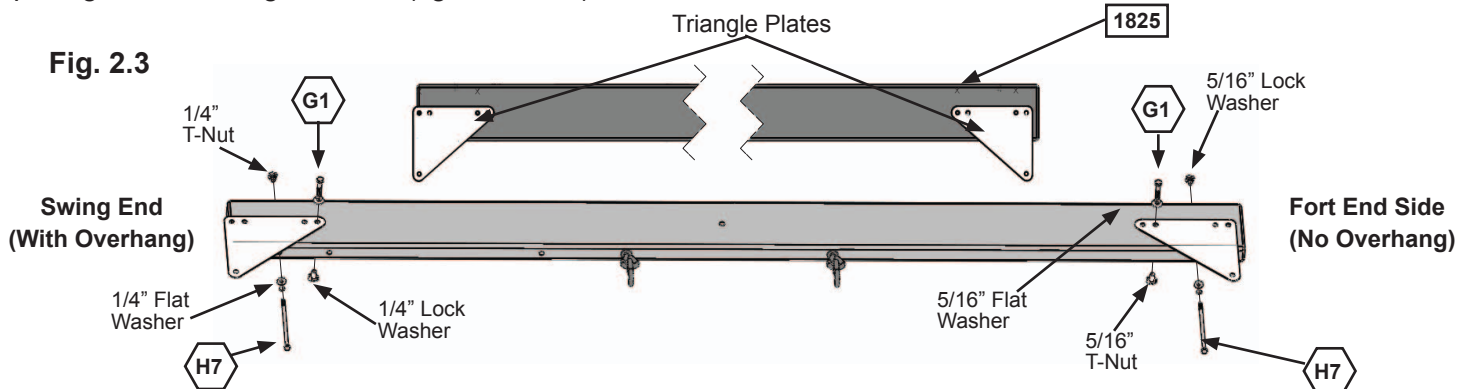
C: Attach 1 Triangle Plate to the ends of each (1826) Front Beam and (1825) Back Beam using 1 (G1) 5/16 x 1-1/2" Hex Bolt (with lock washer, flat washer and t-nut) in the hole indicated in fig. 2.2 & 2.3. **Correct hole usage is very important.**

Fig. 2.2



D: Attach 1 (H7) 1/4 x 5-1/2" Hex Bolt (with lock washer, flat washer and t-nut) to the ends of each (1826) Front Beam and (1825) Back Beam. The bolts do not attach to anything, but **MUST** be installed to the beams to prevent splitting and checking of wood. (fig. 2.2 & 2.3)

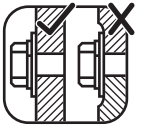
Fig. 2.3



Wood Parts	
1 x	1826 Front Beam 2 x 6 x 83-5/8"
1 x	1825 Back Beam 2 x 6 x 83-5/8"

Hardware	
4 x	H7 1/4 x 5-1/2" Hex Bolt (1/4" flat washer, 1/4" lock washer, 1/4" t-nut)
4 x	G1 5/16 x 1-1/2" Hex Bolt (5/16" flat washer, 5/16" lock washer, 5/16" t-nut)

Other Parts	
1 x	Bolt-Thru Swing Hangers (pkg of 6)
1 x	Triangle Plate (pkg of 4)

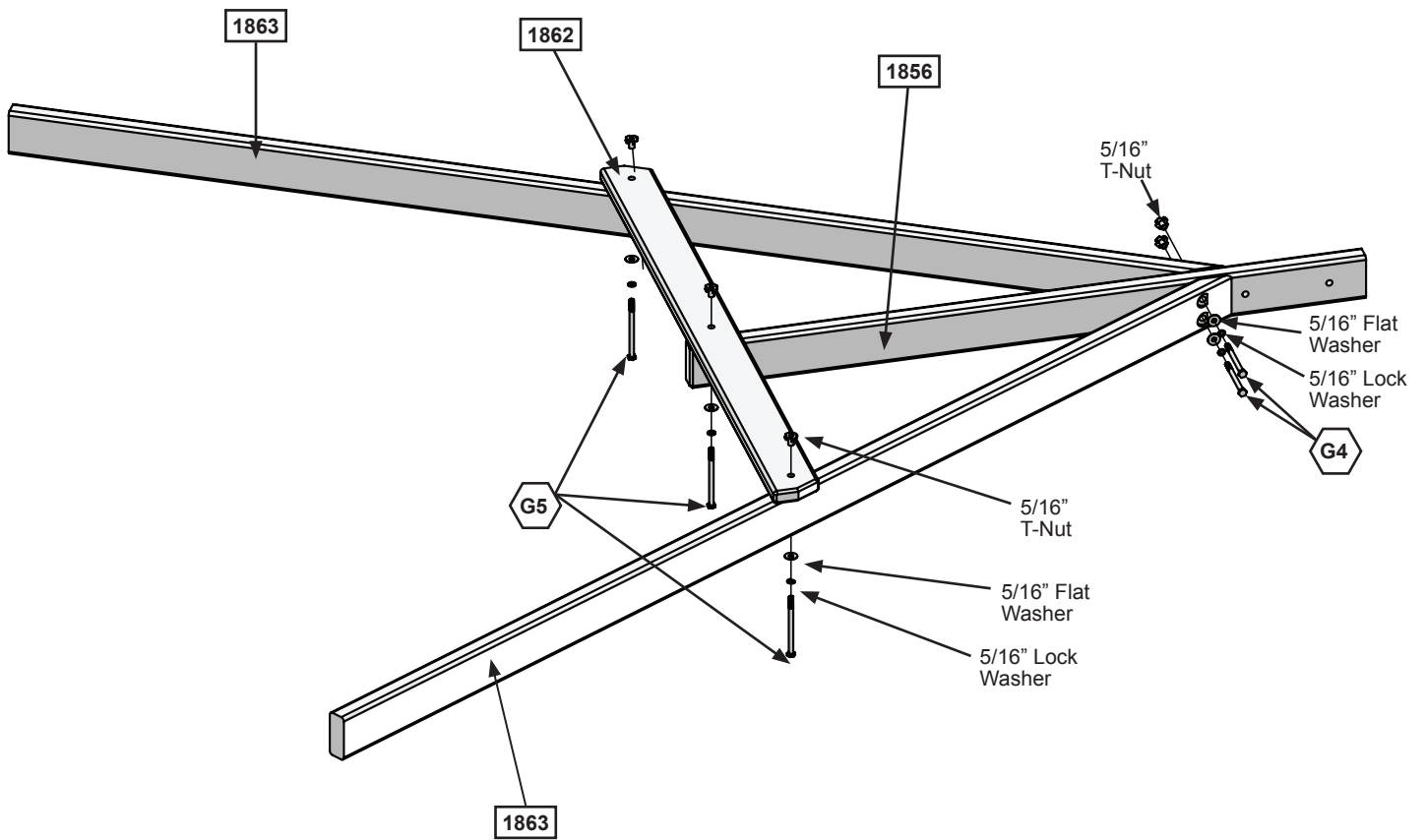


Step 3: Swing End Assembly

A: Attach 2 (1863) SW Posts to (1856) SW Upright using 2 (G4) 5/16 x 4" Hex Bolts (with lock washer, flat washer and t-nut). (fig. 3.1)

B: Attach (1862) SW Support to both (1863) SW Posts and (1856) SW Upright using 3 (G5) 5/16 x 4-1/2" Hex Bolts (with lock washer, flat washer and t-nut). (fig. 3.1)

Fig. 3.1



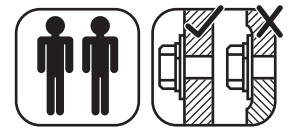
Wood Parts

- 2 x 1863 SW Post 2 x 4 x 86-11/16"
- 1 x 1862 SW Support 5/4 x 4 x 46-1/2"
- 1 x 1856 SW Upright 2 x 4 x 48-5/16"

Hardware

- 2 x G4 5/16 x 4" Hex Bolt
(5/16" lock washer, 5/16" flat washer, 5/16" t-nut)
- 3 x G5 5/16 x 4-1/2" Hex Bolt
(5/16" lock washer, 5/16" flat washer, 5/16" t-nut)

Step 4: Attach Swing End to Swing Beam



A: Place (4919) SW Rail Block in the centre between (1826) Front Beam and (1825) Back Beam and attach with 1 (H8) 1/4 x 4-1/4" Hex Bolt (with lock washer, flat washer and t-nut). (fig. 4.1 & 4.2)

Fig. 4.1

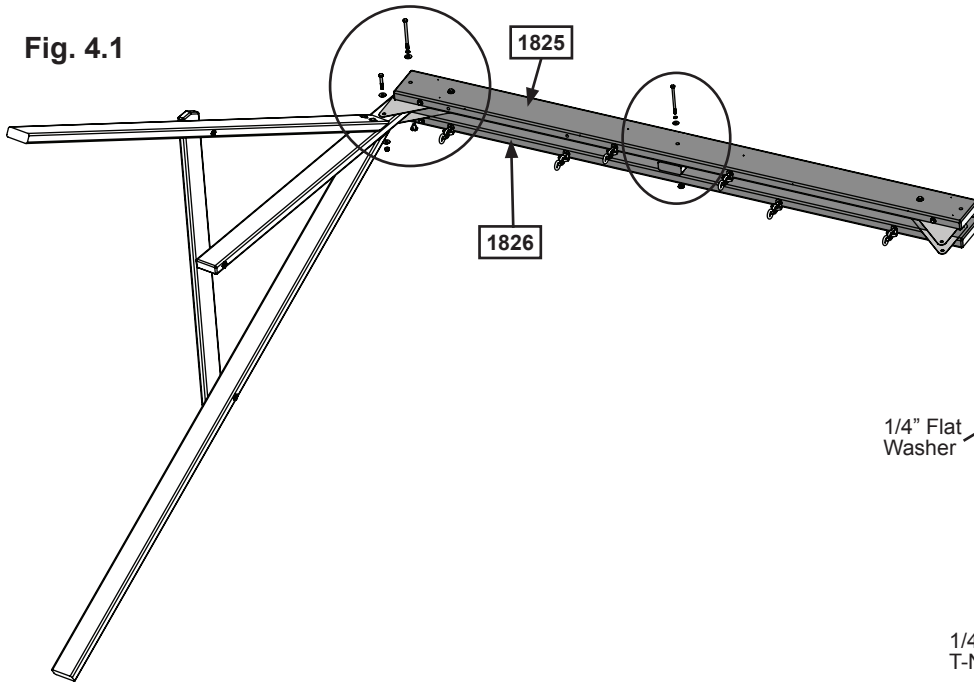
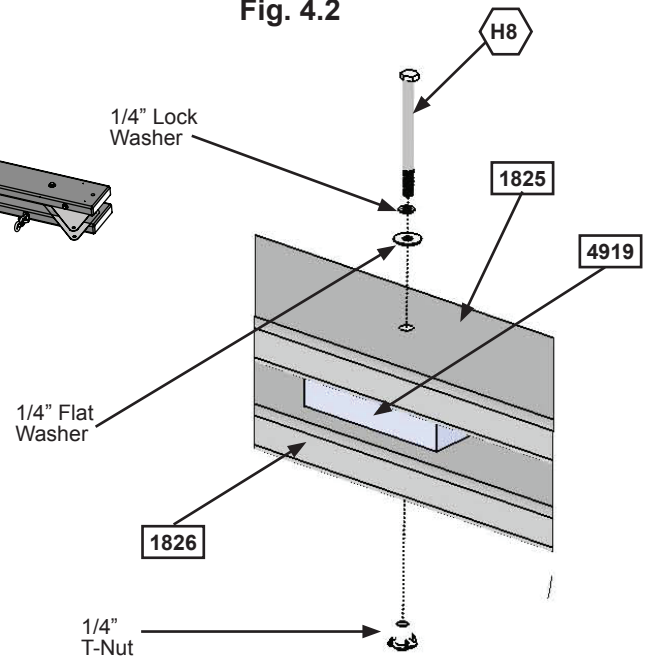


Fig. 4.2



B: Attach Swing Beam Assembly to the side of the Swing End Assembly with the overhang (fig. 4.3 & 4.4) using 1 (G5) 5/16 x 4-1/2" Hex Bolt (with lock washer, flat washer and t-nut) in the top hole of Triangle Plate and 1 (G8) 5/16 x 2" Hex Bolt (with 2 flat washers and lock nut) in the bottom hole of Triangle Plate. (fig. 4.4) Make sure Swing End Assembly flares out at an angle. (fig. 4.3)

Fig. 4.3

Side with overhang

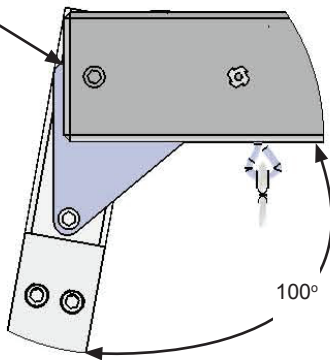
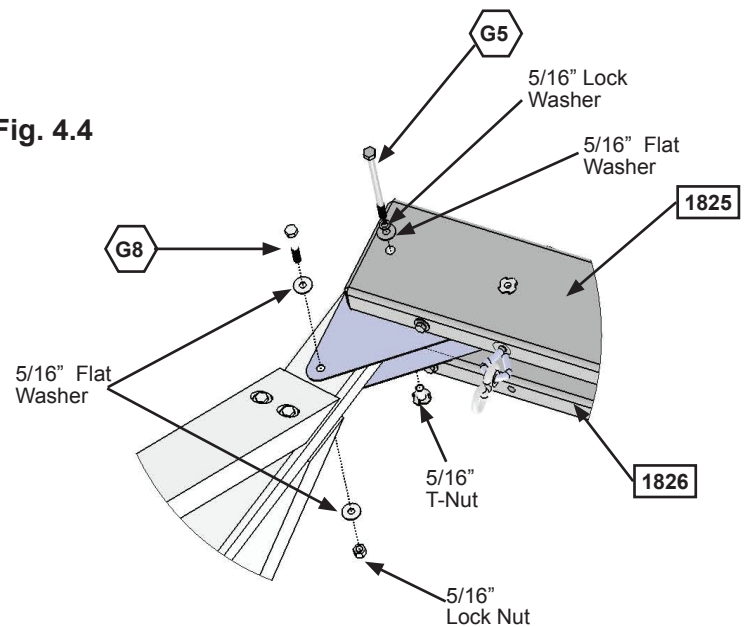


Fig. 4.4



Wood Parts

1 x [4919] SW Rail Block 2 x 4 x 5-3/8"

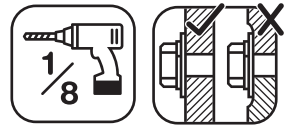
Hardware

1 x [H8] 1/4 x 4-1/4" Hex Bolt (1/4" lock washer, 1/4" flat washer, 1/4" t-nut)

1 x [G5] 5/16 x 4-1/2" Hex Bolt (5/16" lock washer, 5/16" flat washer, 5/16" t-nut)

1 x [G8] 5/16 x 2" Hex Bolt (5/16" flat washer x2, 5/16" lock nut)

Step 5: Cafe Wall Assembly



A: Attach (1914) Cafe Ground with 4 (H2) 1/4 x 2" Hex Bolts (with lock washer, flat washer and t-nut); (1760) Floor using 2 (H2) 1/4 x 2" Hex Bolts (with lock washer, flat washer and t-nut) in the bottom holes, noticing hole locations; (1923) Side Top with 2 (H2) 1/4 x 2" Hex Bolts (with lock washer, flat washer and t-nut) and (1981) Top Side with 2 (H2) 1/4 x 2" Hex Bolts (with lock washer, flat washer and t-nut) to 2 (1500) Posts as shown in fig. 5.1, 5.2 and 5.3.

Note: Pre-drill all holes using a 1/8" drill bit before installing the lag screws.

B: Make sure assembly is square and then fasten (1760) Floor to (1500) Posts in the top holes using 2 (LS1) 1/4 x 1-1/2" Lag Screws (with flat washer). (fig. 5.1 and 5.3)

Fig. 5.1

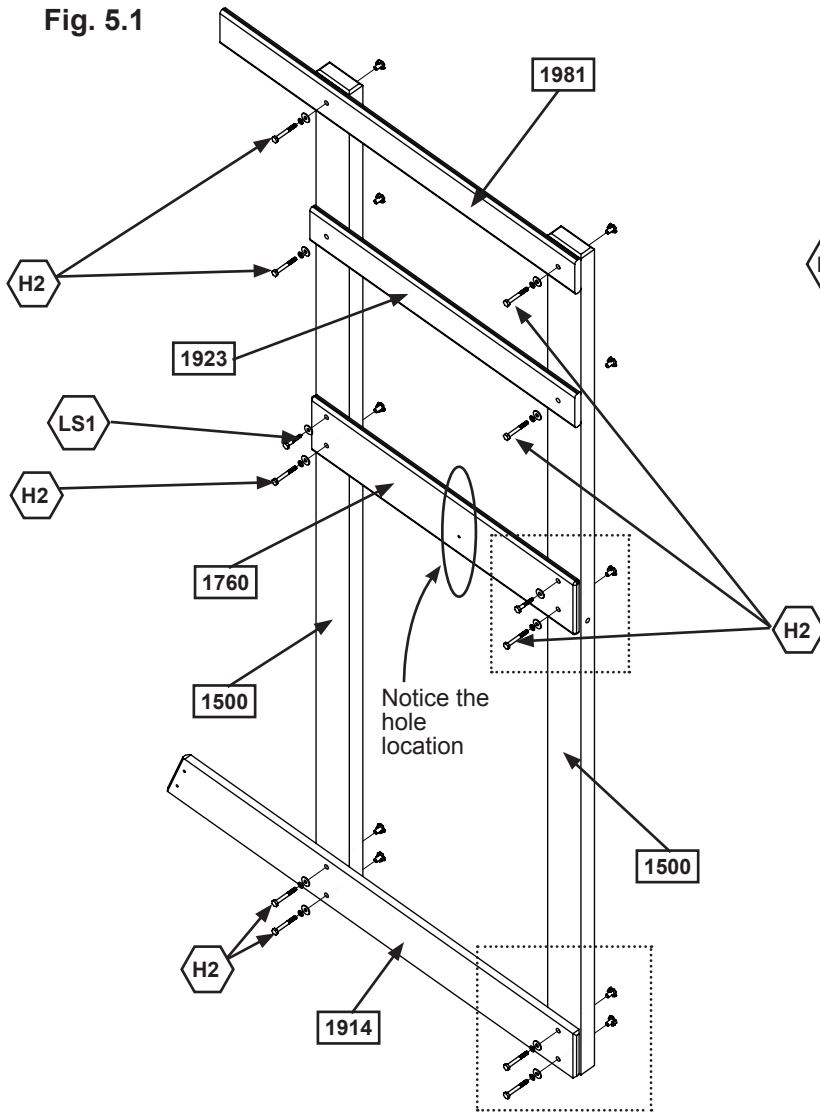


Fig. 5.2

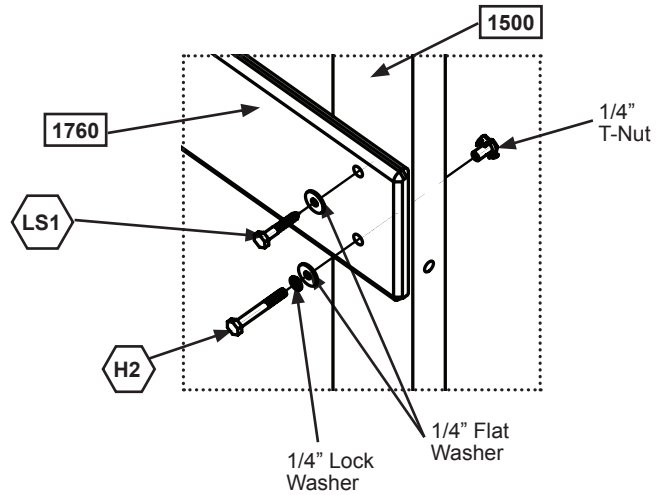
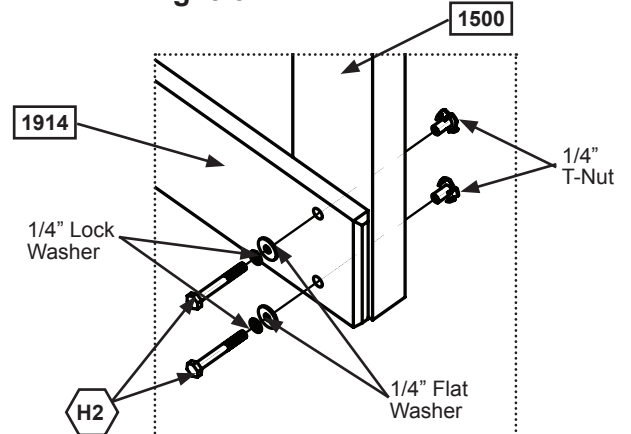


Fig. 5.3



Wood Parts

- 1 x **1914** Cafe Ground 1 x 5 x 41-1/2"
- 2 x **1500** Post 2 x 4 x 83"
- 1 x **1760** Floor 1 x 6 x 26-7/8"
- 1 x **1923** Side Top 1 x 4 x 26-7/8"
- 1 x **1981** Top Side 1 x 4 x 36"

Hardware

- 10 x **H2** 1/4 x 2" Hex Bolts (1/4" lock washer, 1/4" flat washer and 1/4" t-nut)
- 2 x **LS1** 1/4" x 1-1/2" Lag Screws (1/4" flat washer)

Step 6: Swing Wall Assembly

Part 1

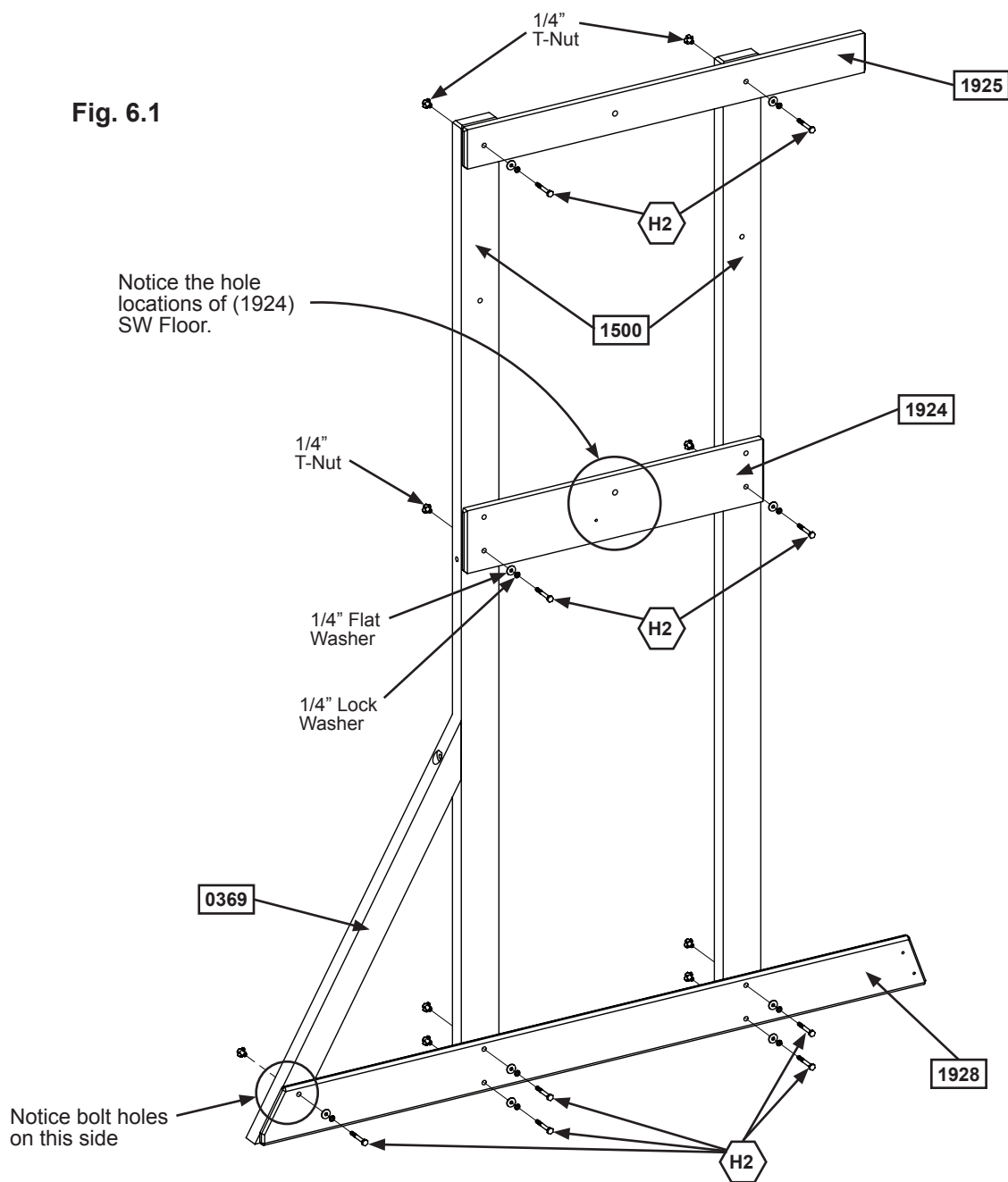


A: Attach (1928) Lower Side, noticing the side the bolt hole on the extended end is on, using 4 (H2) 1/4 x 2" Hex Bolts (with lock washer, flat washer and t-nut); (1924) SW Floor (in the bottom holes) and (1925) SW Top using 2 (H2) 1/4 x 2" Hex Bolts (with lock washer, flat washer and t-nut) for each board to 2 (1500) Posts. (fig. 6.1)

Note: Keep all bolts loose.

B: On the side indicated in fig. 6.1, attach (0369) Lower Diagonal to (1928) Lower Side with 1 (H2) 1/4 x 2" Hex Bolt (with lock washer, flat washer and t-nut).

Fig. 6.1



Wood Parts

- 1 x 1924 SW Floor 1 x 6 x 26-7/8"
- 1 x 1925 SW Top 1 x 4 x 36"
- 1 x 1928 Lower Side 1 x 5 x 59-11/16"
- 1 x 0369 Lower Diagonal 2 x 3 x 37"
- 2 x 1500 Post 2 x 4 x 83"

Hardware

- 9 x H2 1/4 x 2" Hex Bolts
(1/4" lock washer, 1/4" flat washer and 1/4" t-nut)

Step 6: Swing Wall Assembly

Part 2



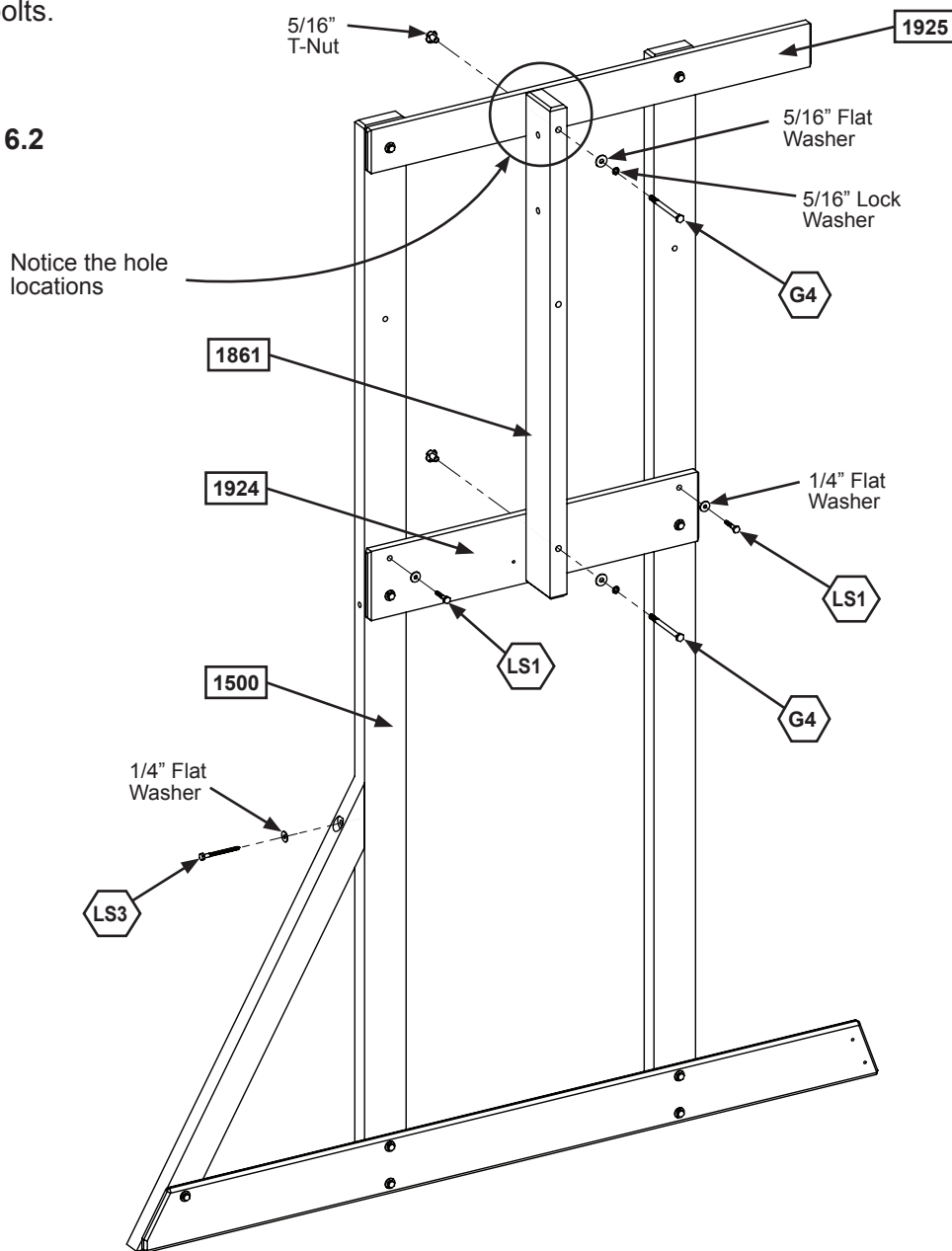
C: Place (1861) SW Mount across (1924) SW Floor and (1925) SW Top and attach using 2 (G4) 5/16 x 4" Hex Bolts (with lock washer, flat washer and t-nut) as shown in fig. 6.2. Notice the side hole locations are towards the top of the board.

Note: Pre-drill all holes using a 1/8" drill bit before installing the lag screws.

D: Make sure assembly is square then fasten (1924) SW Floor to (1500) Posts in the top holes using 2 (LS1) 1/4 x 1-1/2" Lag Screws (with flat washer); and (0369) Lower Diagonal to (1500) Post with 1 (LS3) 1/4 x 3" Lag Screw (with flat washer). (fig. 6.2)

E: Tighten all bolts.

Fig. 6.2



Wood Parts

1 x 1861 SW Mount 2 x 4 x 38-1/8"

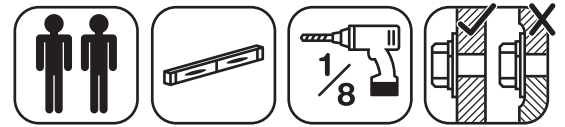
Hardware

2 x G4 5/16 x 4" Hex Bolts (5/16" lock washer, 5/16" flat washer and 5/16" t-nut)

2 x LS1 1/4" x 1-1/2" Lag Screws (1/4" flat washer)

1 x LS3 1/4" x 3" Lag Screws (1/4" flat washer)

Step 7: Fort Frame Assembly



A: On the front of the assembly side without the (0369) Lower Diagonal, attach (1764) Floor Front to both (1500) Posts, noticing the bolt holes are towards the bottom of the board, with 2 (H6) 1/4 x 4-3/4" Hex Bolts (with lock washer, flat washer and t-nut). (fig. 7.1 and 7.2)

B: On the back side of the assembly attach (1913) Back Floor to both (1500) Posts, noticing the middle bolt hole is oriented towards the bottom, with 2 (H4) 1/4 x 4" Hex Bolts (with lock washer, flat washer and t-nut) in the bottom holes. (fig. 7.1 and 7.2)

C: Make sure (1913) Back Floor is level and square to the posts, then attach with 2 (S7) #12 x 2" Pan Screws (with 3/16" flat washer). (fig. 7.1 and 7.2)

Fig. 7.1

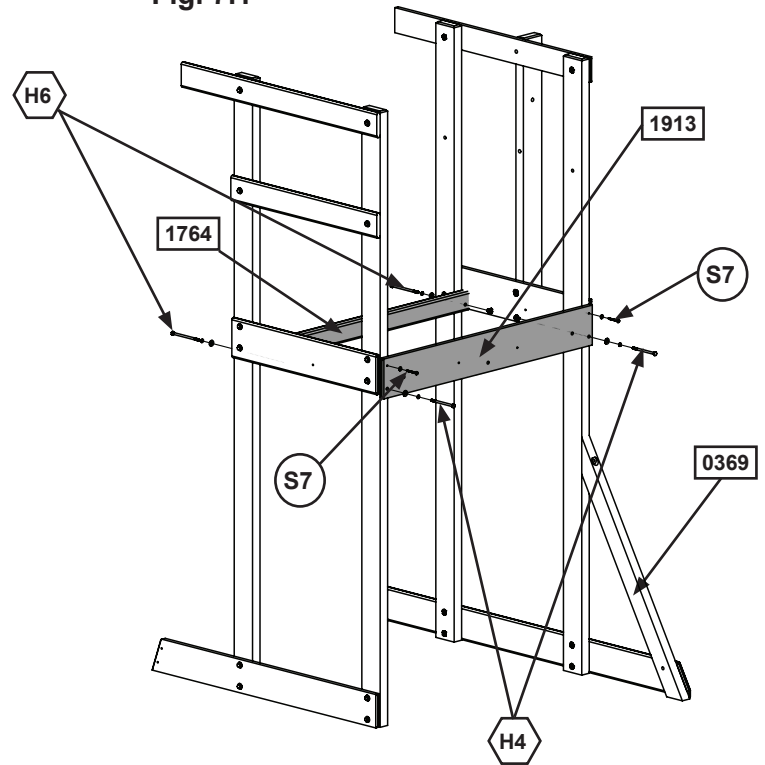
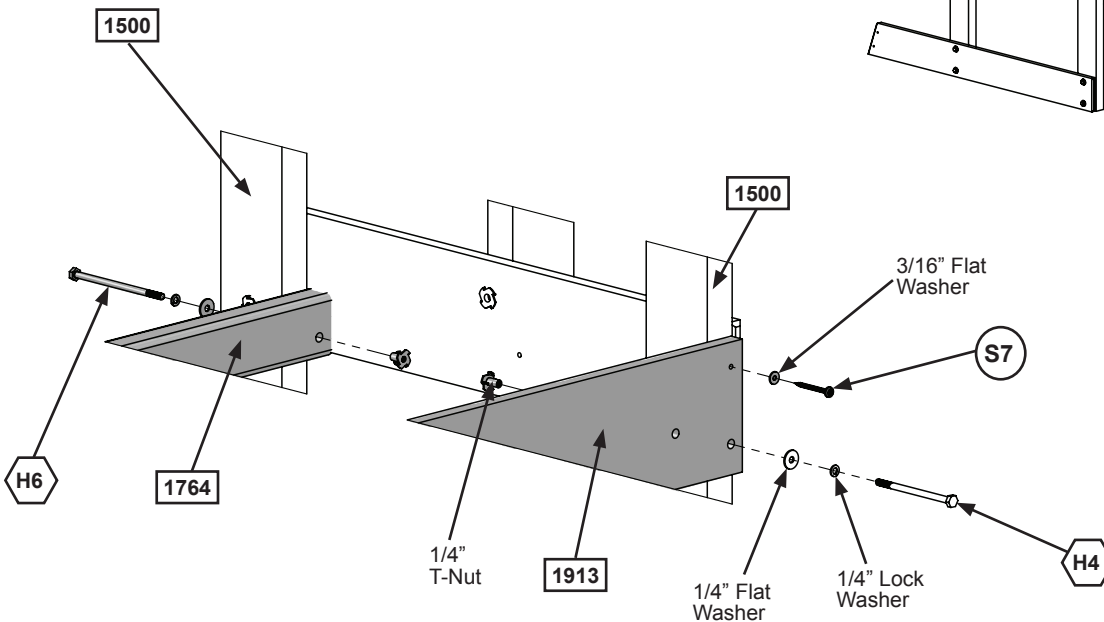


Fig. 7.2



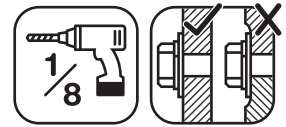
Wood Parts

- 1 x 1764 Floor Front 2 x 3 x 38-1/2"
- 1 x 1913 Back Floor 1 x 6 x 38-3/4"

Hardware

- 2 x H6 1/4 x 4-3/4" Hex Bolts (1/4" lock washer, 1/4" flat washer and 1/4" t-nut)
- 2 x H4 1/4 x 4" Hex Bolts (1/4" lock washer, 1/4" flat washer and 1/4" t-nut)
- 2 x S7 #12 x 2" Pan Screws (3/16" flat washer)

Step 8: Attach Lower Back



Note: Pre-drill all holes using a 1/8" drill bit before installing the lag screws.

A: Attach (1917) Lower Back to the bottom of the (1500) Posts on the back of the assembly with 2 (LS3) 1/4 x 3" Lag Screws (with flat washer) in the top (pre-drilled) holes and 2 (S7) #12 x 2" Pan Screws (with 3/16" flat washers) in the bottom holes. (fig. 8.1 and 8.2)

Fig. 8.1

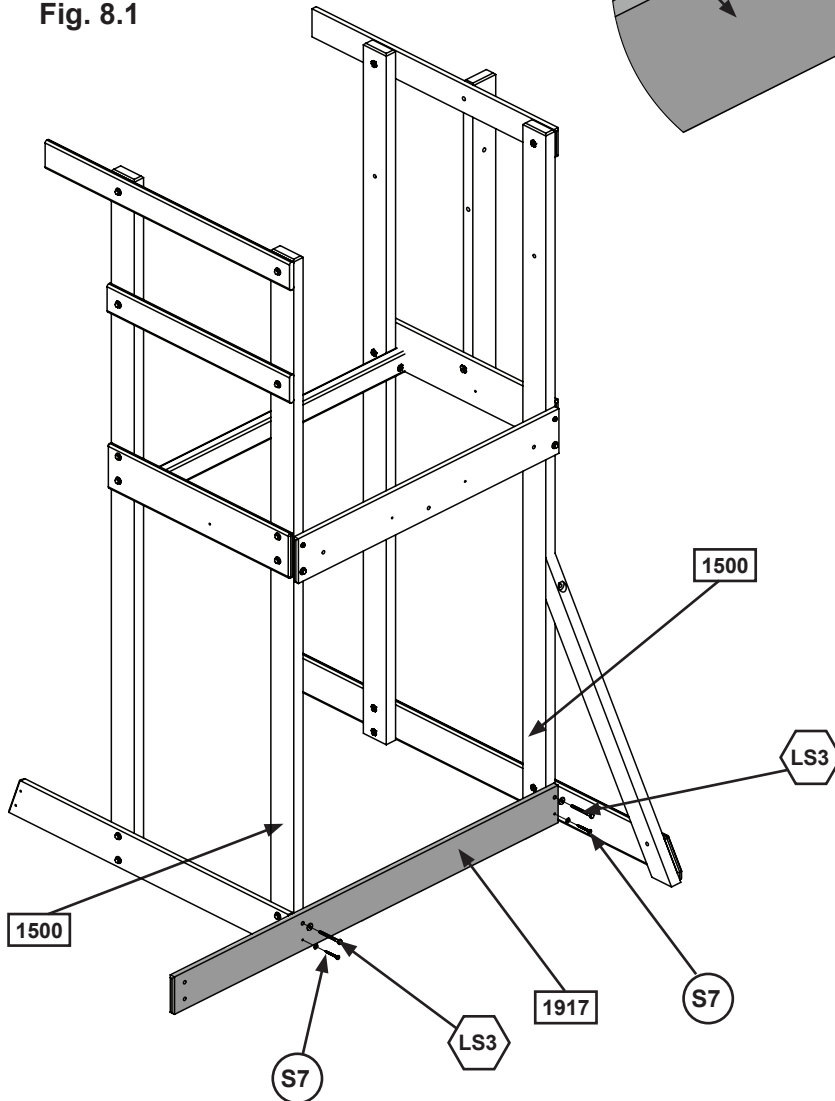
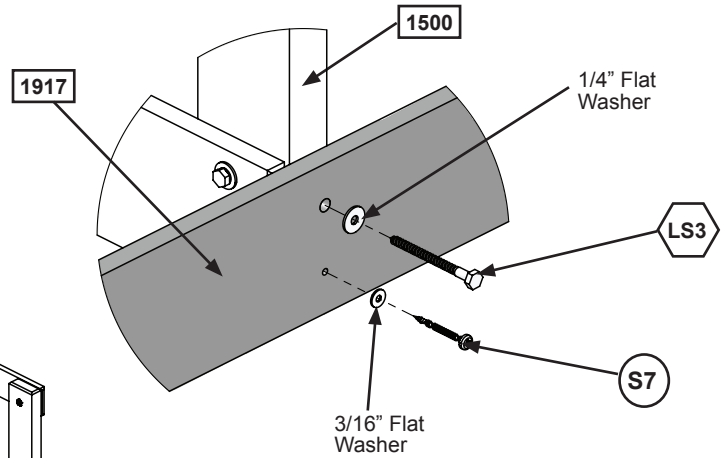


Fig. 8.2



Wood Parts

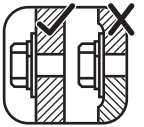
1 x 1917 Lower Back 1 x 5 x 56-7/8"

Hardware

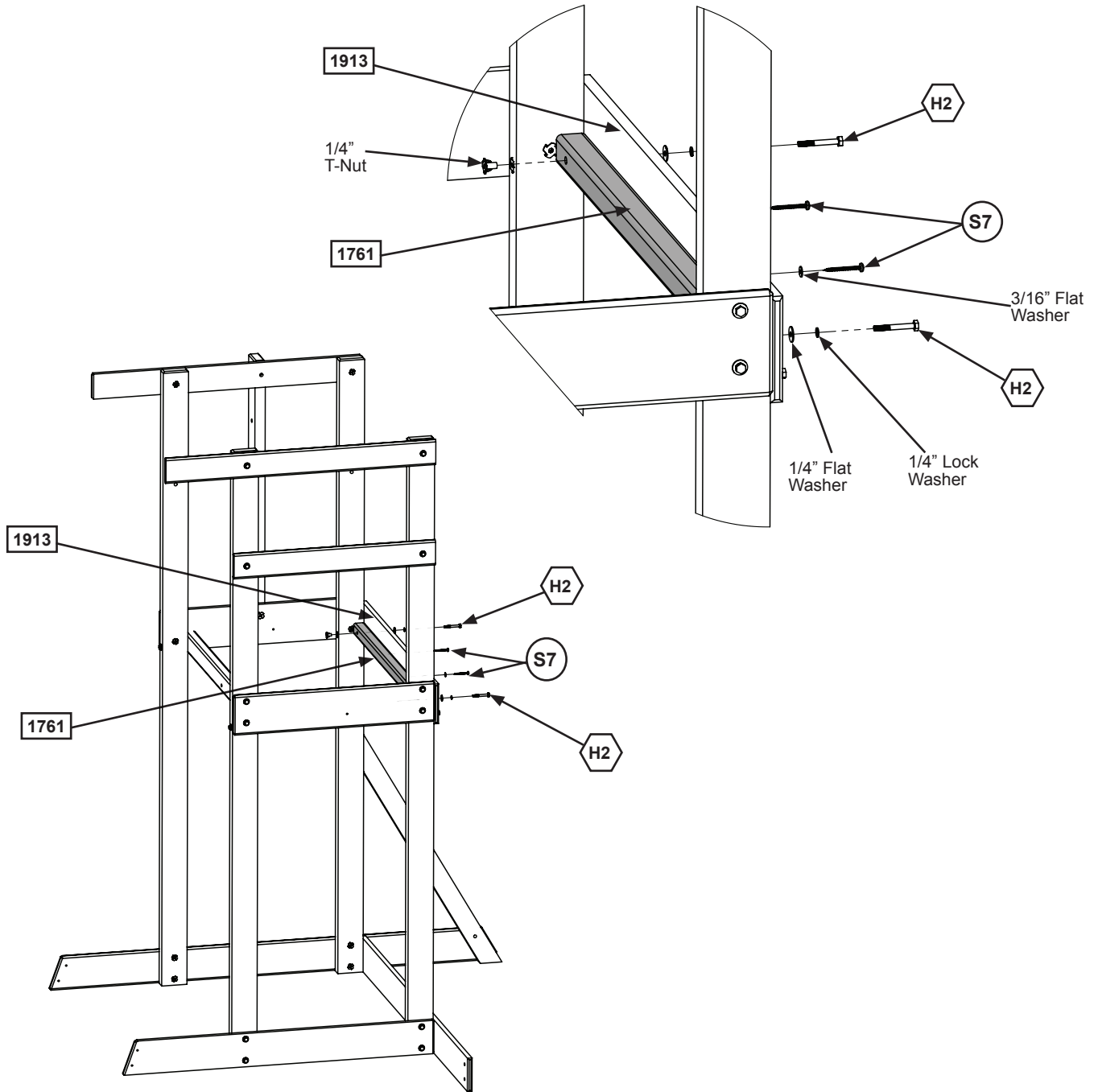
2 x LS3 1/4 x 3" Lag Screws (1/4" flat washer)

2 x S7 #12 x 2" Pan Screws (3/16" flat washer)

Step 9: Attach Side Joist



A: From inside the assembly attach (1761) Side Joist to (1913) Back Floor with 2 (H2) 1/4 x 2" Hex Bolts (with lock washer, flat washer and t-nut) in the outside holes and 2 (S7) #12 x 2" Pan Screws (with 3/16" flat washer) in the inside holes, as shown in fig. 9.1 and 9.2).



Wood Parts

1 x **1761** Side Joist 2 x 2 x 34-3/4"

Hardware

- 2 x **H2** 1/4 x 2" Hex Bolts (1/4" lock washer, 1/4" flat washer and 1/4" t-nut)
- 2 x **S7** #12 x 2" Pan Screws (3/16" flat washer)

Step 10: Rock Wall Frame

Part 1



A: Attach (1766) Corner Block to (0349) Rock Rail, flush to the bottom and long side, with 2 (S4) #8 x 3" Wood Screws, as shown in fig. 10.1 and 10.2. Notice which direction the angled edge of (0349) Rock Rail faces.

Fig. 10.1

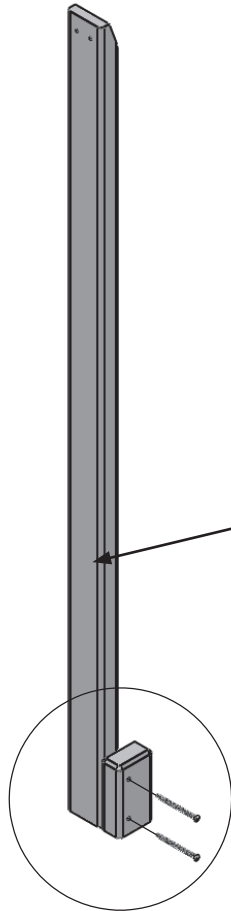
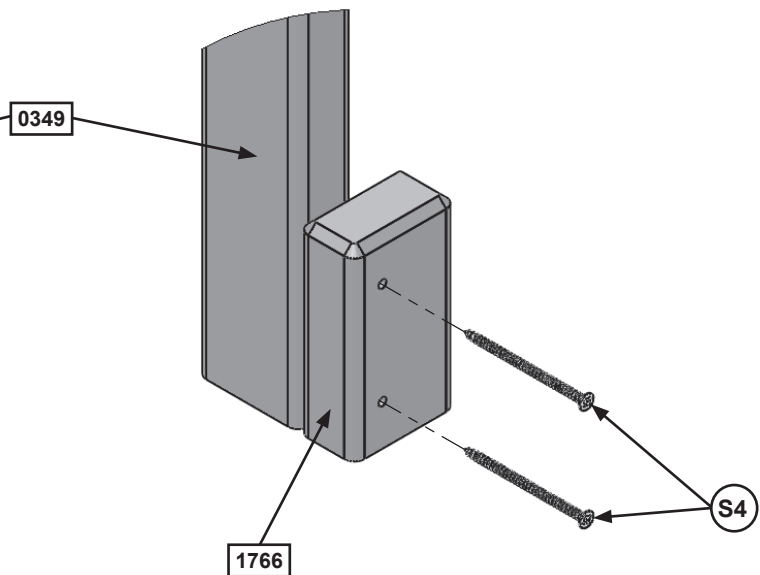


Fig. 10.2



Wood Parts

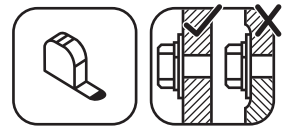
- 1 x 0349 Rock Rail 2 x 3 x 51"
- 1 x 1766 Corner Block 2 x 3 x 4-1/2"

Hardware

- 2 x S4 #8 x 3" Wood Screws

Step 10: Rock Wall Frame

Part 2



B: Place Rock Rail Assembly, from Step 10 Part 1, 5/8" above (1764) Floor Front and tight to (1500) Post on the Cafe Wall Side. (fig. 10.3 and 10.4). Attach (0349) Rock Rail to (1764) Floor Front using 2 (S15) #8 x 1-3/4" Wood Screws as shown in fig. 10.5.

C: Attach (1914) Cafe Ground to (1766) Corner Block with 2 (S2) #8 x 1-1/2" Wood Screws. (fig. 10.3 and 10.6)

Fig. 10.3

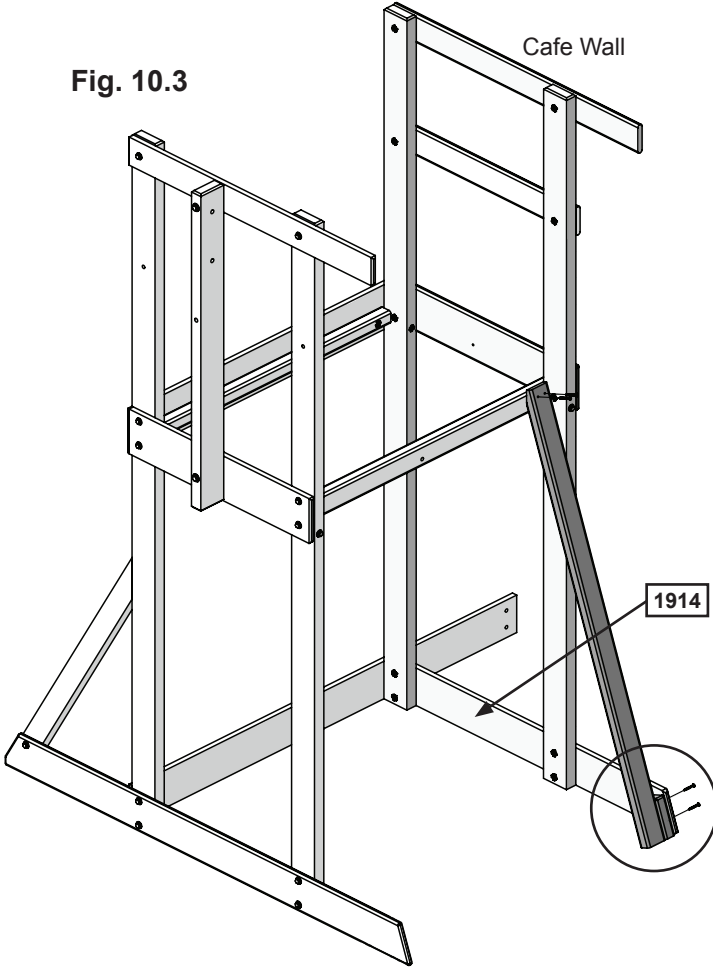


Fig. 10.4

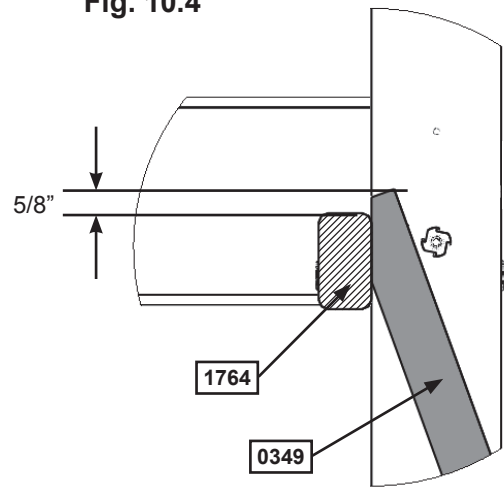


Fig. 10.5
Side View

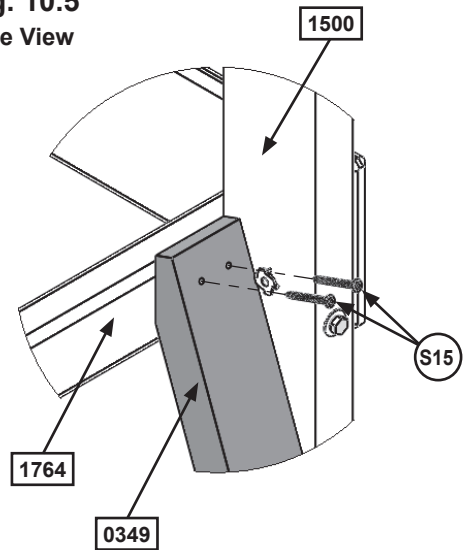
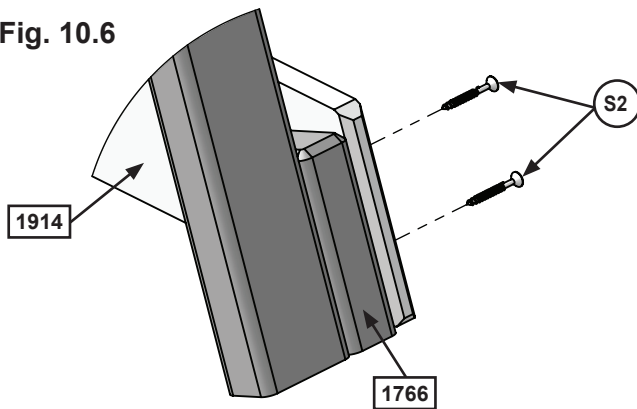


Fig. 10.6



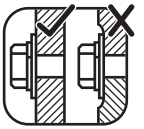
Hardware

2 x (S2) #8 x 1-1/2" Wood Screw

2 x (S15) #8 x 1-3/4" Wood Screw

Step 10: Rock Wall Frame

Part 3



D: Attach (1767) Lower Front to (0349) Rock Rail with 2 (S2) #8 x 1-1/2" Wood Screws. (fig. 10.7 and 10.8)

E: Place a second (1766) Corner Block flush to the top of (1928) Lower Side and tight to both (1767) Lower Front and (1928) Lower Side. Attach with 4 (S2) #8 x 1-1/2" Wood Screws as shown in fig. 10.9 and 10.10.

Fig. 10.7

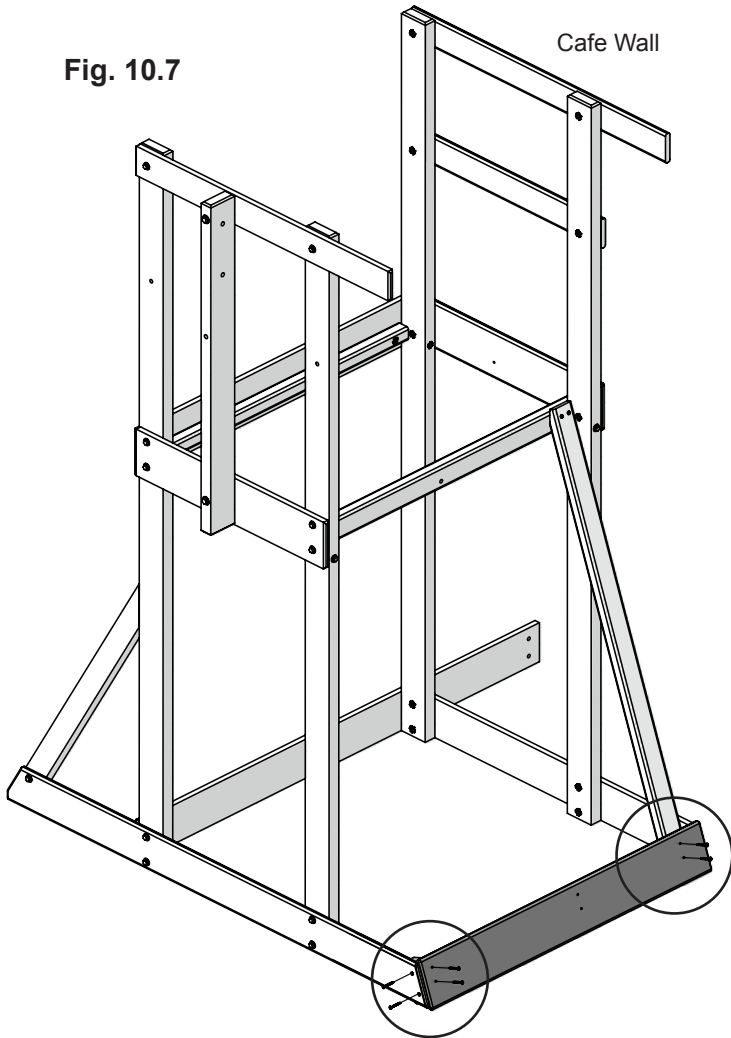


Fig. 10.8

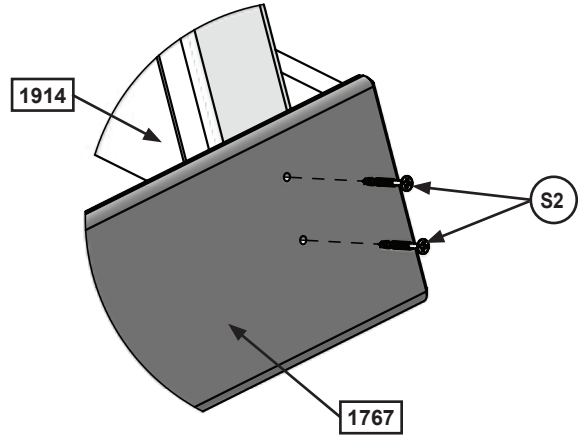


Fig. 10.10
Inside View

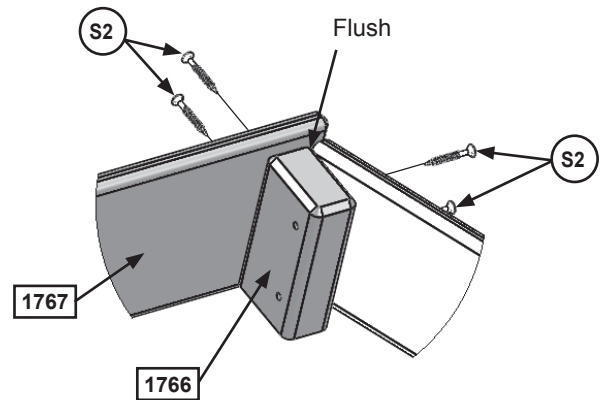
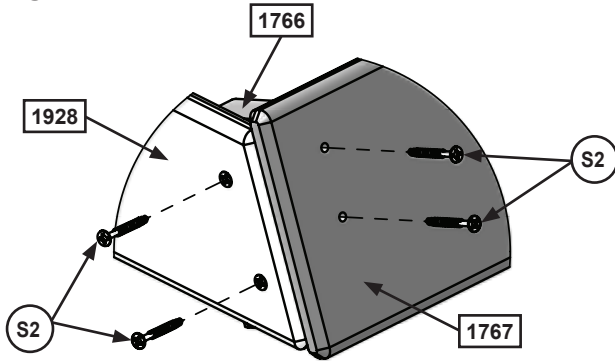


Fig. 10.9



Wood Parts

- 1 x 1766 Corner Block 2 x 3 x 4-1/2"
- 1 x 1767 Lower Front 1 x 6 x 39-3/4"

Hardware

- 6 x S2 #8 x 1-1/2" Wood Screw

Step 11: Attach Gusset to Fort



A: Make sure the assembly is square before proceeding.

B: From the inside of the assembly, attach (0312) Gusset flush to the outside edge of (1500) Post on the Swing Wall using 2 (S4) #8 x 3" Wood Screws. The other end of the gusset should be tight against (1764) Floor Front. (fig. 11.1 and 11.2)

C: Attach the other end of (0312) Gusset to (1764) Floor Front with 1 (S4) #8 x 3" Wood Screw and 1 (S3) #8 x 2-1/2" Wood Screw, as shown in fig. 11.1 and 11.2.

Fig. 11.1

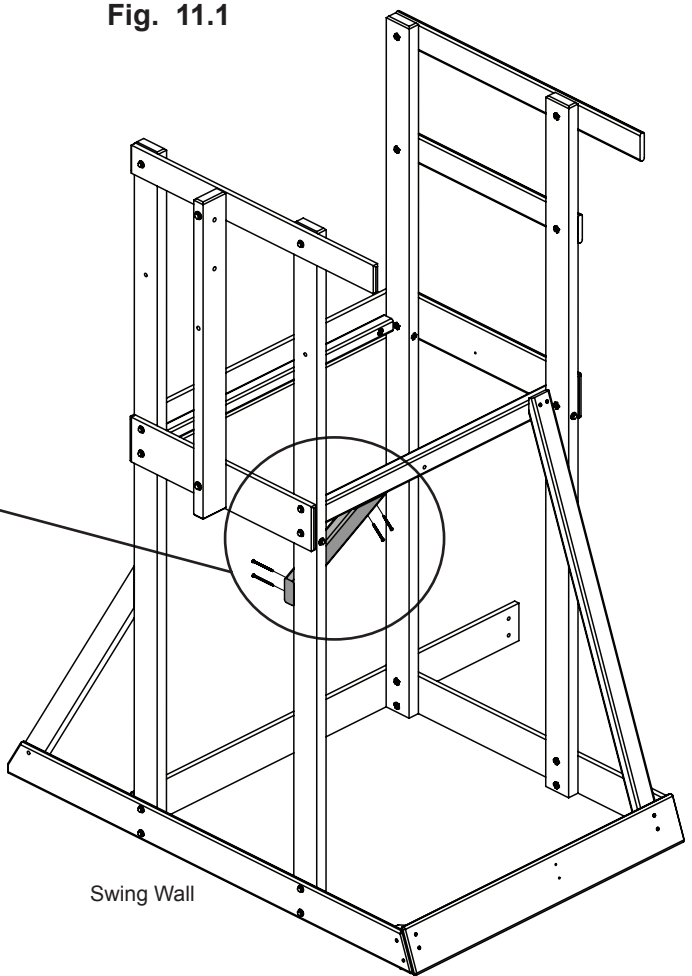
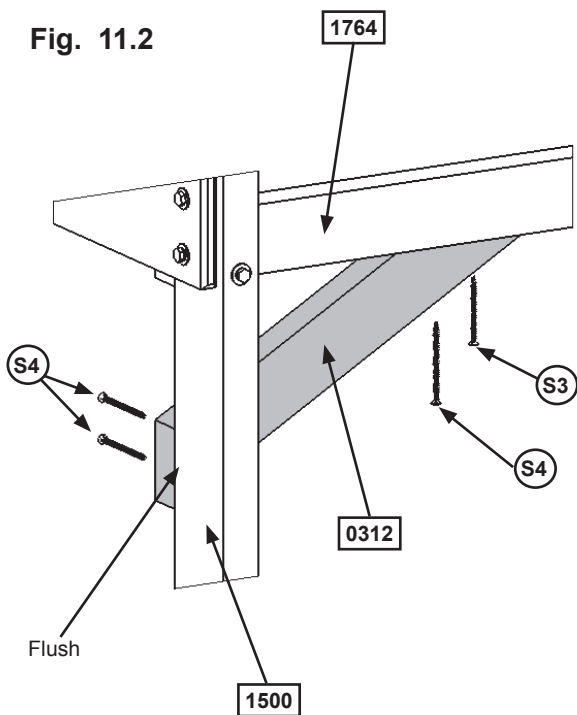


Fig. 11.2



Wood Parts

1x **0312** Gusset 2 x 3 x 16"

Hardware

1 x **S3** #8 x 2-1/2" Wood Screw

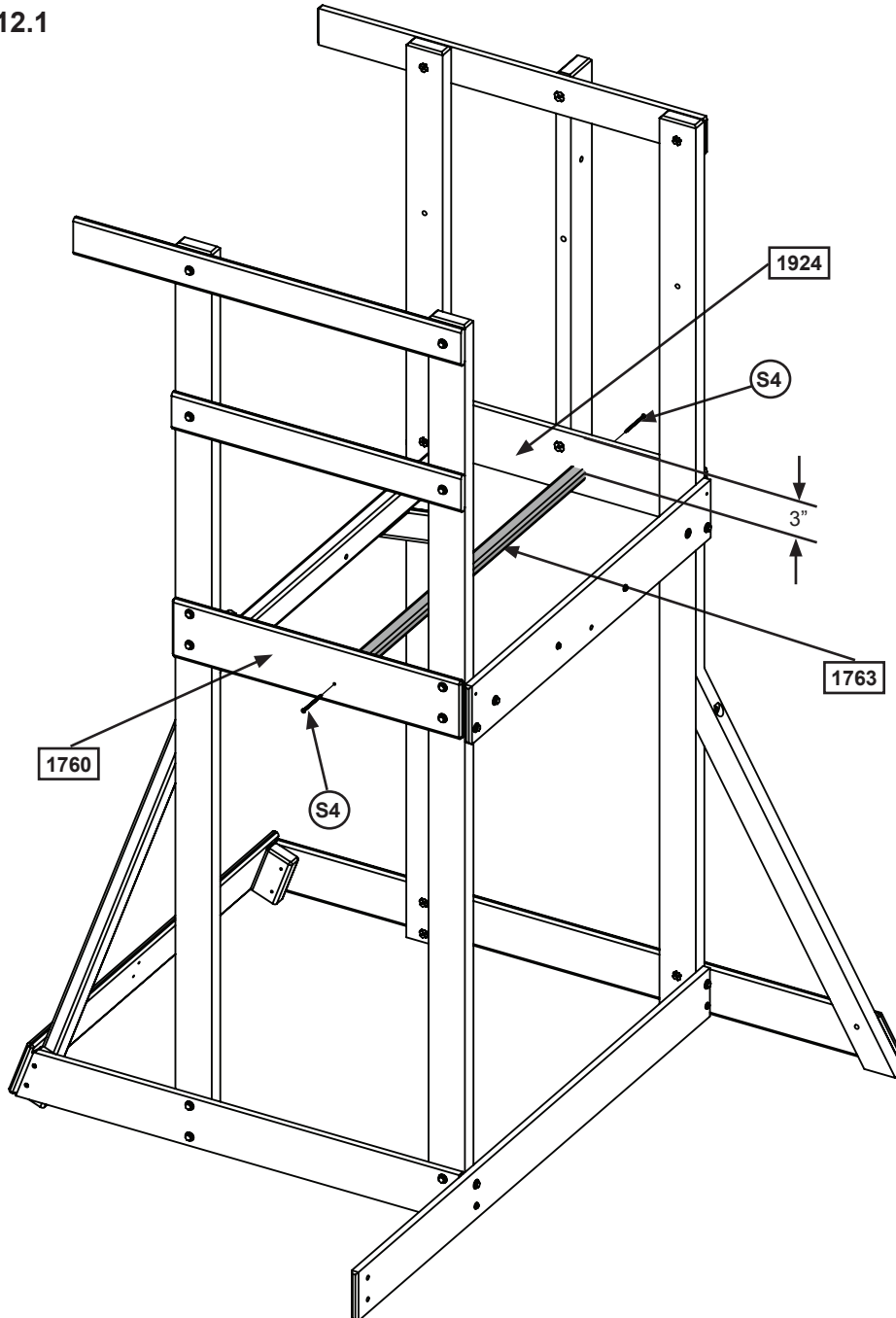
3 x **S4** #8 x 3" Wood Screw

Step 12: Attach Floor Joist to Fort



A: From inside of the assembly, measure 3" down from the top of (1760) Floor and (1924) SW Floor then attach (1763) Floor Joist to each board with 1 (S4) #8 x 3" Wood Screw per end. (fig. 12.1)

Fig. 12.1



Wood Parts

1x **1763** Floor Joist 5/4 x 2 x 38-1/2"

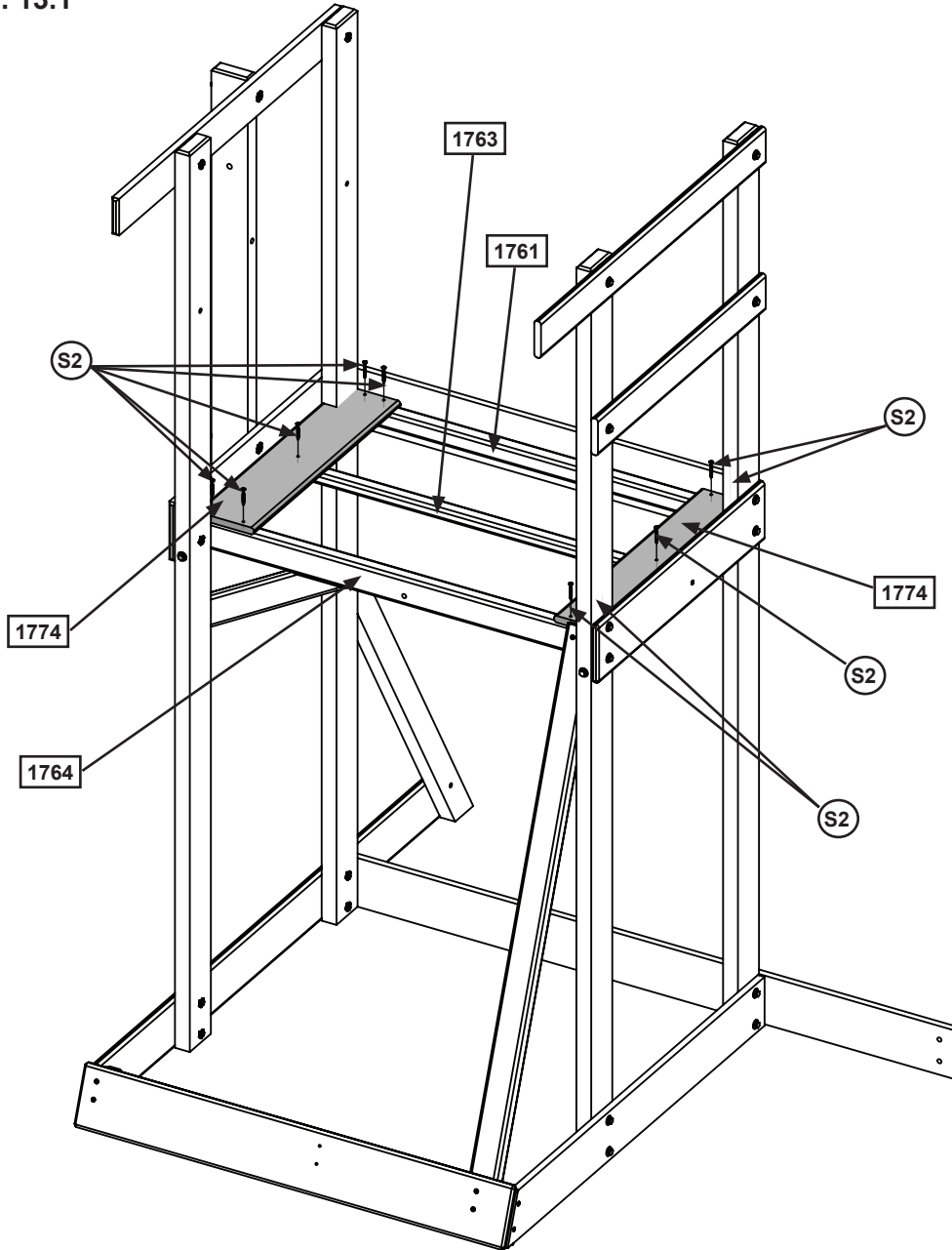
Hardware

2 x **S4** #8 x 3" Wood Screw

Step 13: Attach Gap Board and Floor Boards to Fort Part 1

A: Install 1 (1774) CE Gap Board to each end of the assembly attaching to (1761) Side Joist, (1763) Floor Joist and (1764) Floor Front using 5 (S2) #8 x 1-1/2" Wood Screws per board. (fig. 13.1)

Fig. 13.1



Wood Parts

2 x 1774 CE Gap Board 1 x 6 x 23-1/2"

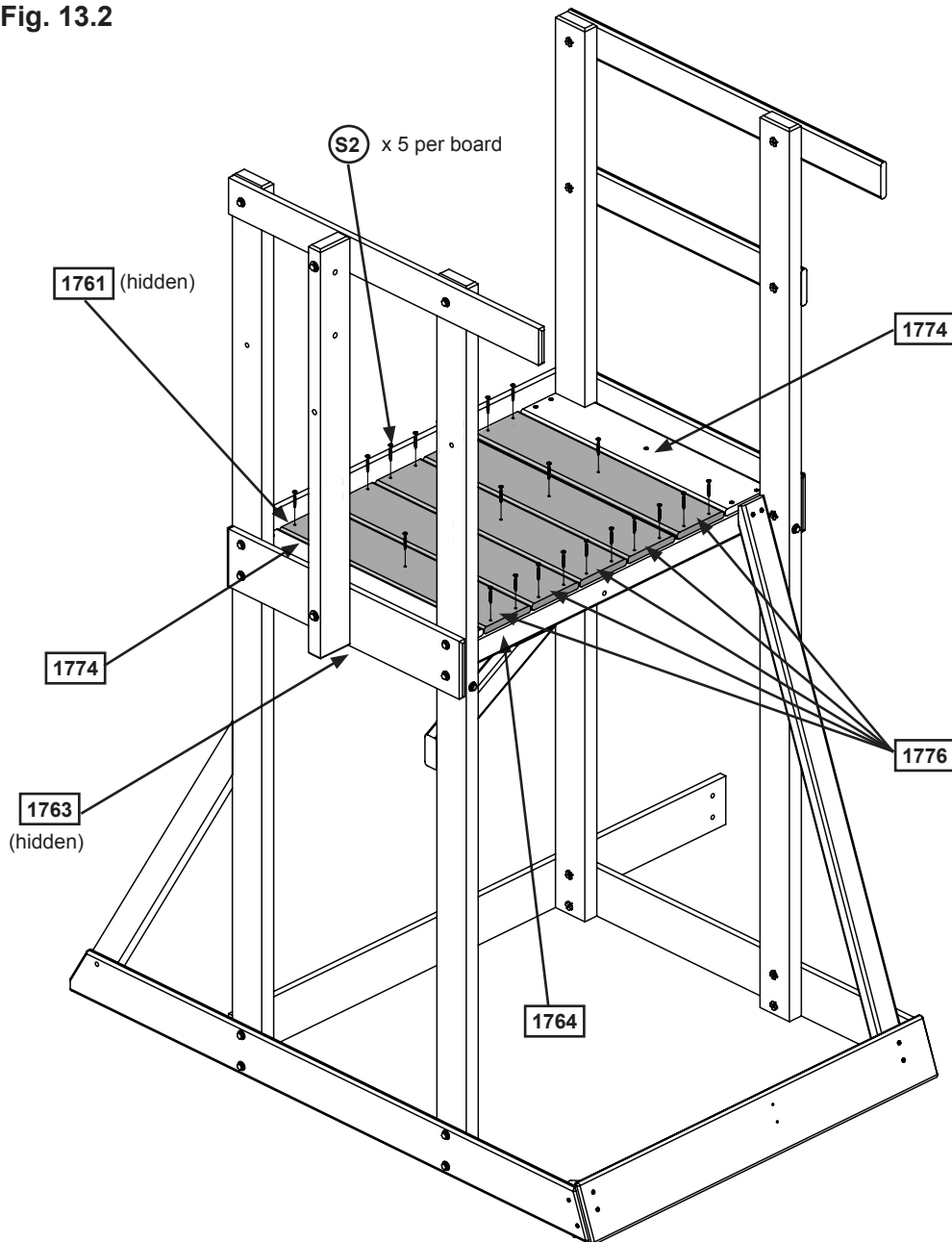
Hardware

10 x S2 #8 x 1-1/2" Wood Screw

Step 13: Attach Gap Board and Floor Boards to Fort Part 2

B: In between both (1774) CE Gap Boards place 5 (1776) Floor Boards making sure all boards are evenly spaced. Attach to (1761) Side Joist, (1763) Floor Joist and (1764) Floor Front using 5 (S2) #8 x 1-1/2" Wood Screws per board. (fig. 13.2)


Fig. 13.2



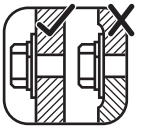
Wood Parts

5 x  Floor Board 1 x 6 x 23-1/2"

Hardware

25 x  #8 x 1-1/2" Wood Screw

Step 14: Front Wall Frame Assembly



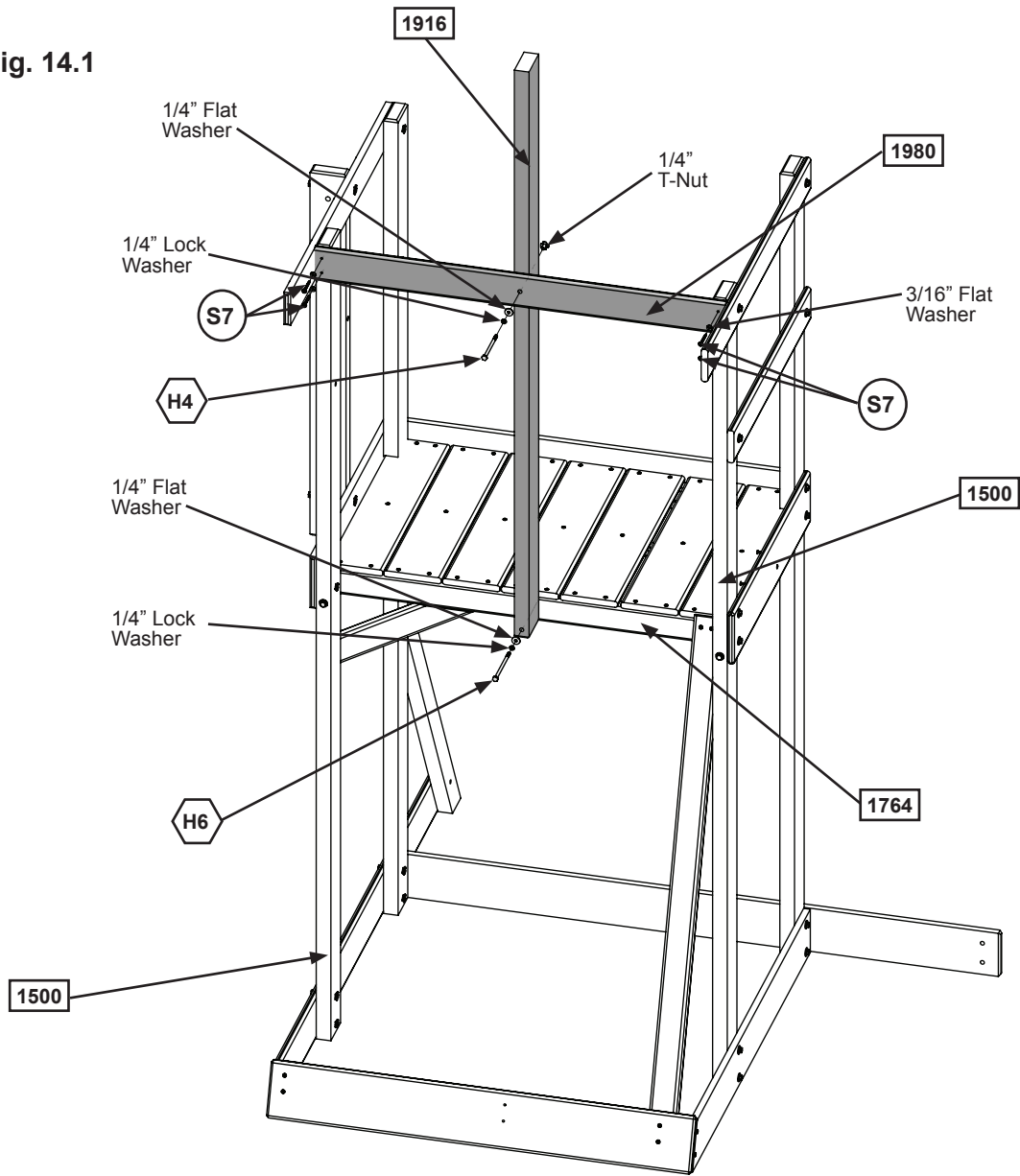
A: Attach (1916) Front Divider to (1764) Floor Front with 1 (H6) 1/4 x 4-3/4" Hex Bolt (with lock washer, flat washer and t-nut). **Keep bolt loose.** (fig 14.1)

B: Attach (1980) Top Front Back to (1916) Front Divider with 1 (H4) 1/4 x 4" Hex Bolt (with lock washer, flat washer and t-nut). **Keep bolt loose.** (fig. 14.1)

C: Make sure (1980) Top Front Back is level then attach to both (1500) Posts with 4 (S7) #12 x 2" Pan Screws (with 3/16" flat washer). (fig. 14.1)

D: Tighten all bolts from this step.

Fig. 14.1



Wood Parts

- 1 x 1916 Front Divider 2 x 4 x 59-1/4"
- 1 x 1980 Top Front Back 1 x 4 x 38-1/2"

Hardware

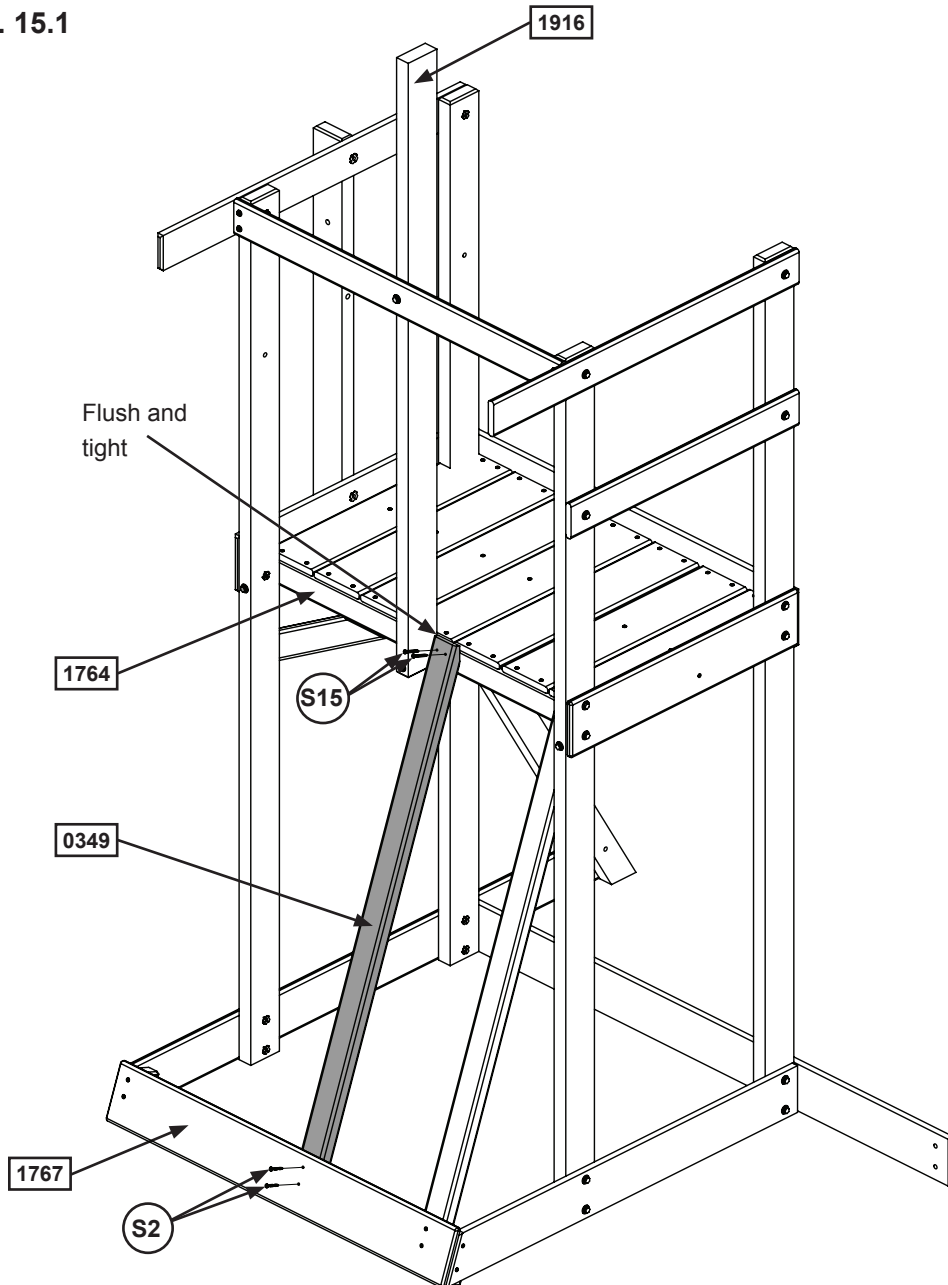
- 1 x H6 1/4 x 4-3/4" Hex Bolts (1/4" lock washer, 1/4" flat washer and 1/4" t-nut)
- 1 x H4 1/4 x 4" Hex Bolts (1/4" lock washer, 1/4" flat washer and 1/4" t-nut)
- 4 x S7 #12 x 2" Pan Screws (3/16" flat washer)

Step 15: Attach Rock Rail to Fort

A: Place (0349) Rock Rail flush to top of the floor boards and tight to (1916) Front Divider. (fig. 15.1). Attach (0349) Rock Rail to (1764) Floor Front using 2 (S15) #8 x 1-3/4" Wood Screws as shown in fig. 15.1.

B: Attach (1767) Lower Front to (0349) Rock Rail with 2 (S2) #8 x 1-1/2" Wood Screws. (fig. 15.1)

Fig. 15.1



Wood Parts

1 x (0349) Rock Rail

Hardware

2 x (S15) #8 x 1-3/4" Wood Screw

2 x (S2) #8 x 1-1/2" Wood Screw

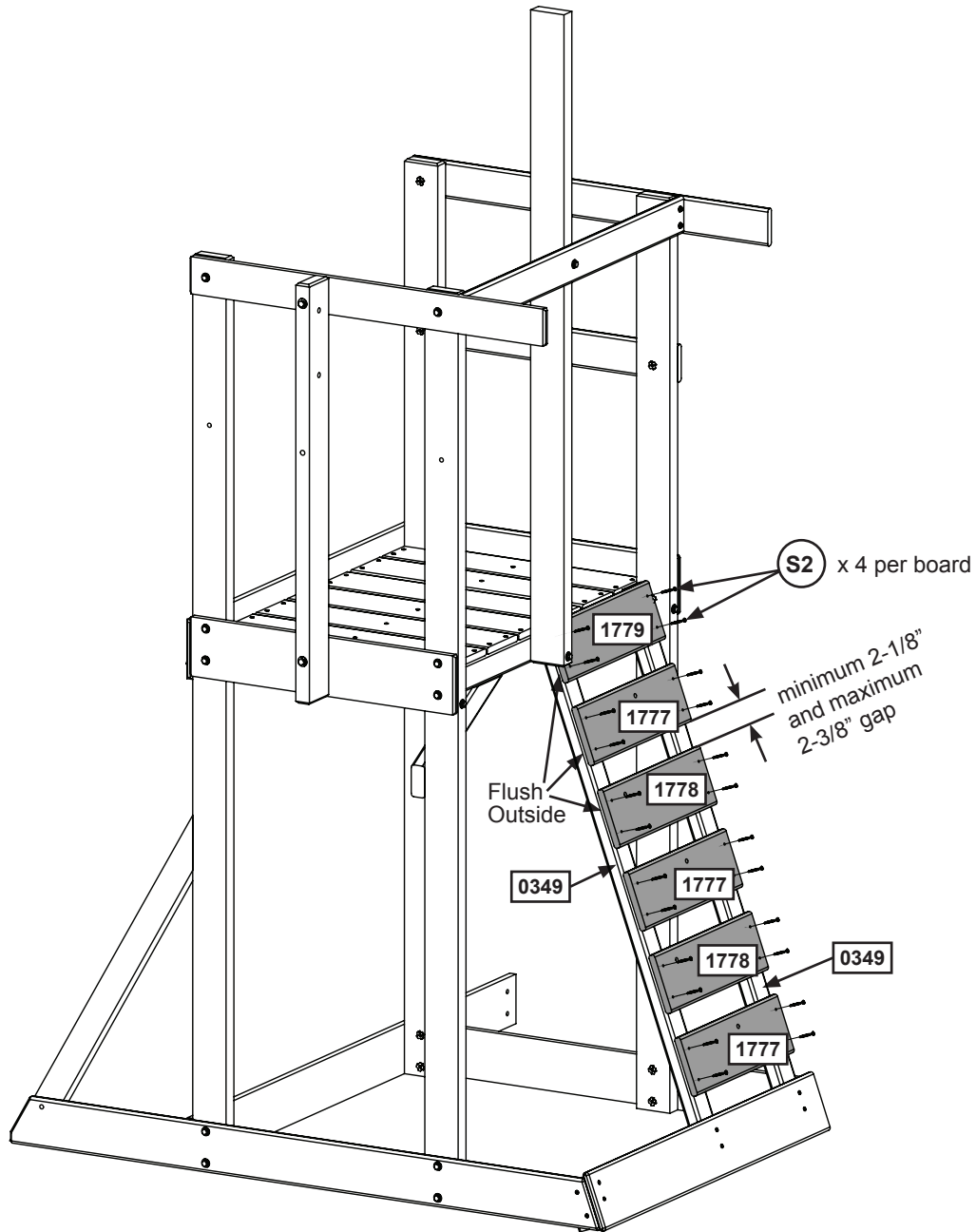
Step 16: Rock Wall Assembly

A: Attach (1779) CE Access Board flush to the top and outside edges of each (0349) Rock Rail with 4 (S2) #8 x 1-1/2" Wood Screws. (fig. 16.1 and 16.2)

B: Below (1779) CE Access Board stagger 3 (1777) CE Rock Board B and 2 (1778) CE Rock Board A, making sure they are evenly spaced with a minimum 2-1/8" and maximum 2-3/8" gap. The sides should be to the outside edges of each (0349) Rock Rail. Attach using 4 (S2) #8 x 1-1/2" Wood Screws per board. (fig. 16.1 and 16.2)

Place the CE Rock Boards as you desire, but watch the hole placement to prevent rocks from forming a straight line.

Fig. 16.1



Wood Parts

- 1 x 1779 CE Access Board
- 2 x 1778 Rock Board A
- 3 x 1777 Rock Board B

Hardware

- 24 x (S2) #8 x 1-1/2" Wood Screw

Step 17: Attach Rocks to Rock Board

A: Place 1 Rock on each (1777) and (1778) CE Rock Board A & B (fig. 17.1 and 17.2) and attach using 1 (PB2) 1/4 x 1-1/4" Pan Bolt (with lock washer, flat washer and barrel nut) and 1 (S10) #8 x 1" Pan Screw per rock. The rocks can be attached in any order. (fig. 17.1)

The screw must be in the hole directly under the Pan Bolt, it will stop the rock from spinning. (fig. 17.2)

Note: Make sure all hardware is used to secure each rock properly.

Fig. 17.1

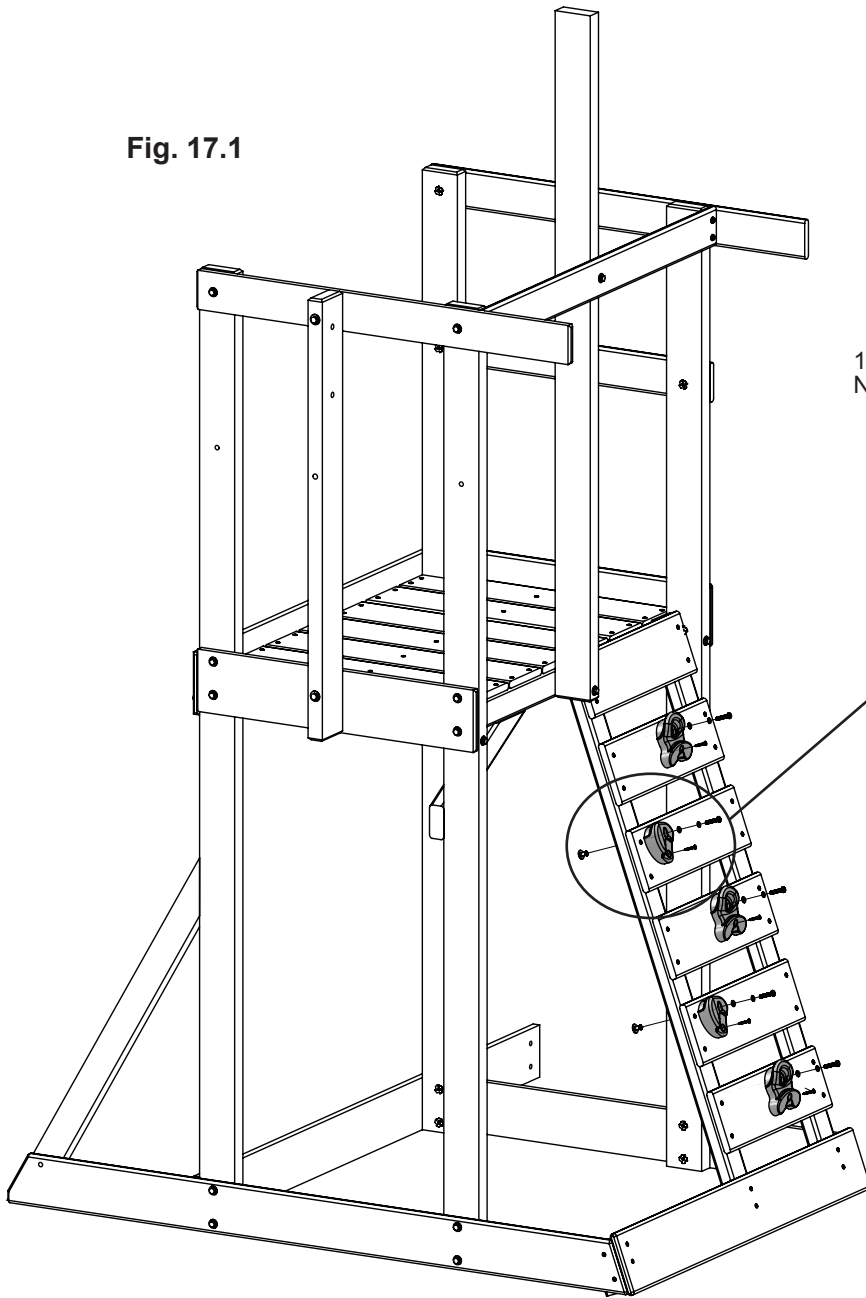
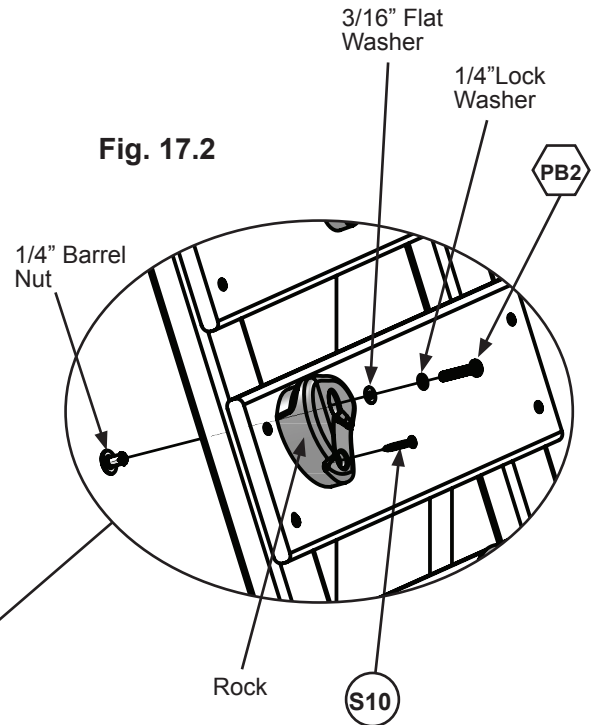



Fig. 17.2



Hardware

5 x  1/4 x 1-1/4" Pan Bolt
(with 1/4" lock washer, 3/16" flat washer, barrel nut)

5 x  8 x 1" Pan Screw

Other Parts

5 x Rocks

Step 18: Attach Ground Stakes

MOVE FORT TO FINAL LOCATION. FINAL LOCATION MUST BE LEVEL GROUND



Warning! To prevent tipping and avoid potential injury, stakes must be driven 10-1/2" into ground. Digging or driving stakes can be dangerous if you do not check first for underground wiring, cables or gas lines.

A: Drive 3 (0318) Ground Stakes 10-1/2" into the ground against (1928) Lower Side at (1500) Post and (0369) Lower Diagonal and against (1914) Cafe Ground at (1500) Post as shown in fig. 18.1. Attach using 2 (S3) #8 x 2-1/2" Wood Screws per ground stake. (fig. 18.1 and 18.2)

Fig. 18.1

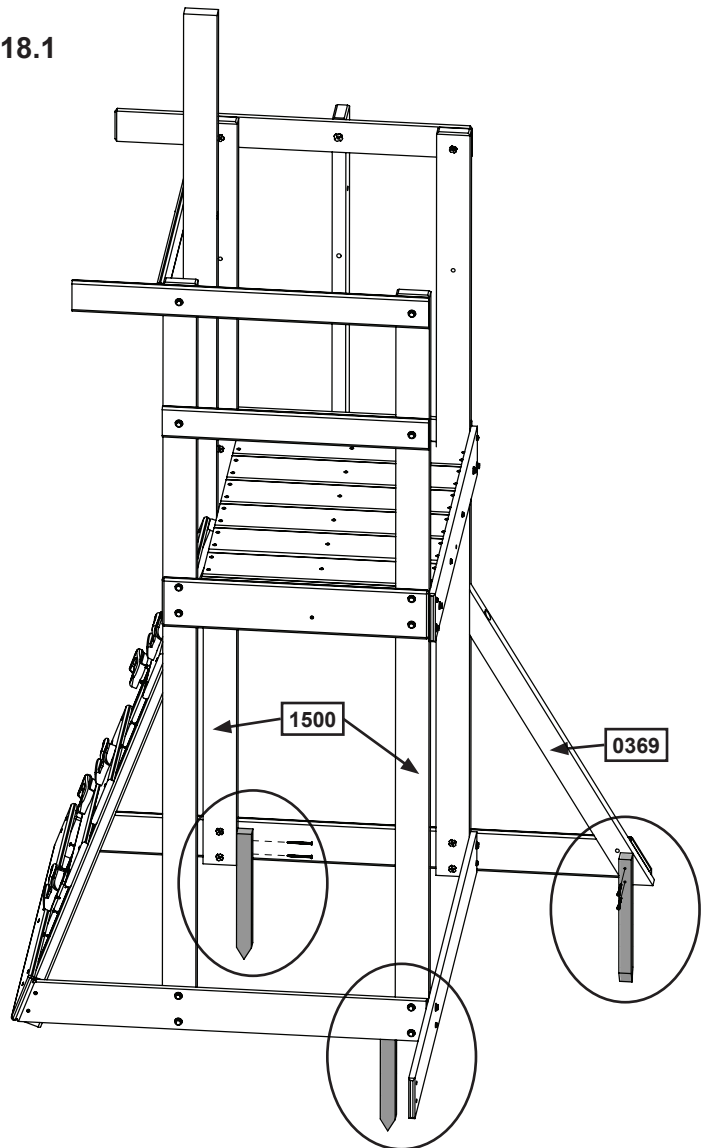
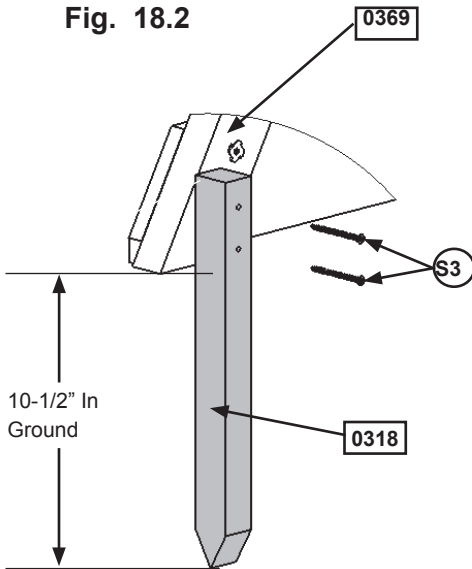


Fig. 18.2



Wood Parts

3 x 0318 Ground Stakes 1-1/4 x 1-1/2 x 14"

Hardware

6 x S3 #8 x 2-1/2" Wood Screw

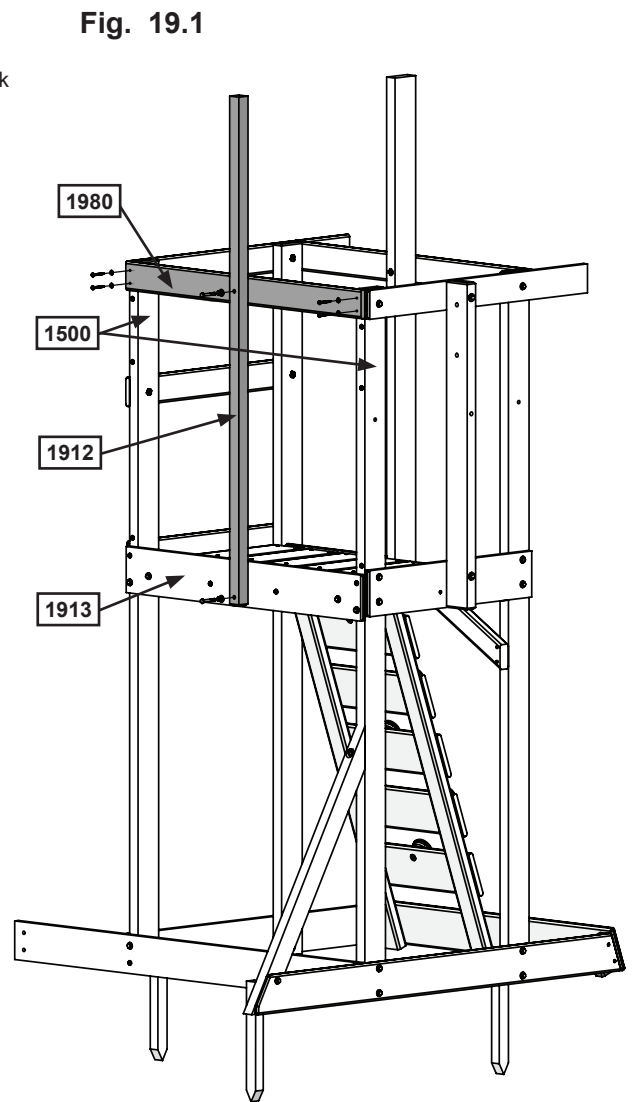
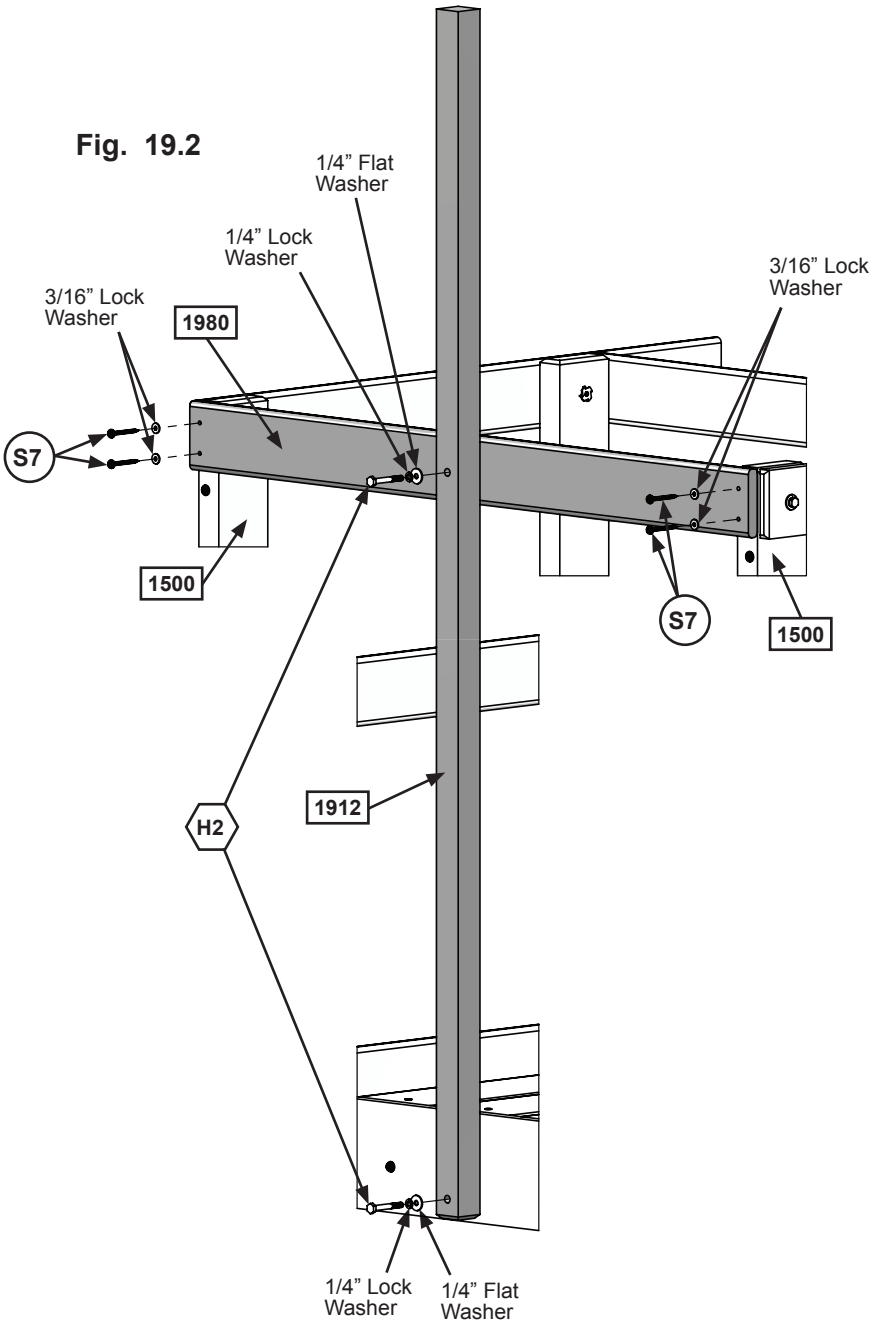


Step 19: Back Wall Frame Assembly

A: Attach (1912) Back Divider to (1913) Back Floor with 1 (H2) 1/4 x 2" Hex Bolt (with lock washer, flat washer and t-nut). **Keep bolt loose.** (fig 19.1 and 19.2)

B: Attach (1980) Top Front Back to (1912) Back Divider with 1 (H2) 1/4 x 2" Hex Bolt (with lock washer, flat washer and t-nut). **Keep bolt loose.** (fig. 19.1 and 19.2)

C: Make sure (1980) Top Front Back is level then loosely attach to both (1500) Posts with 4 (S7) #12 x 2" Pan Screws (with 3/16" flat washer). **Keep the screws loose.** (fig. 19.1 and 19.2)



Wood Parts

- 1 x [1912] Back Divider 2 x 2 x 59-3/8"
- 1 x [1980] Top Front Back 1 x 4 x 38-1/2"

Hardware

- 2 x [H2] 1/4 x 2" Hex Bolt (1/4" lock washer, 1/4" flat washer, 1/4" t-nut)
- 4 x [S7] #12 x 2" Pan Screw (with 3/16" flat washer)

Step 20: Attach Chalk Wall Tarp to Fort Part 1



A: On the back of the assembly, from the inside, tuck Chalk Wall Tarp between (1980) Top Front Back and both (1500) Posts and between (1913) Back Floor and both (1500) Posts. (fig. 20.1)

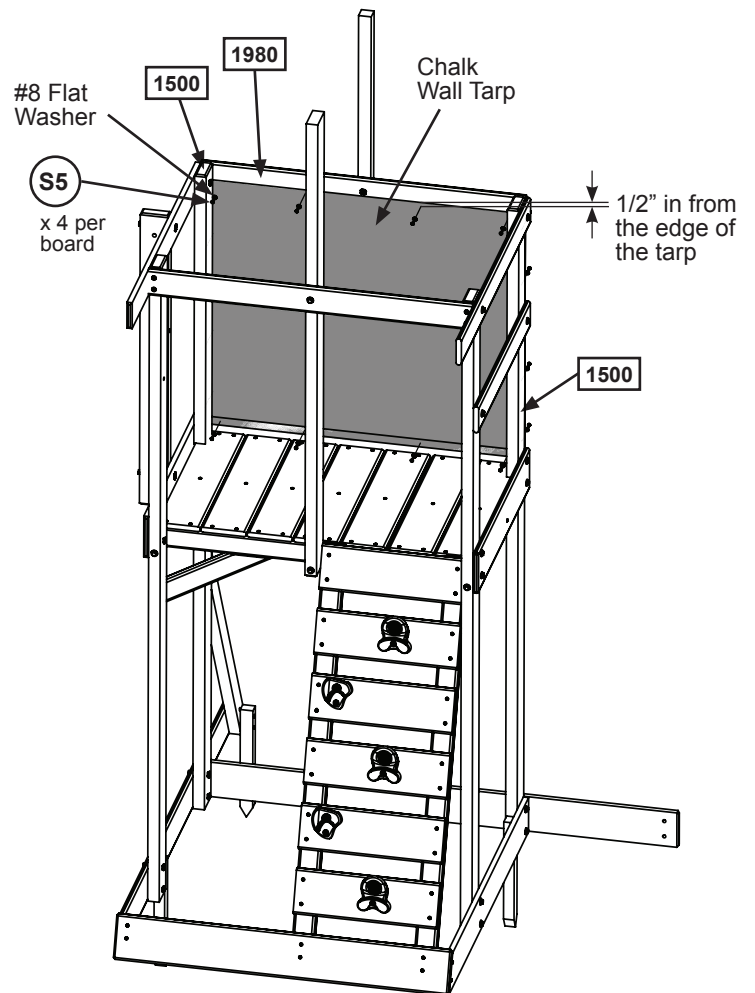
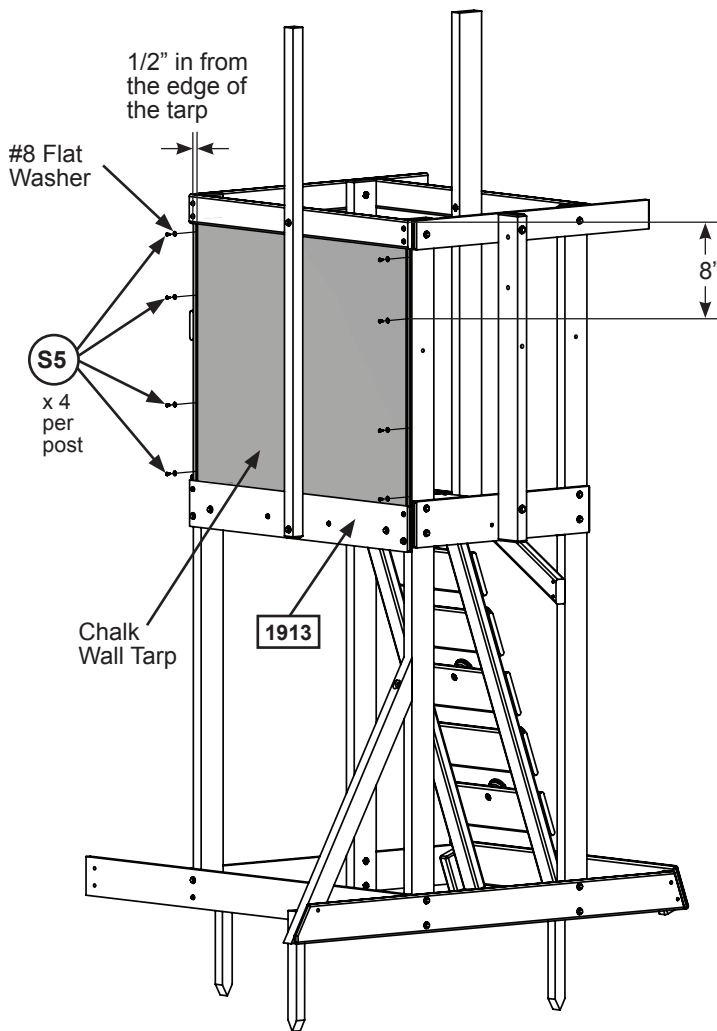
B: Make sure Chalk Wall Tarp is smooth and tight. Attach to the outside of each (1500) Post, 1/2" in from the edge of the tarp, with 4 (S5) #8 x 1/2" Pan Screws (with #8 flat washer) per post making sure that the second screw from the top is 8" down as shown in fig. 20.2.

C: Attach Chalk Wall Tarp to (1980) Top Front Back and (1913) Back Floor, from the inside of the assembly and 1/2" in from the edge of the tarp, using 4 (S5) #8 x 1/2" Pan Screws (with #8 flat washer) per board. (fig. 20.2)

D: Tighten the screws in (1980) Top Front Back and the bolts in (1912) Back Divider from Step 19.

Fig. 20.2

Fig. 20.1



Hardware

16 x (S5) #8 x 1/2" Pan Screw
(#8 flat washer)

Other Parts

1 x Chalk Wall Trap

Step 20: Attach Chalk Wall Tarp to Fort Part 2



E: Slide 1 (1990) Chalk Wall Brace in behind (1912) Back Divider so that it lines up with (1923) Side Top. Attach each end of (1990) Chalk Wall Brace to the (1500) Posts from the outside using 2 (S7) #12 x 2" Pan Screws (with 3/16" flat washer) per side. (fig. 20.3 and 20.4)

F: From inside the fort feel for the pre-drilled hole in the center of (1990) Chalk Wall Brace and install 1 (S7) #12 x 2" Pan Screw (with 3/16" flat washer). (fig. 20.5 and 20.6)

Fig. 20.3

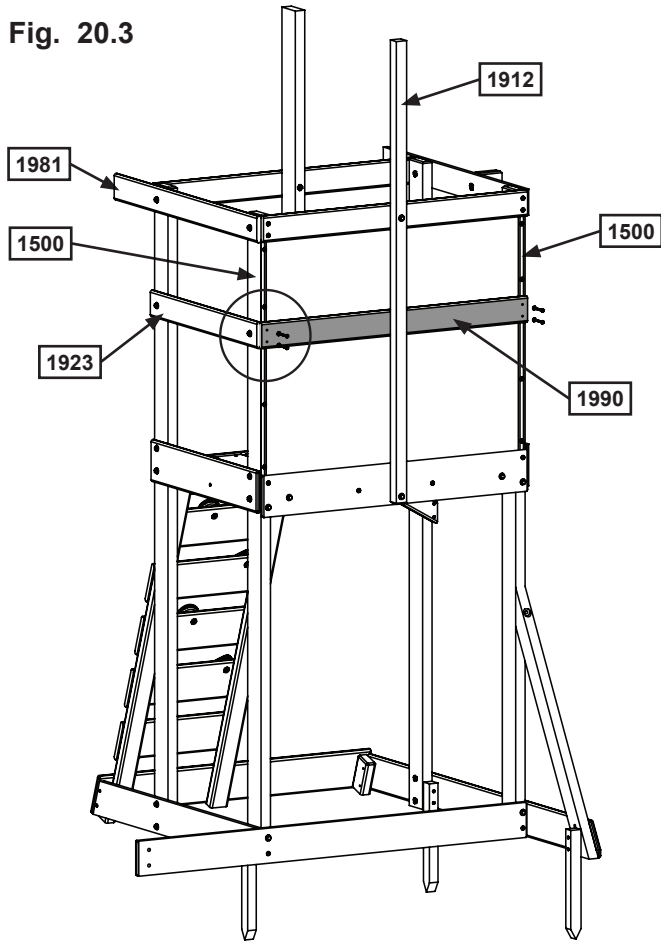


Fig. 20.5
Inside View

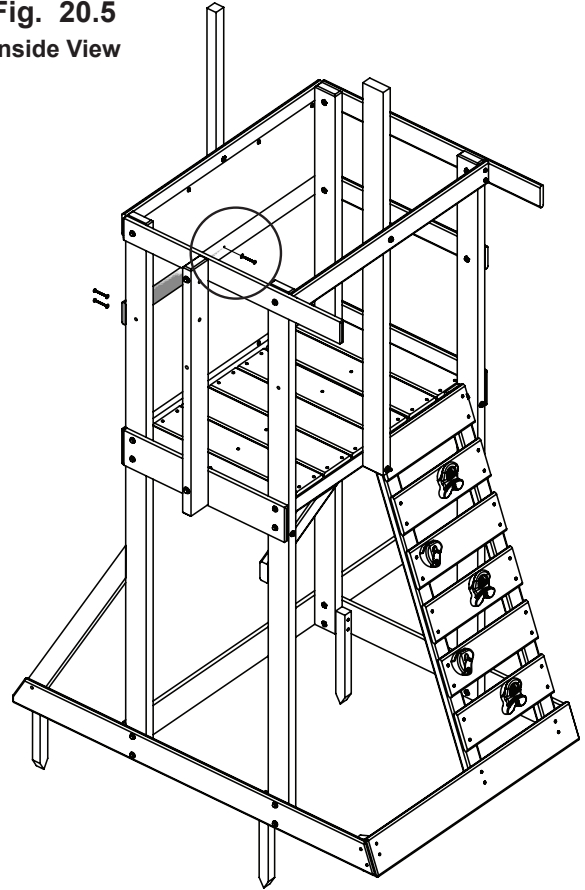


Fig. 20.4

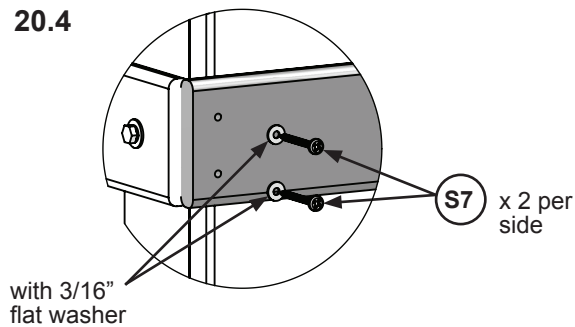
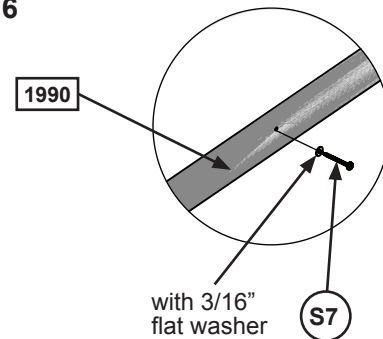


Fig. 20.6



Wood Parts

1 x (1990) Chalk Wall Brace 1 x 2 x 38-1/2"

Hardware

5 x (S7) #12 x 2" Pan Screw
(with 3/16" flat washer)

Step 21: Swing Side Wall Assembly



A: From inside the fort in between both (1500) Posts on Swing Wall side, measure $\frac{3}{4}$ " up from (1774) CE Gap Board and attach 2 (0304) CE Floor Boards to (1924) SW Floor and (1925) SW Top using 4 (S1) #8 x 1-1/8" Wood Screws per board. (fig. 21.1) The distance between (1500) Posts and (0304) CE Floor Boards should not to exceed 3". See fig. 21.2 for proper spacing.

Fig. 21.1

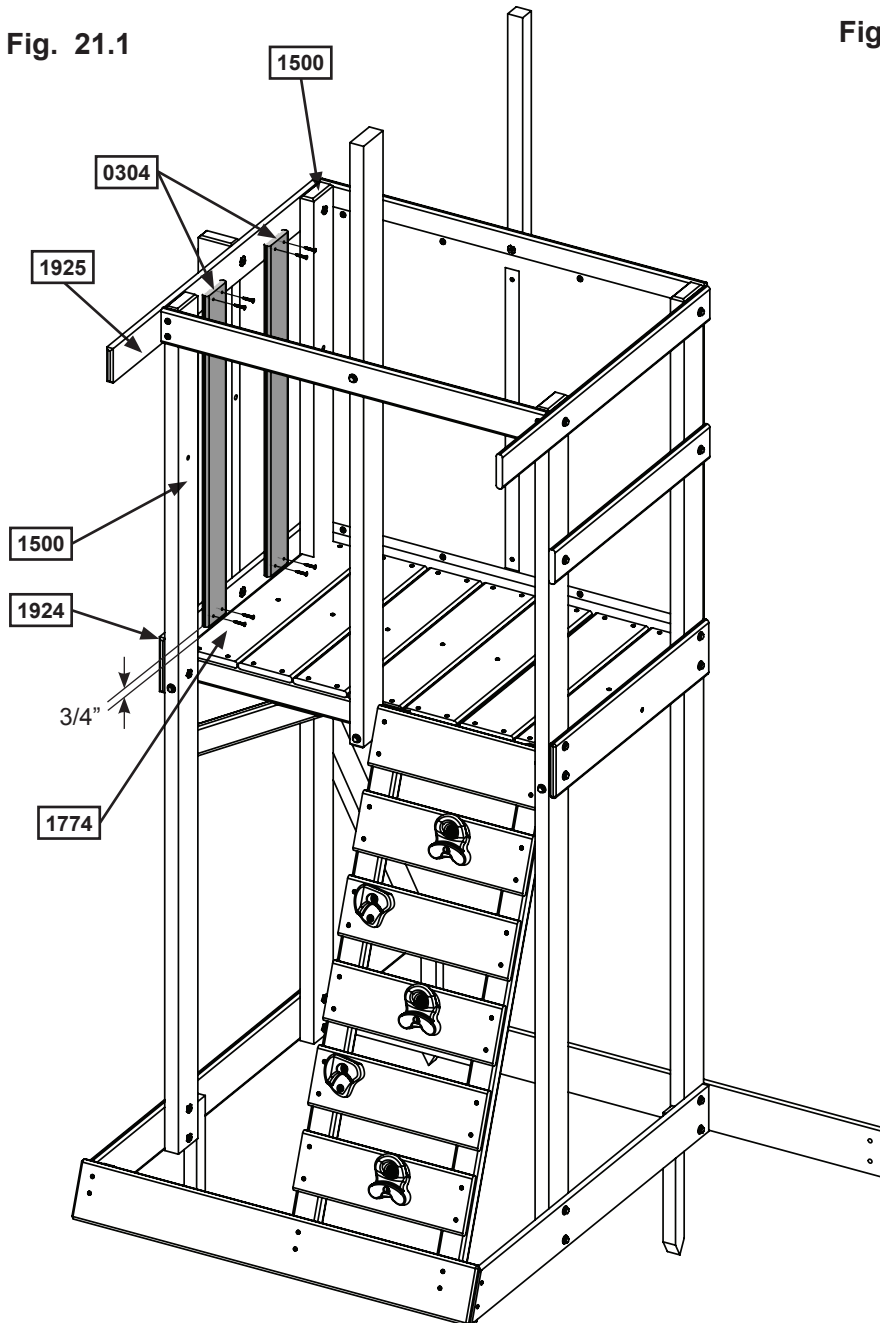
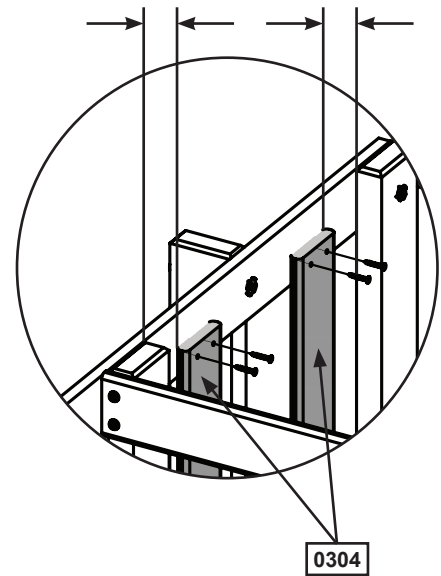


Fig. 21.2

Note: Gaps between boards should not to exceed 3"



Wood Parts

2 x **0304** CE Floor Board 1 x 4 x 32-1/2"

Hardware

8 x **(S1)** #8 x 1-1/8" Wood Screw

Step 22: Café Wall Assembly



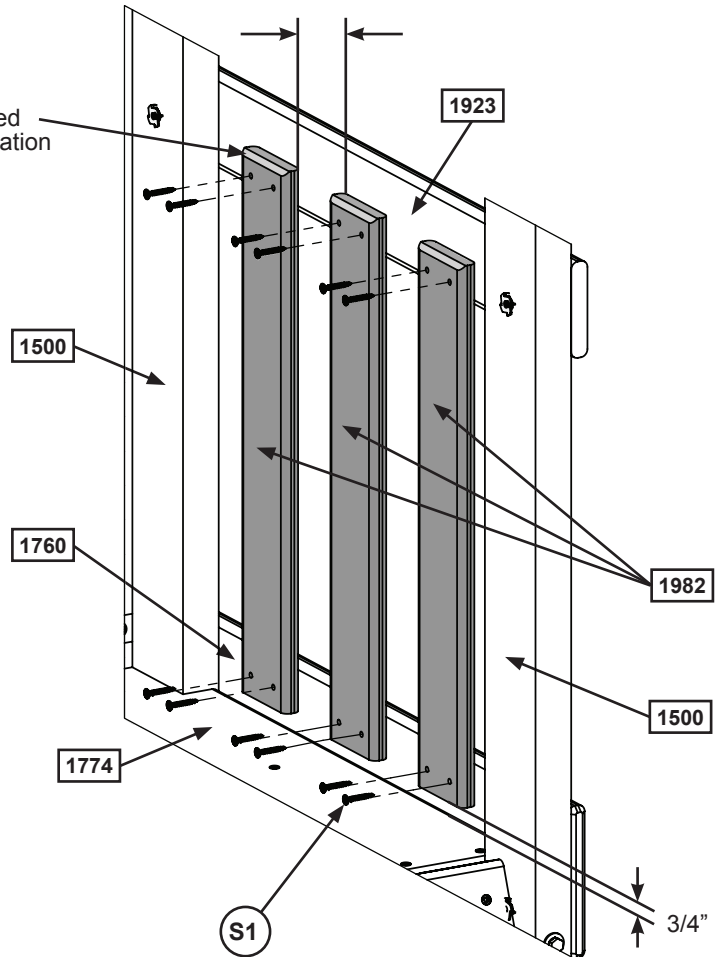
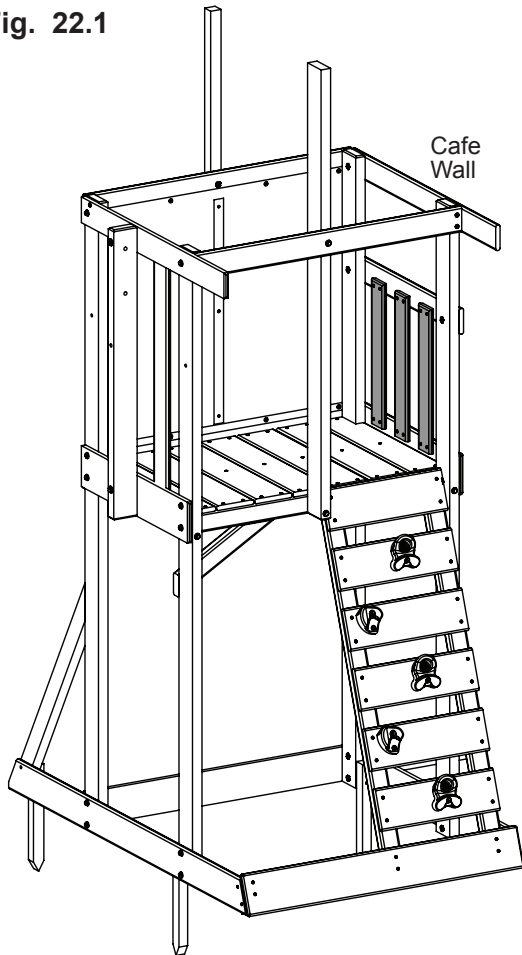
A: From inside the fort, in between both (1500) Posts on Cafe Wall side, measure 3/4" up from (1774) CE Gap Board and attach 3 (1982) Boards to (1760) Floor and (1923) Side Top making sure that the beveled edges are at the top at shown in fig. 22.2. Attach using 4 (S1) #8 Wood Screws per board. The boards should be evenly spaced, not exceeding 2-3/4". (fig. 22.1 and 22.2)

Fig. 22.2

Note: Gaps between boards evenly spaced, not to exceed 2-3/4"

Note beveled edge orientation

Fig. 22.1



Wood Parts

3 x 1982 Wall Board 5/8 x 3 x 19"

Hardware

12 x S1 #8 x 1-1/8" Wood Screw

Step 23: Café Frame Assembly Part 1

A: Connect both sections of the café frame together using 2 (MB1) #12 x 1/2" Machine Bolts (with #12 lock nut). (fig. 23.1 and 23.2)

Fig. 23.1

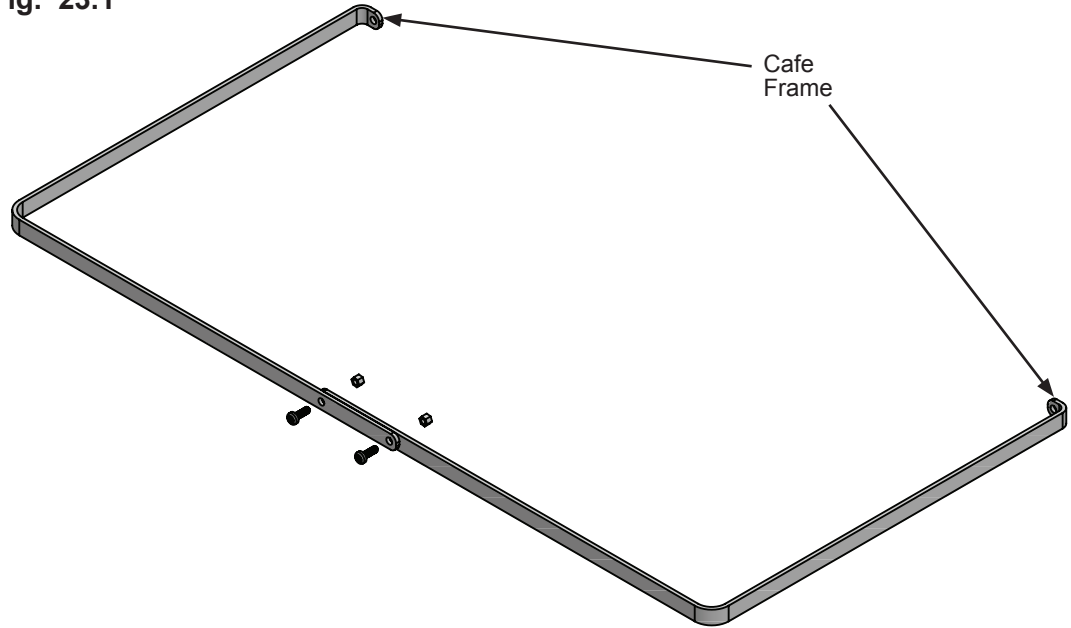
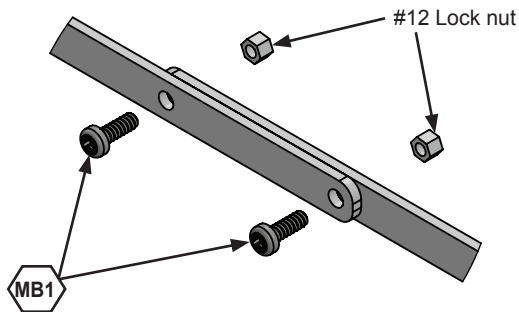



Fig. 23.2



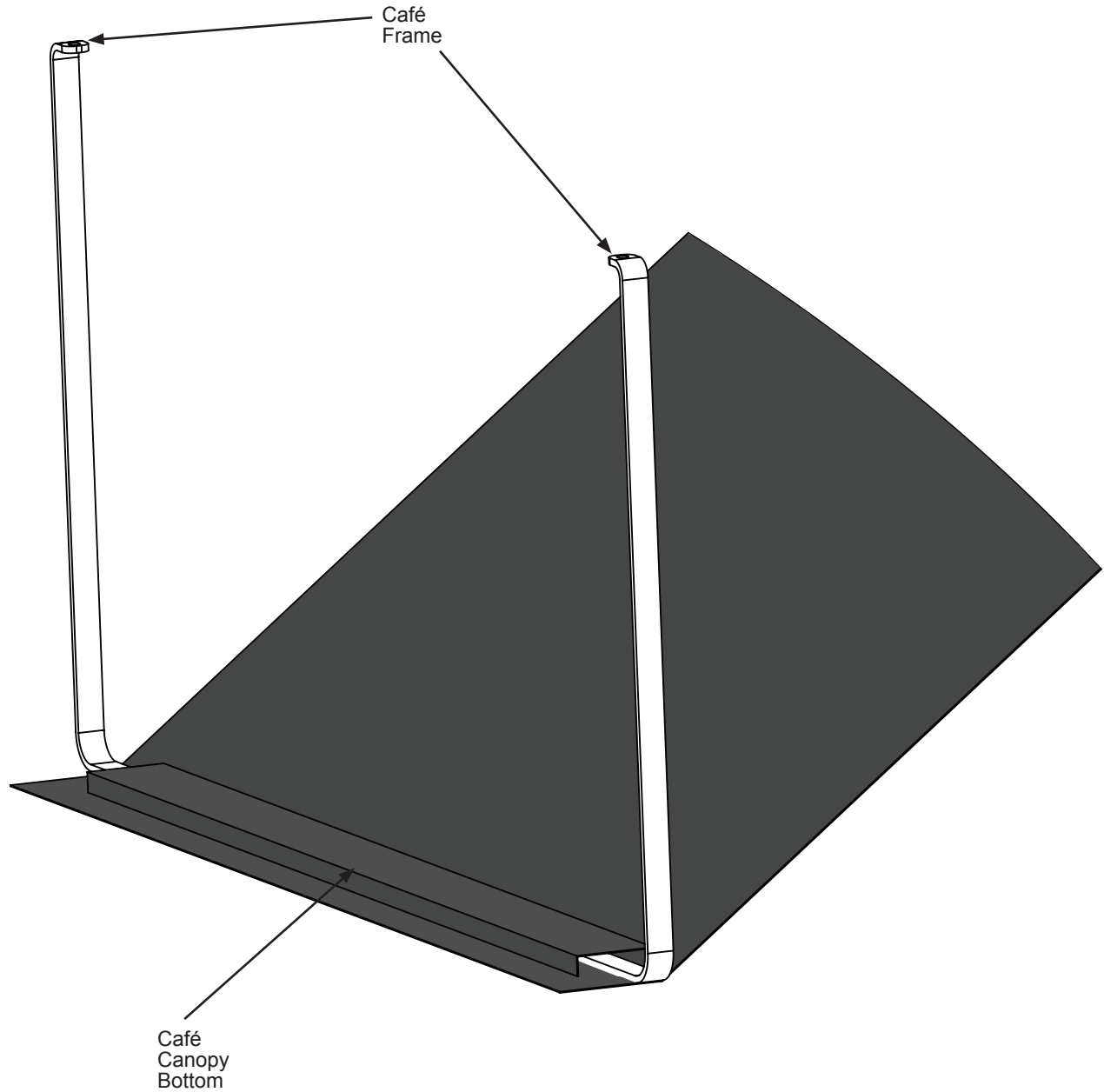
Hardware
2 x  #12 x 1/2" Machine Bolt
(with #12 lock nut)

Other Parts
2 x Café Frame

Step 23: Café Frame Assembly Part 2

B: Feed Café Frame through the pocket in the bottom of the Café Canopy as shown in fig. 23.3.

Fig. 23.3



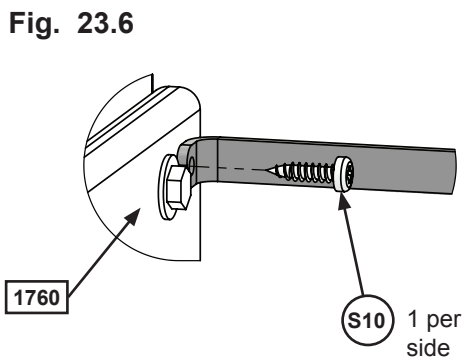
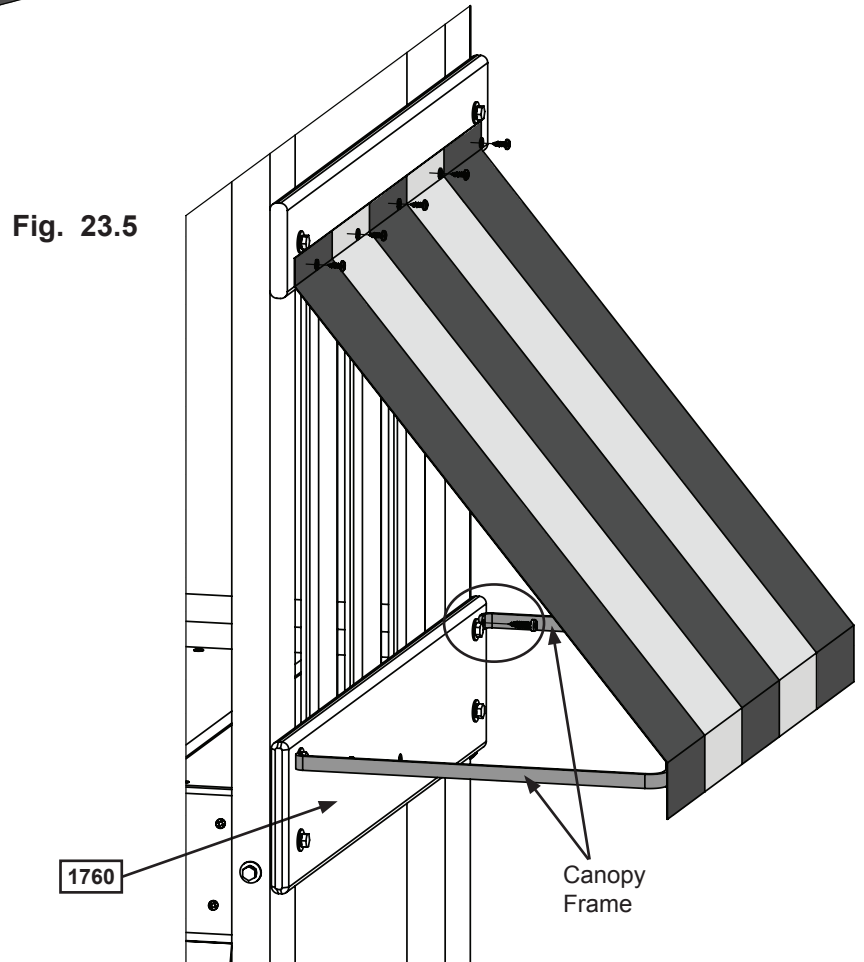
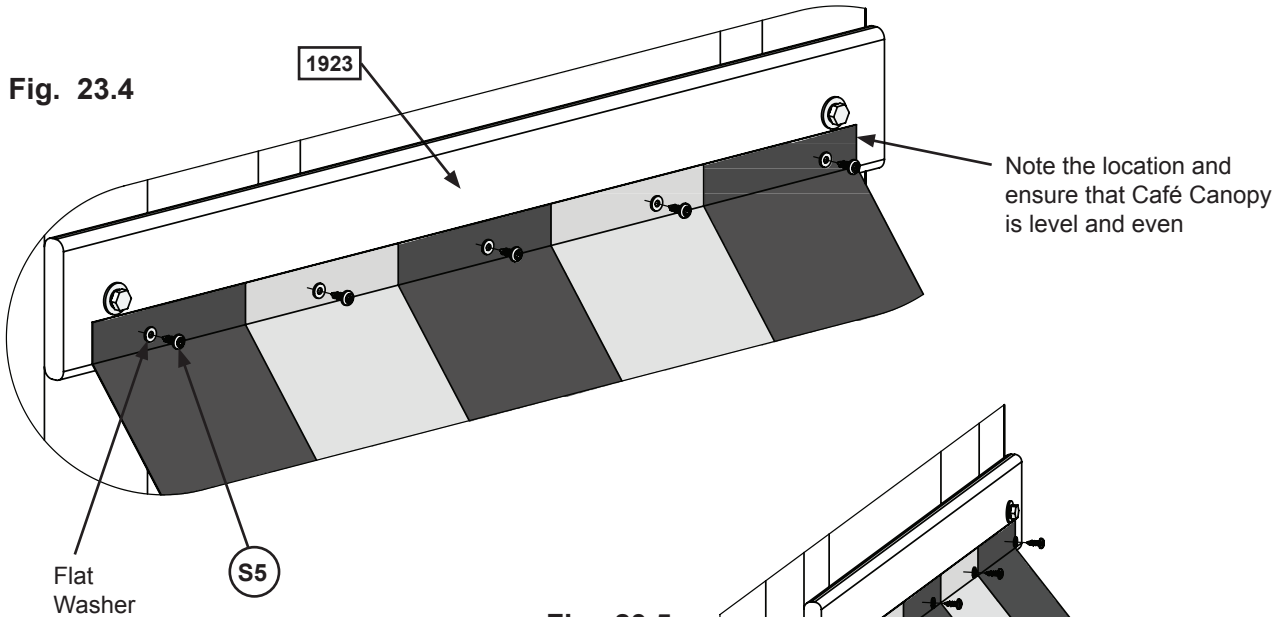
Other Parts
1 x Café Canopy

Step 23: Café Frame Assembly Part 3



C: With a helper hold the canopy against the fort, centred on the (1923) Side Top, just below the previously installed bolts. Make sure the Café Canopy is smooth and tight, then attach to (1923) with 5 (S5) #8 x 1/2" Pan screws with washers. It is important to ensure that Café Canopy is level and even. (fig. 23.4)

D: Hold the Canopy Frame against the (1760) Floor and attach with 1 (S10) #8 x 1" Pan screw per side on the outside of the top bolts. (fig. 23.5 and 23.6)



Hardware

5 x (S5) Pan Screw (with #8 flat washer)

2 x (S10) #8 x 1" Pan Screw

Step 24: Attach Hand Grips



A: Measure 6" from the top of (1764) Floor Front in 2 places shown below, pre-drill with a 1/8" drill bit then attach 2 Hand Grips with 2 (LS1) 1/4 x 1-1/2" Lag Screws (with flat washer) per Hand Grip. (fig. 24.1 and 24.2)

Fig. 24.1

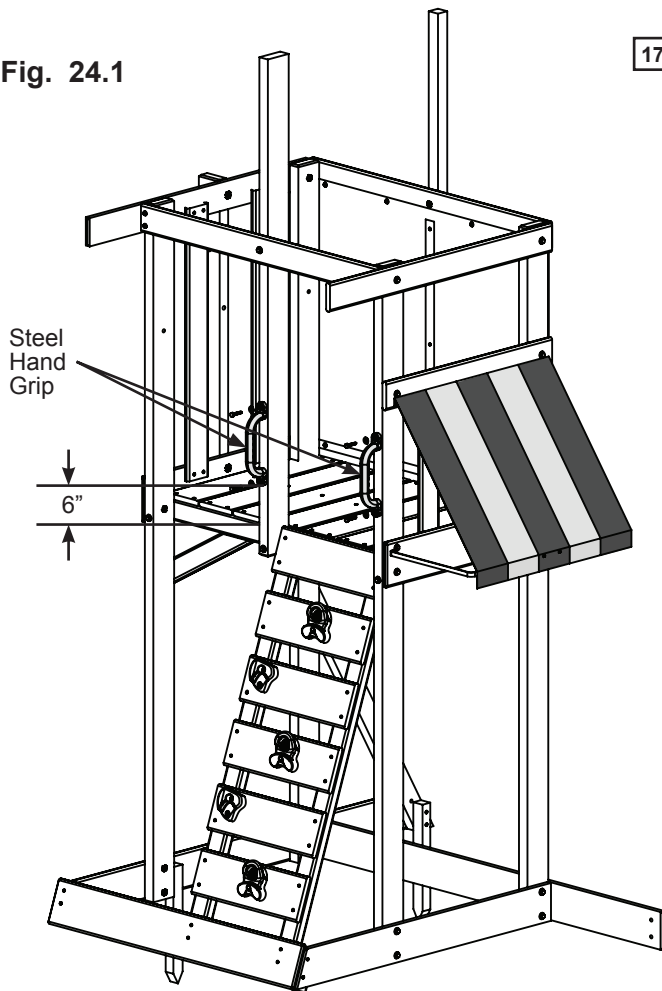
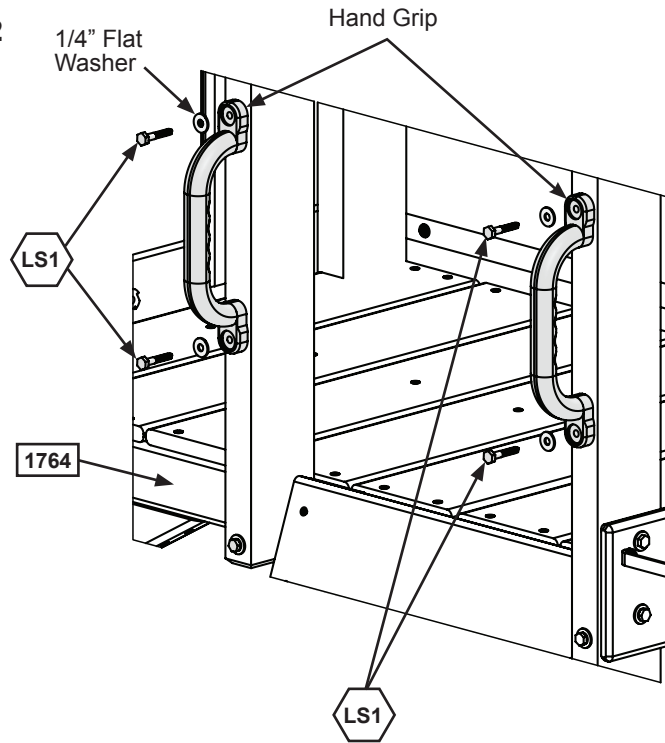



Fig. 24.2



Hardware
4 x  1/4" x 1-1/2" Lag Screw
(with flat washer)

Other Parts
2 x Hand Grip

Step 25: Roof Frame Assembly

A: Attach (1919) Roof Ridge flush to the end of (1912) Back Divider with 1 (S4) #8 x 3" Wood Screw and to (1916) Front Divider with 2 (S4) #8 x 3" Wood Screws as shown in fig. 25.1, 25.2 and 25.3

Fig. 25.1

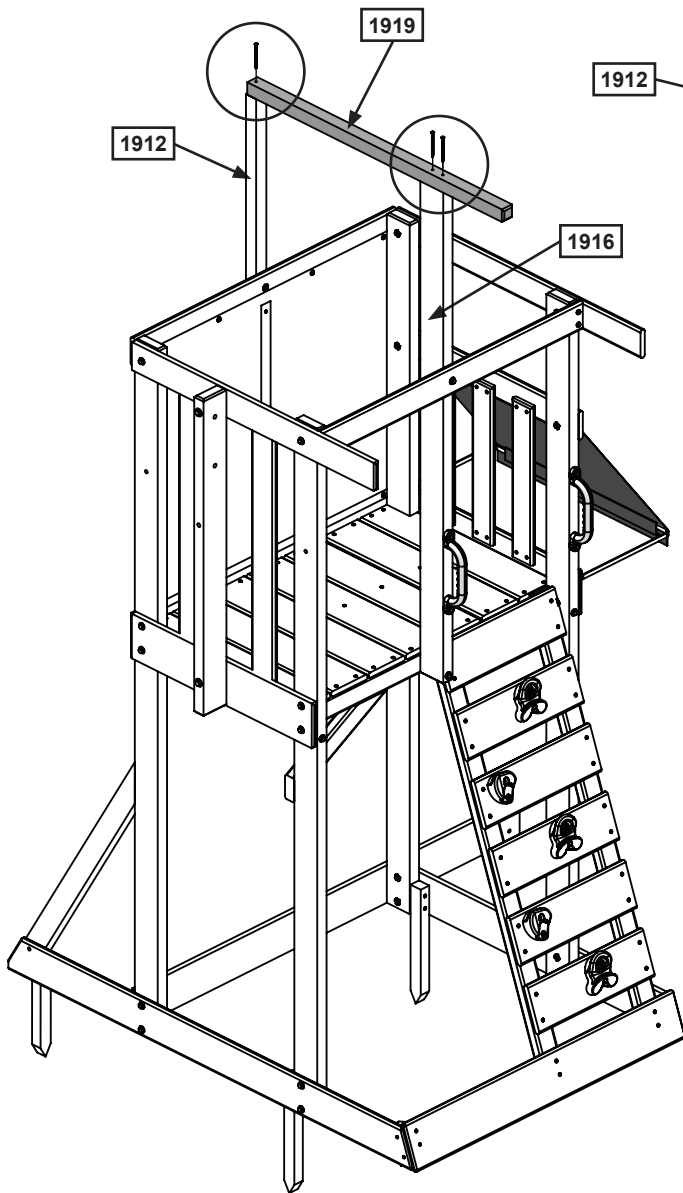


Fig. 25.2

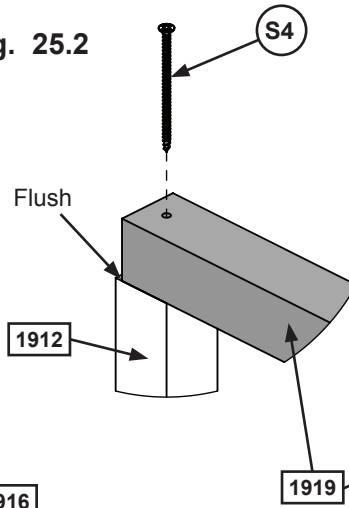
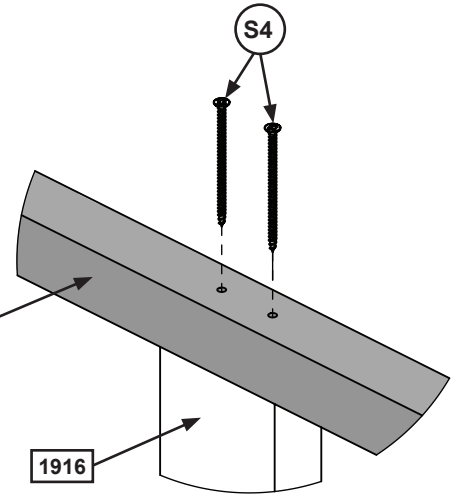


Fig. 25.3



Wood Parts

1 x 1919 Roof Ridge 2 x 2 x 37-7/8"

Hardware

3 x S4 #8 x 3" Wood Screw

Step 26: Attach Newport Main Canopy



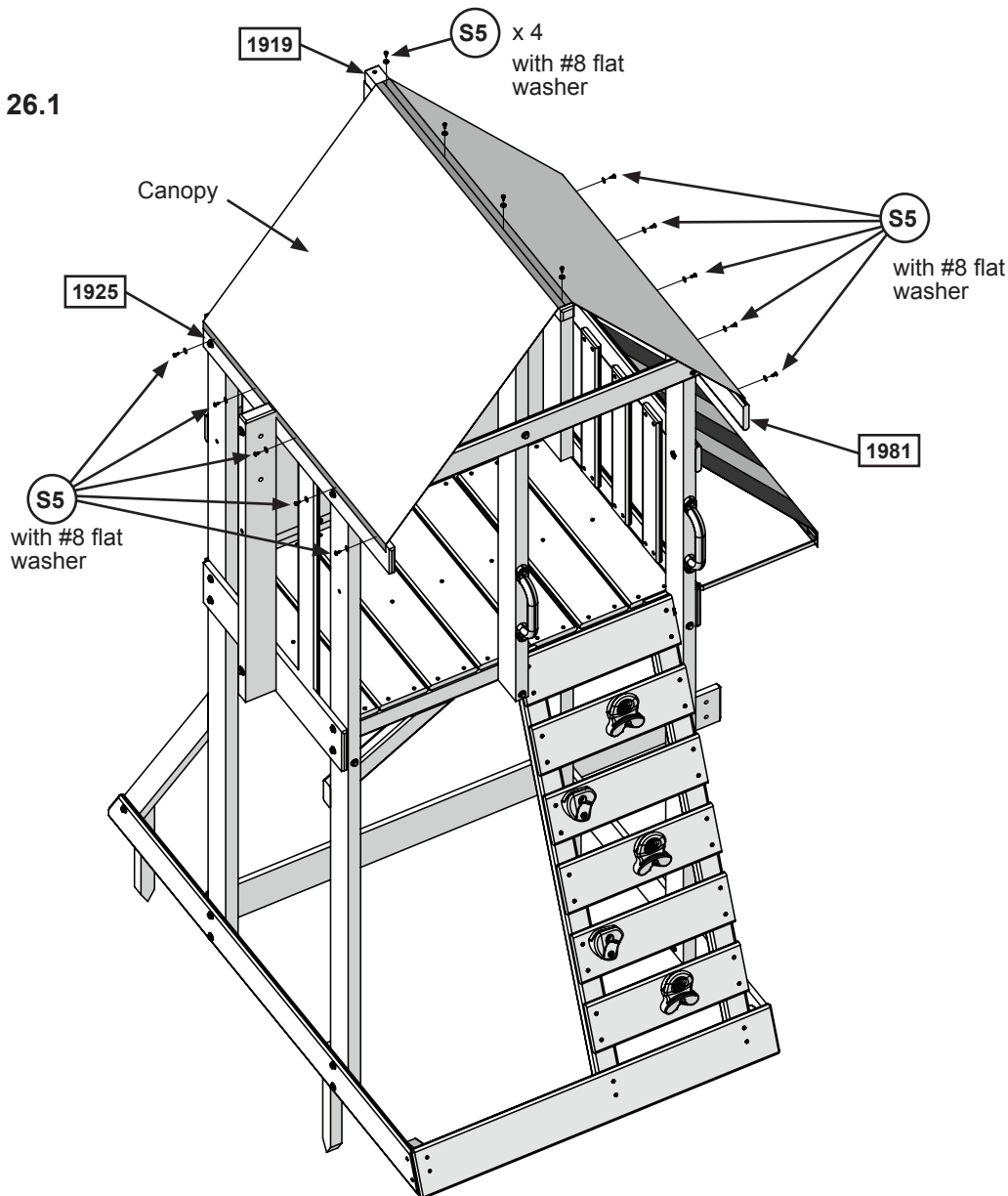
A: Place Newport Main Canopy over (1919) Roof Ridge making sure bottom edges of tarp are even on both sides of assembly. (fig. 26.1)

B: Secure one side by attaching canopy to (1925) SW Top using 5 evenly spaced (S5) #8 x 1/2" Pan Screws (with #8 flat washer). Make sure the screws are 1/2" in from the edge of the canopy. (fig 26.1)

C: Make sure the canopy is smooth and tight then secure opposite end of canopy to (1981) Top Side using 5 evenly spaced (S5) #8 x 1/2" Pan Screws (with #8 flat washer). Make sure the screws are 1/2" in from the edge of the canopy. (fig. 26.1)

D: Attach canopy to (1919) Roof Ridge with 4 evenly spaced (S5) #8 x 1/2" Pan Screws (with #8 flat washer). (fig. 26.1)

Fig. 26.1



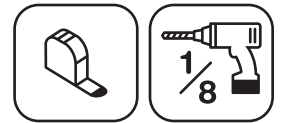
Hardware

14 x (S5) #8 x 1/2" Pan Screw
(with #8 flat washer)

Other Parts

1 x Canopy

Step 27: Café Table Assembly Part 1

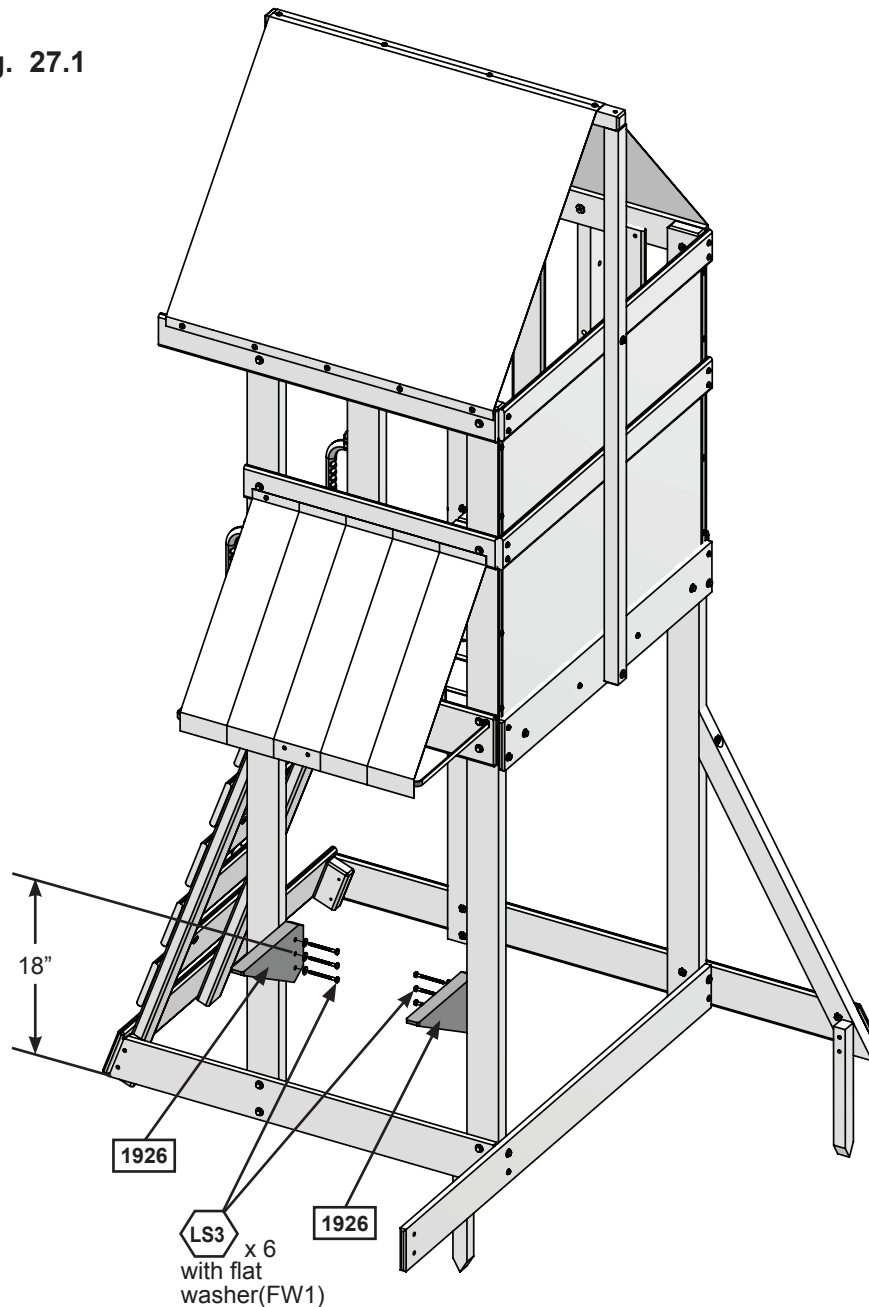


Note: Pre-drill all holes using a 1/8" drill bit before installing the lag screws.

A: Attach 1 (1926) Table Support to the inside of each (1500) Post on the Cafe Wall side through the middle hole using 1 (LS3) 1/4 x 3" Lag Screw (with flat washer(FW1)) per board. The distance from ground to the middle hole should measure 18". (fig. 27.1)

B: Make sure both (1926) Table Supports are level then attach to the posts in the remaining holes with 2 (LS3) 1/4 x 3" Lag Screws (with flat washers(FW1)) per support. (fig. 27.1)

Fig. 27.1



Wood Parts

2 x **1926** Table Support 2 x 6 x 12-5/16"

Hardware

6 x **LS3** 1/4" x 3" Lag Screw
(with flat washer(FW1))

Step 27: Café Table Assembly

Part 2

C: Attach 1 (1911) Table Top to the top of (1926) Table Supports, tight to (1500) Posts, using 4 (S2) #8 x 1-1/2" Wood Screws, as shown in fig. 27.2 and 27.3.

D: Tight to the first (1911) Table Top attach a second one with 2 (S2) #8 x 1-1/2" Wood Screws in the inside holes and 2 (S1) #8 x 1-1/8" Wood Screws in the outside holes as shown in fig. 27.3. The cut corners should be on the outside edges of the table.

Fig. 27.2

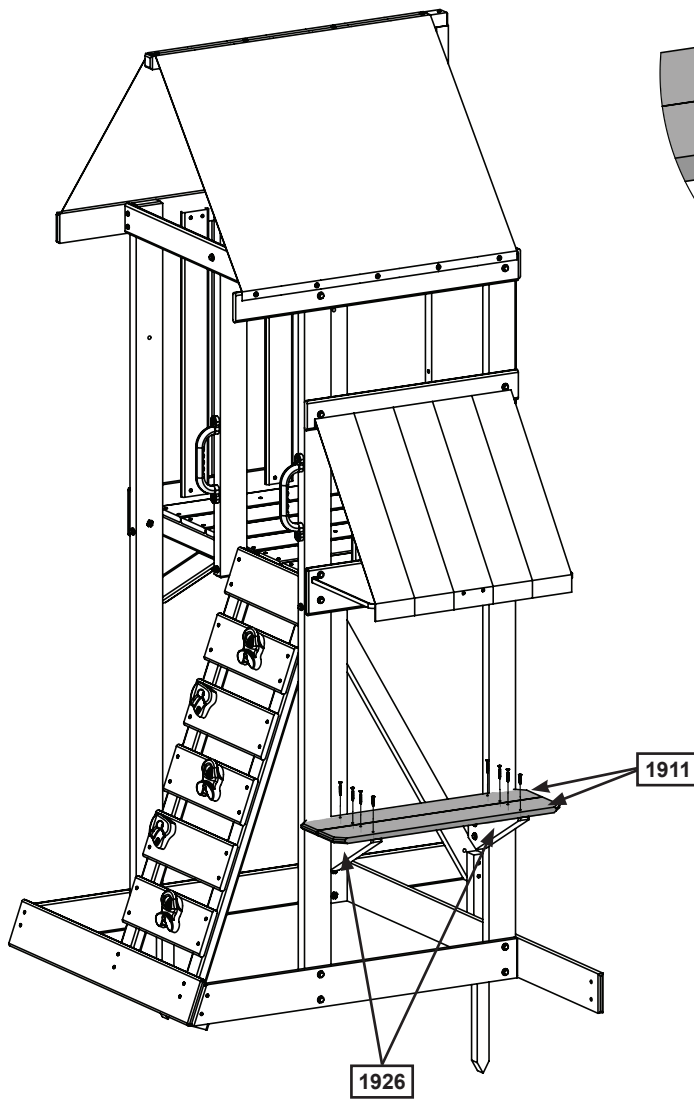
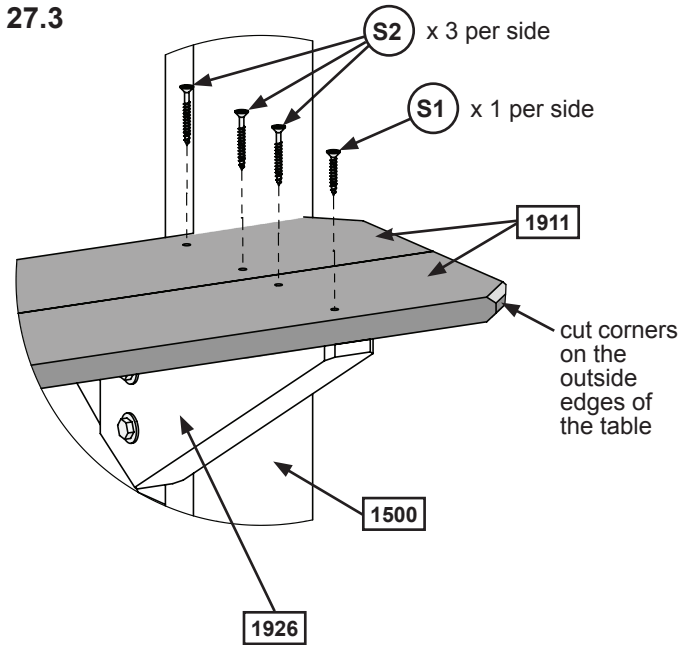


Fig. 27.3



Wood Parts

2 x 1911 Table Top 1 x 5 x 28-7/8"

Hardware

2 x S1 #8 x 1-1/8" Wood Screw

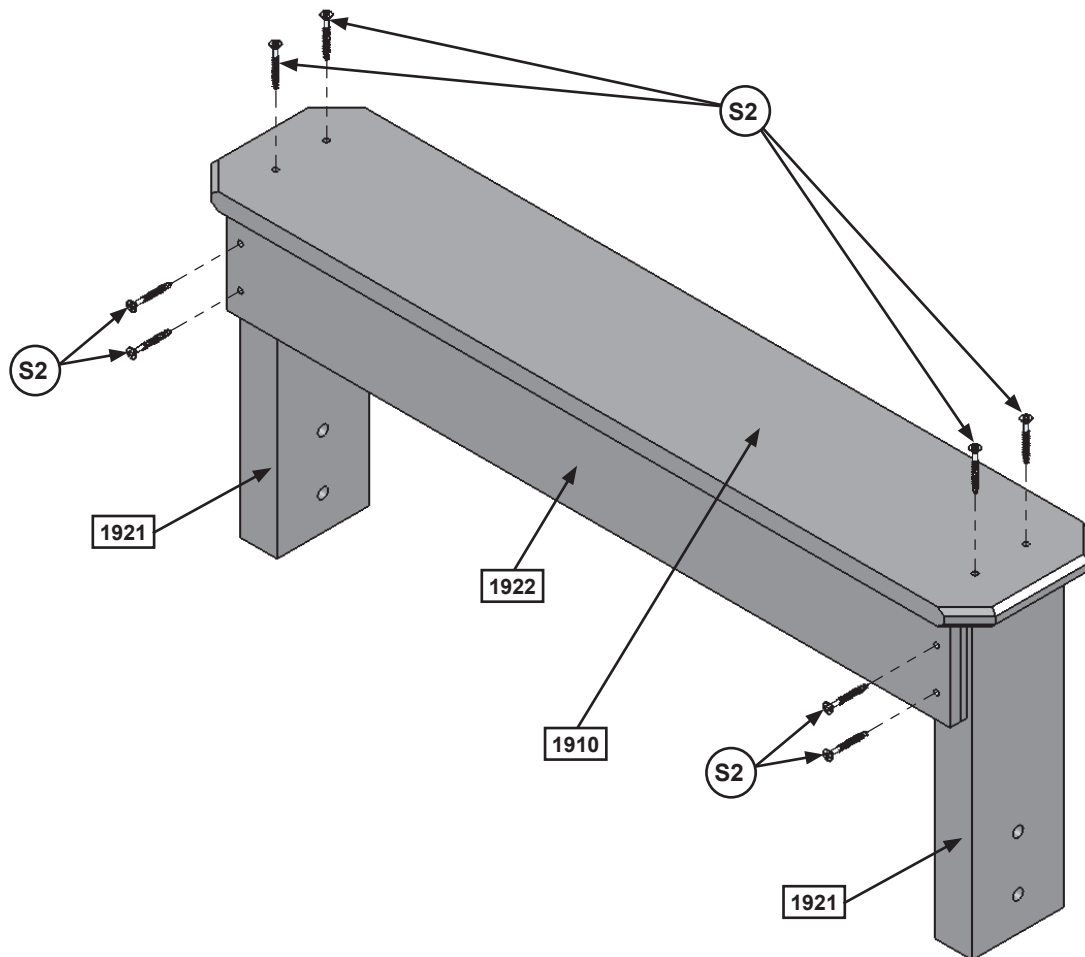
6 x S2 #8 x 1-1/2" Wood Screw

Step 28: Seat Assembly

A: Attach (1922) Seat Rail flush to the top and outside edges of 2 (1921) Seat Post with 4 (S2) #8 x 1-1/2" Wood Screws as shown in fig. 28.1. Notice the bolt holes in (1921) Seat Posts are at the bottom of the boards.

B: Centre (1910) Seat on top of (1921) Seat Posts and attach with 4 (S2) #8 x 1-1/2" Wood Screws. (fig. 28.1)

Fig. 28.1



Wood Parts

- 1 x 1910 Seat 1 x 6 x 28-7/8"
- 2 x 1921 Seat Post 2 x 4 x 11"
- 1 x 1922 Seat Rail 1 x 4 x 27"

Hardware

- 8 x S2 #8 x 1-1/2" Wood Screw

Step 29: Attach Seat Assembly to Fort

A: With (1922) Seat Rail facing the fort, attach (1917) Lower Back to (1921) Seat Post using 2 (H2) 1/4 x 2" Hex Bolts (with lock washer, flat washer and t-nut). (fig. 29.1 and 29.2)

B: On the other side of the Seat Assembly attach (1920) Seat Bottom to (1921) Seat Post with 2 (H2) 1/4 x 2" Hex Bolts (with lock washer, flat washer and t-nut). (fig. 29.1 and 29.2)

C: Attach (1920) Seat Bottom to (1914) Cafe Ground with 2 Corner Braces using 3 (S5) #8 x 1/2" Pan Screws per brace, as shown in fig. 29.1 and 29.3.

Fig. 29.1

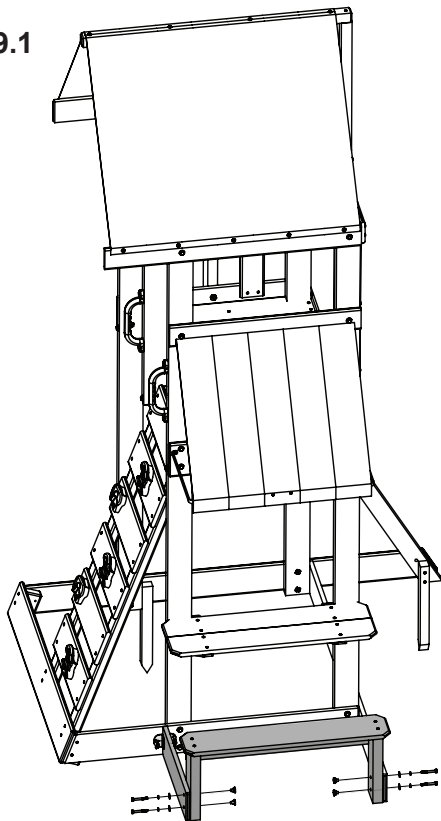


Fig. 29.3

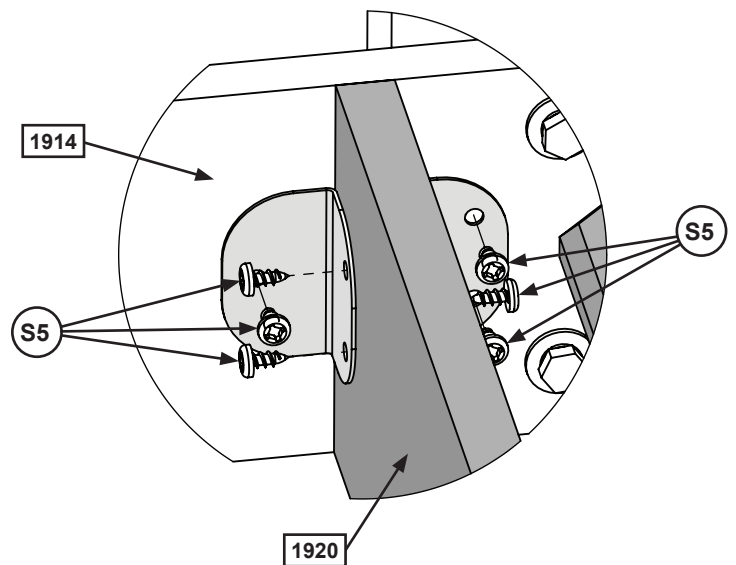
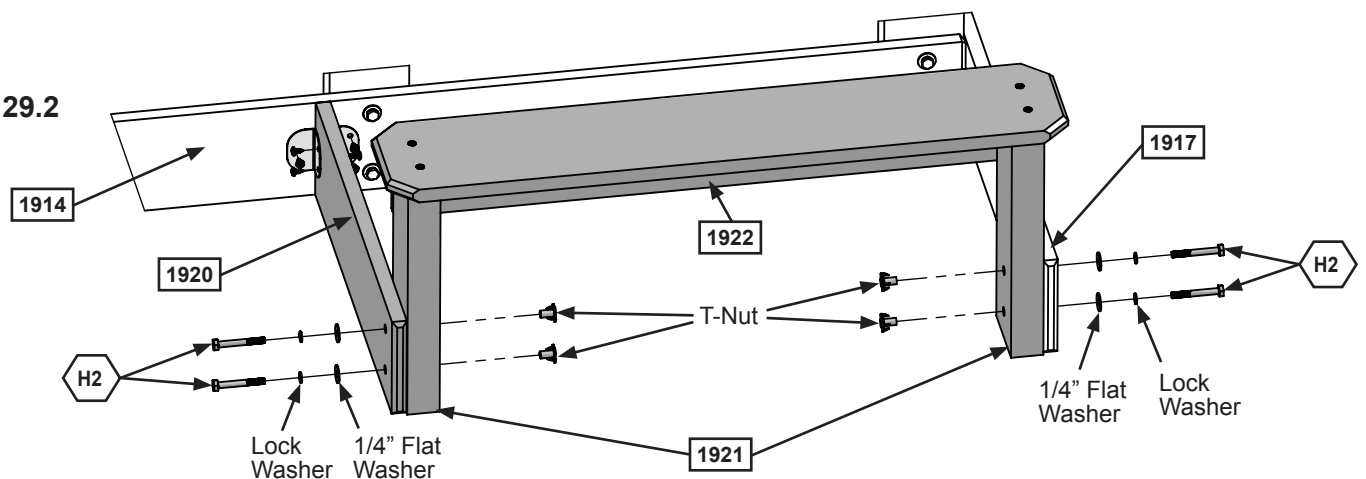


Fig. 29.2



Wood Parts

1 x 1920 Seat Bottom 1 x 5 x 17-3/4"

Hardware

4 x H2 1/4" x 2" Hex Bolt (with 1/4" lock washer, 1/4" flat washer and 1/4" t-nut)

6 x S5 #8 x 1/2" Pan Screw

Other Parts

2 x Corner Brace

Step 30: Attach Slide to Fort Part 1



Note: Pre-drill all holes using a 1/8" drill bit before installing the pan screws.

A: Place Slide in the centre between (1916) Front Divider and (1500) Post. (fig. 30.1)

B: Attach slide to fort through the floor boards and into (1764) Floor Front using 3 (S7) #12 x 2" Pan Screws. (fig. 30.2)

Fig. 30.1

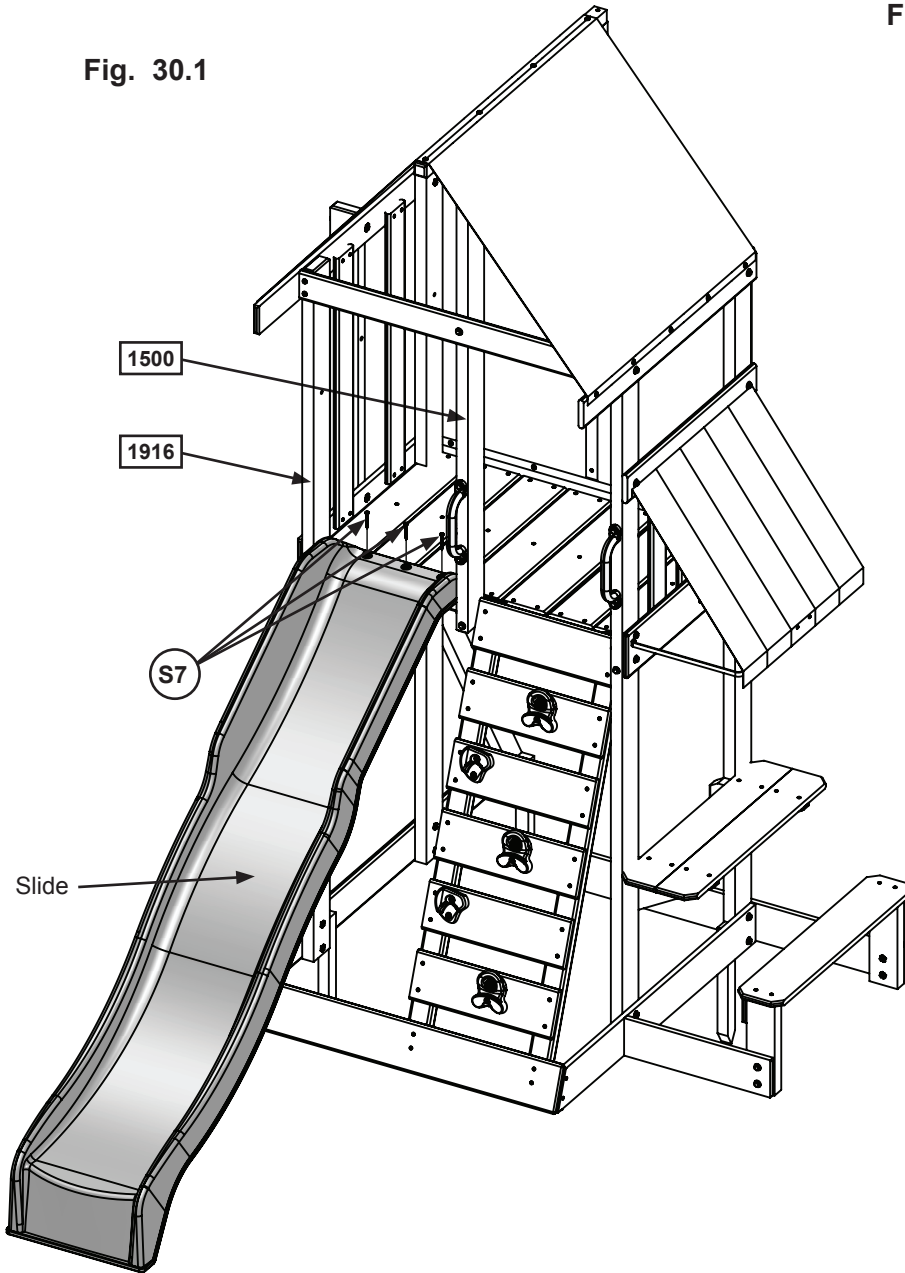
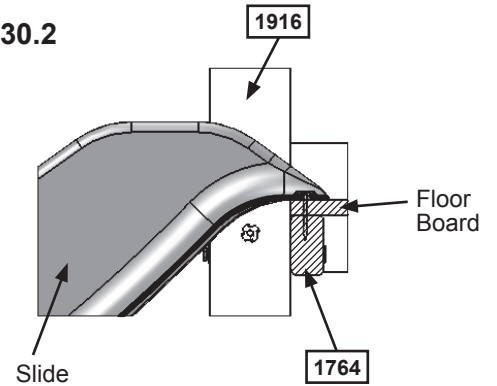


Fig. 30.2



Hardware

3 x (S7) #12 x 2" Pan Screw

Other Parts

1 x Slide

Step 30: Attach Slide to Fort Part 2

A: Attach 1 (10860) Filling to (1500) Post, flush to the edge of (1500) Post, using 2 (S15) #8 x 1-3/4" Wood Screws as shown in fig. 30.3 and 30.4.

Fig. 30.3

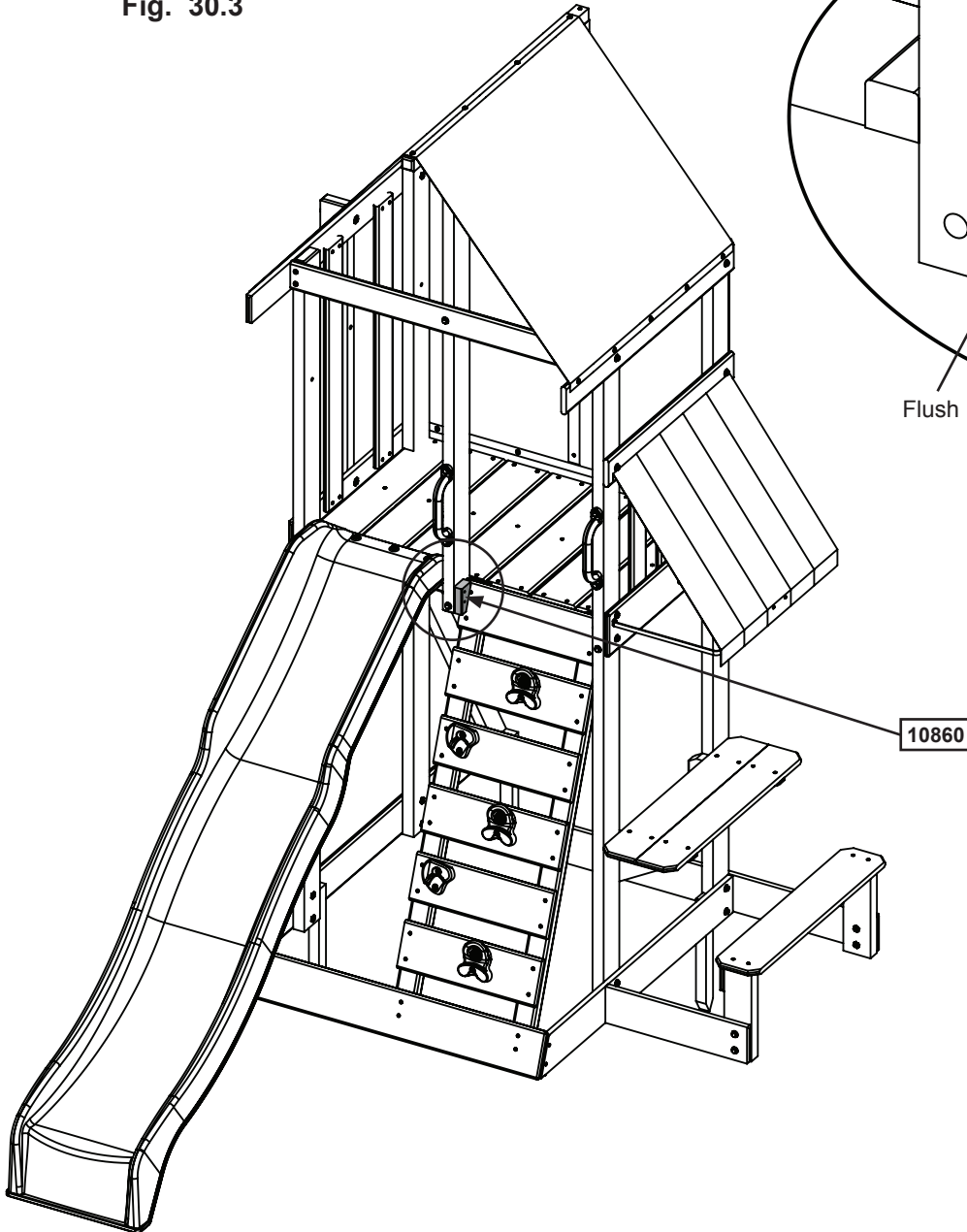
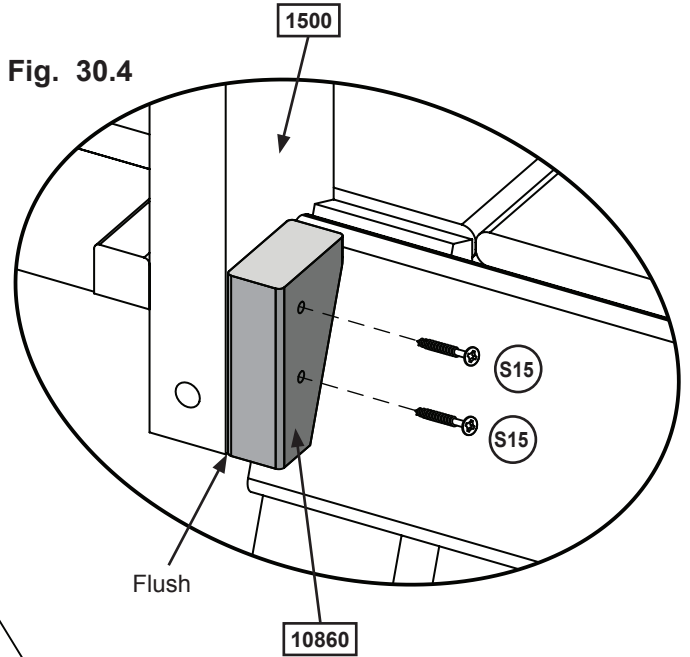


Fig. 30.4



Wood Parts

1 x **10860** Filling 1" x 2" x 3 1/4"

Hardware

2 x **S15** #8 x 1-3/4" Wood Screw

Step 30: Attach Slide to Fort Part 3

A: Attach 2 (10860) Filling to (1500) Post and (1916) Front Divider, tight to the bottom of the Slide, using 2 (S15) #8 x 1-3/4" Wood Screws per Filling, as shown in fig. 30.5, 30.6 and 30.7.

Fig. 30.5

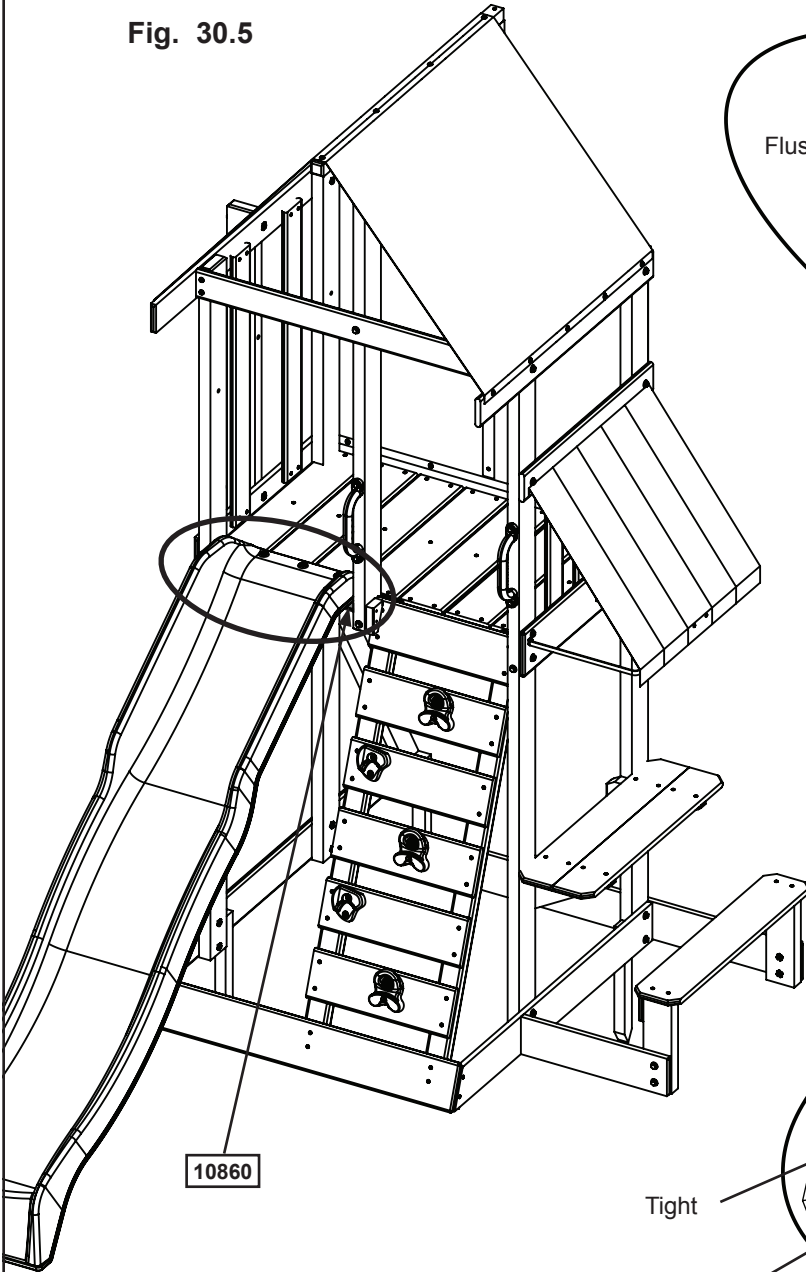
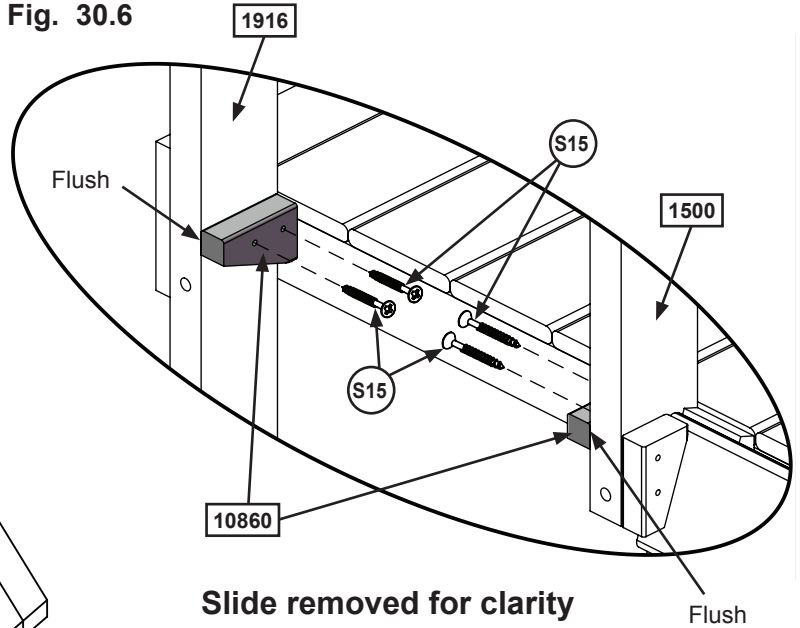
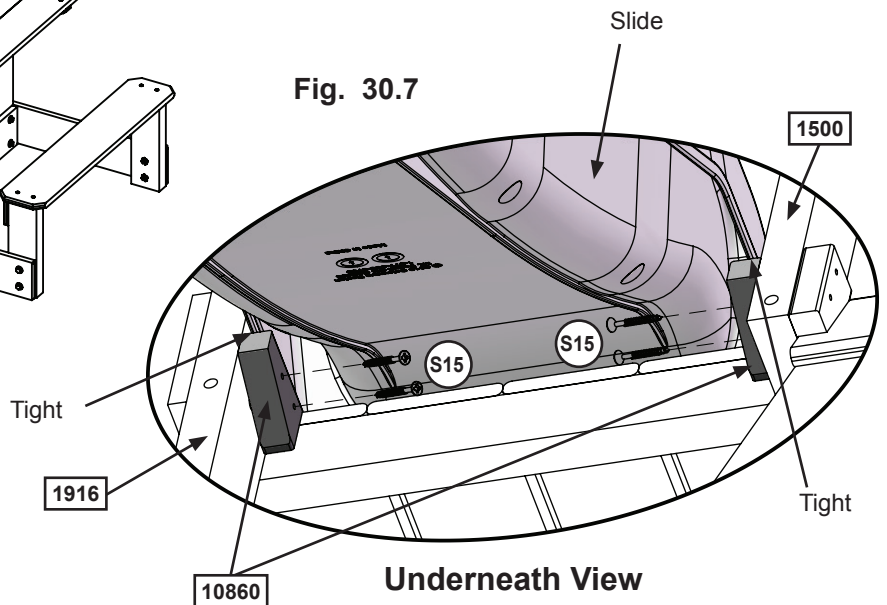


Fig. 30.6



Slide removed for clarity

Fig. 30.7



Underneath View

Wood Parts

2 x **10860** Filling 1" x 2" x 3 1/4"

Hardware

4 x **S15** #8 x 1-3/4" Wood Screw

Step 31: Attach Swing Assembly to Fort



A: Attach Swing Assembly from Step 4 to (1861) SW Mount with 1 (G5) 5/16 x 4-1/2" Hex Bolt (with lock washer, flat washer and t-nut) and 1 (G8) 5/16 x 2" Hex Bolt (with 2 flat washers and 1 lock nut) as shown in fig. 31.1.

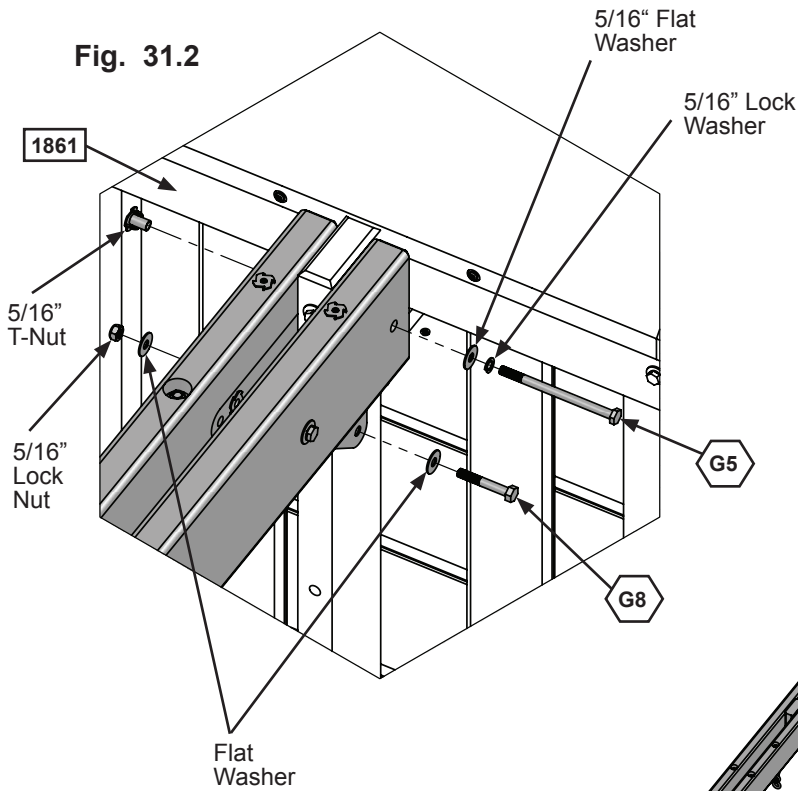
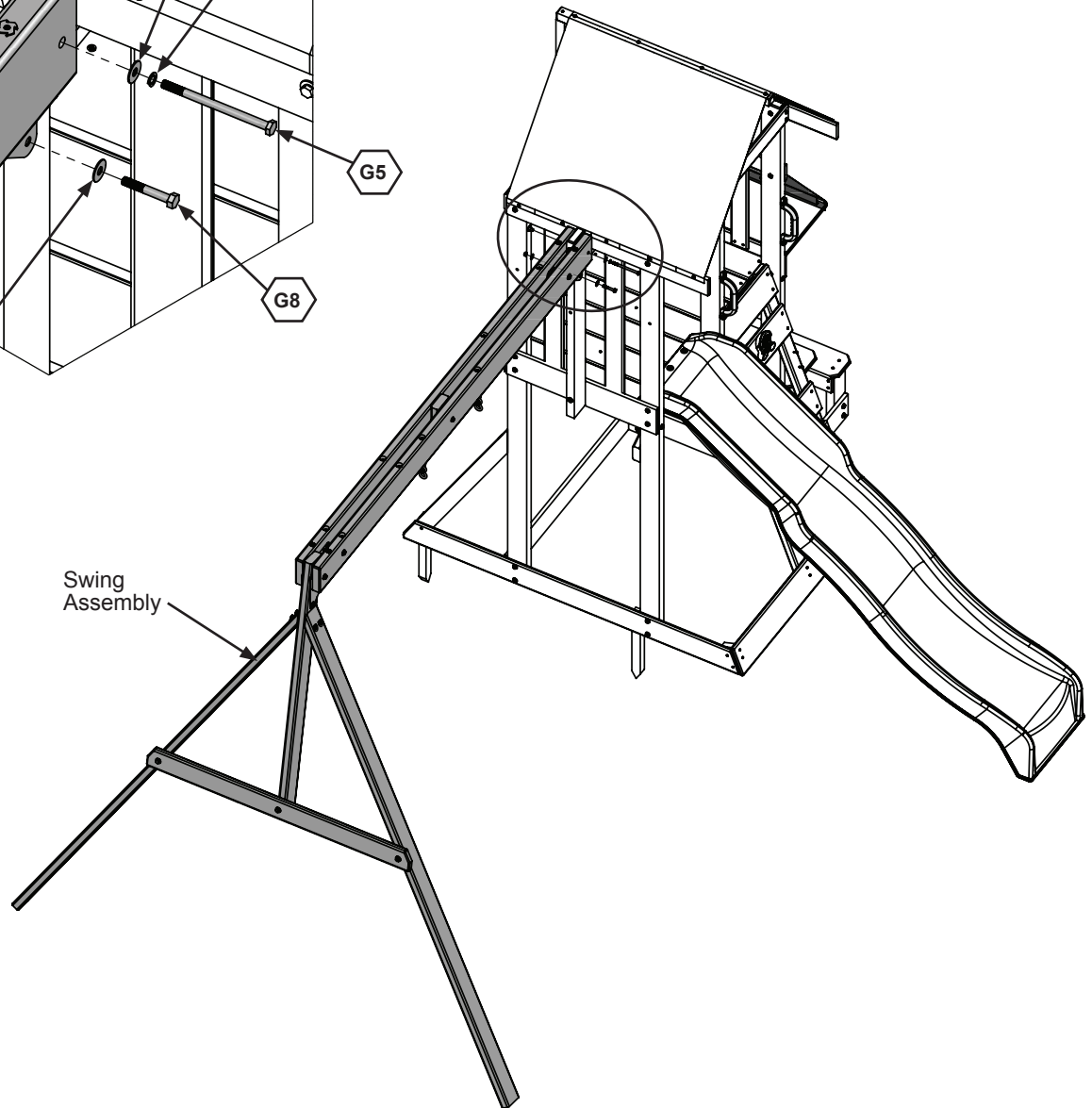




Fig. 31.1



Hardware

- 1 x  5/16 x 2" Hex Bolt
(5/16" flat washer x 2, 5/16" lock nut)
- 1 x  5/16 x 4-1/2" Hex Bolt
(5/16" flat washer, 5/16" lock washer, 5/16" t-nut)

Step 32: Attach Swing Ground Stakes

A: Drive 1 (0318) Ground Stake 10-1/2" into the ground at each (1863) SW Post and attach with 2 (S3) #8 x 2-1/2" Wood Screws per ground stake. (fig. 32.1 and 32.2)

⚠WARNING: To prevent tipping and avoid potential injury, stakes must be driven 10-1/2" into ground. Digging or driving stakes can be dangerous if you do not check first for underground wiring, cables or gas lines.

Fig. 32.2

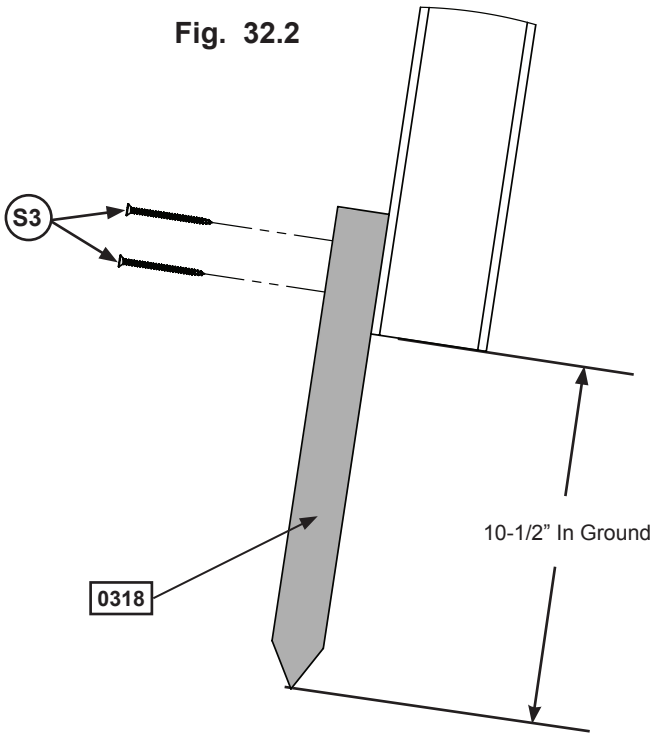
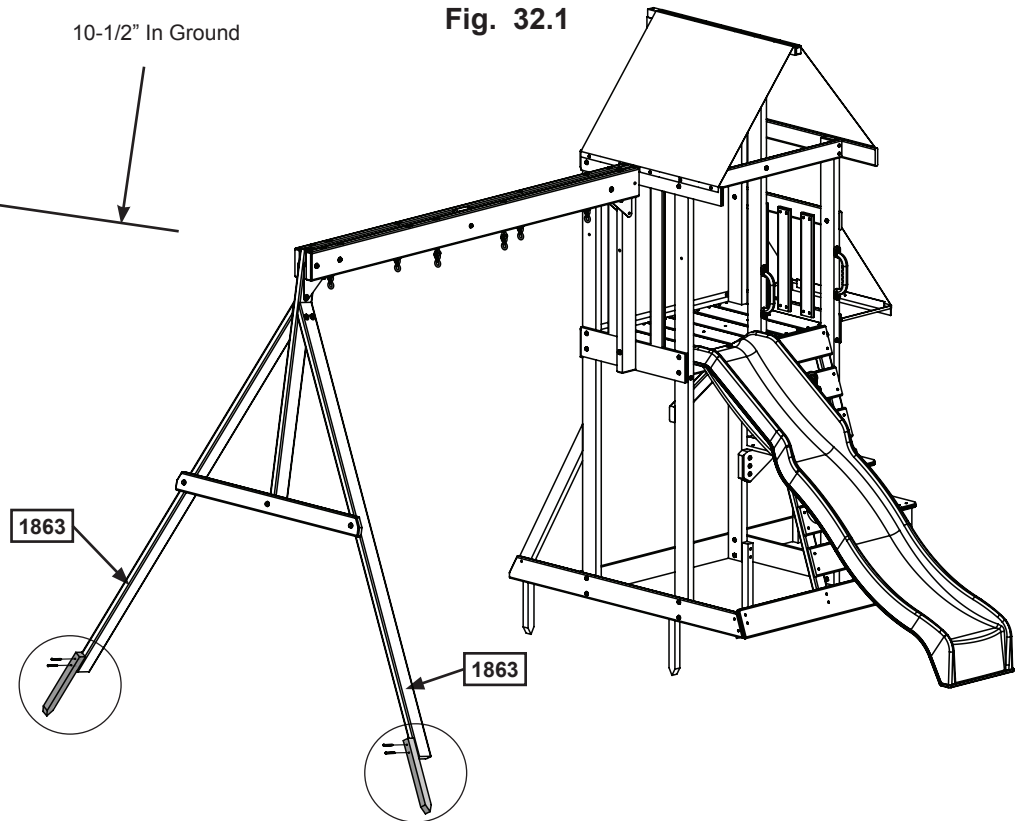


Fig. 32.1



Wood Parts

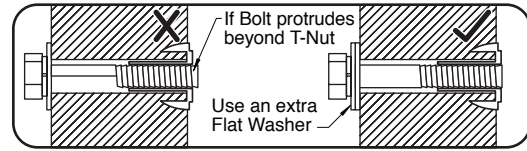
2 x 0318 Ground Stake 1-1/4 x 1-1/2 x 14"

Hardware

4 x S3 #8 x 2-1/2" Wood Screw

Step 33: Attach Glider and Swings

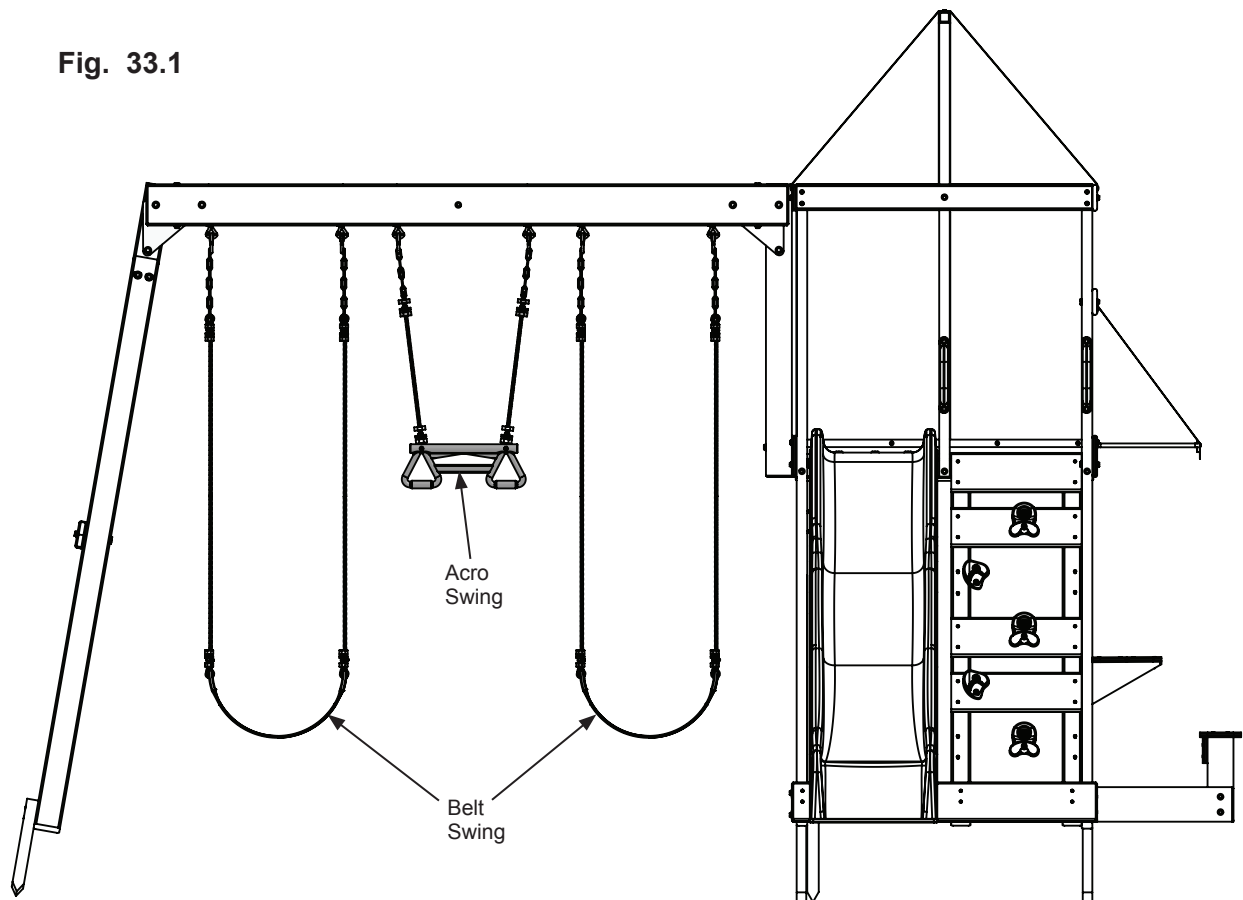
⚠ WARNING: Check entire play centre for bolts protruding beyond T-Nuts. Use extra washers to eliminate this condition.



A: Attach 1 Acro Swing to the Bolt-Thru Swing Hangers. (fig. 31.1)

B: Attach 2 Belt Swings to the Bolt-Thru Swing Hangers. (fig. 31.1)

Fig. 33.1



Other Parts

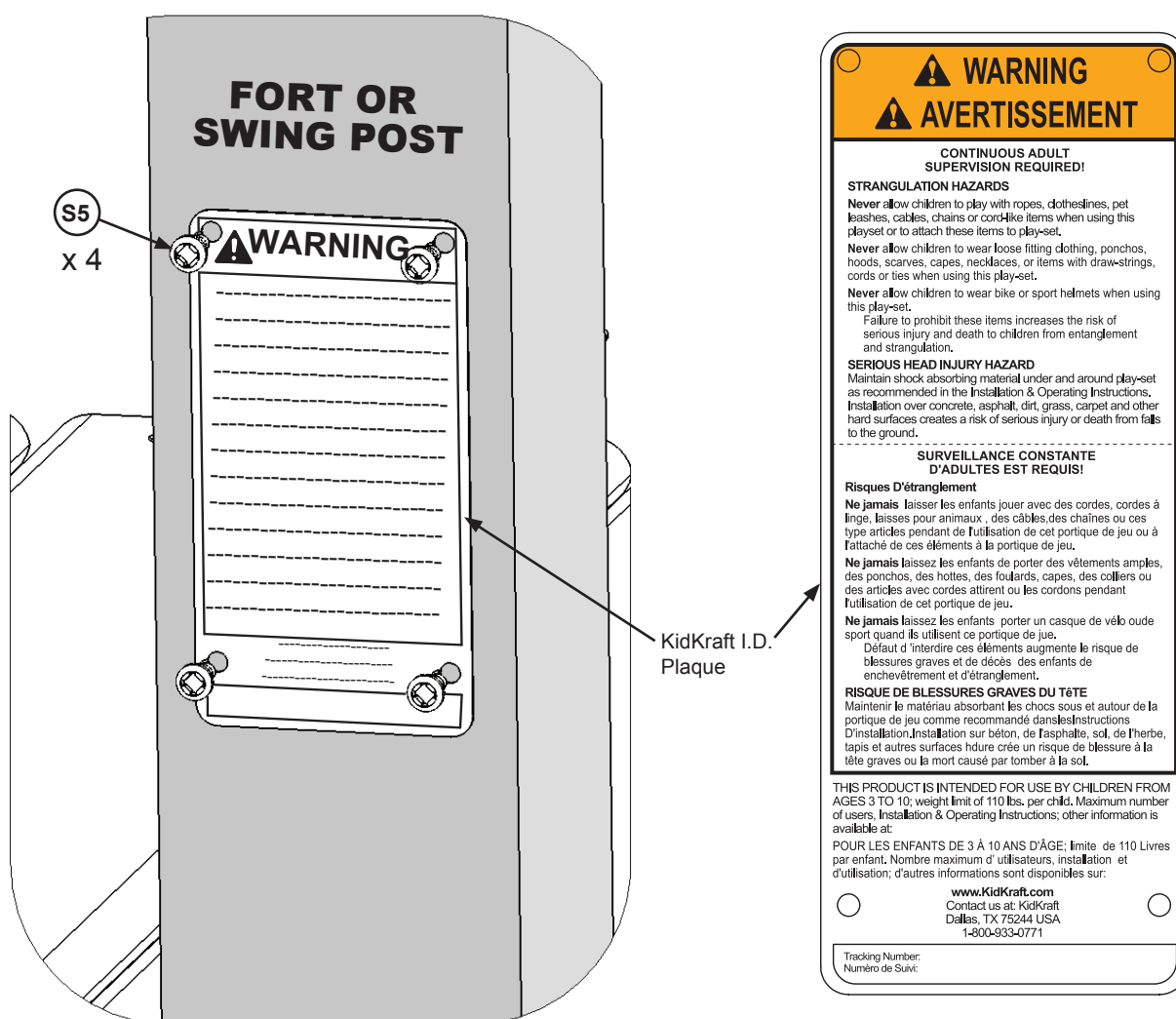
2 x Belt Swings

1 x Acro Swing

Final Step: Attach I.D. Plaque

ATTACH THIS WARNING & I.D. PLAQUE TO A PROMINENT LOCATION ON YOUR PLAY EQUIPMENT! (Fort or Swing Post)

This provides warnings concerning safety and important contact information. A Tracking Number is provided to allow you to get critical information or order replacement parts for this specific model.



Attach with (S5) #8 x 1/2" Pan Screws to a location on your set that is easily seen and read by a supervising adult.

Hardware

4 x (S5) #8 x 1/2" Pan Screw

Other Parts

1 x KidKraft I.D. Plaque

KIDKRAFT

Consumer Registration Card

First Name

Initial

Last Name

Street

Apt. No.

City

State/Province

ZIP/Postal Code

Country

Telephone Number

E-Mail Address

Model Name

Model Number

(Box Labels)

Serial Number (on ID Plaque)

Date Purchase

Purchased From

MM / DD / YY

How would you rate this product for quality?

Excellent

Very Good

Average

Below Average

Poor

How would you rate this product for ease of assembly?

Excellent

Very Good

Average

Below Average

Poor

How would you rate our instructions?

Excellent

Very Good

Average

Below Average

Poor

How would you rate the quality of packaging?

Excellent

Very Good

Average

Below Average

Poor

Would you recommend the purchase of our products to friends and family?

Yes

No

Comments:

MAIL TO:

KidKraft

4630 Olin Road

Dallas, TX 75244

United States

Attention: Customer Service

Fill out your registration card online at

<https://prdregistration.kidkraft.com/>

KidKraft would like to say Thank You for your time and feedback.



CUT ALONG LINE

