



ASSEMBLY INSTRUCTION

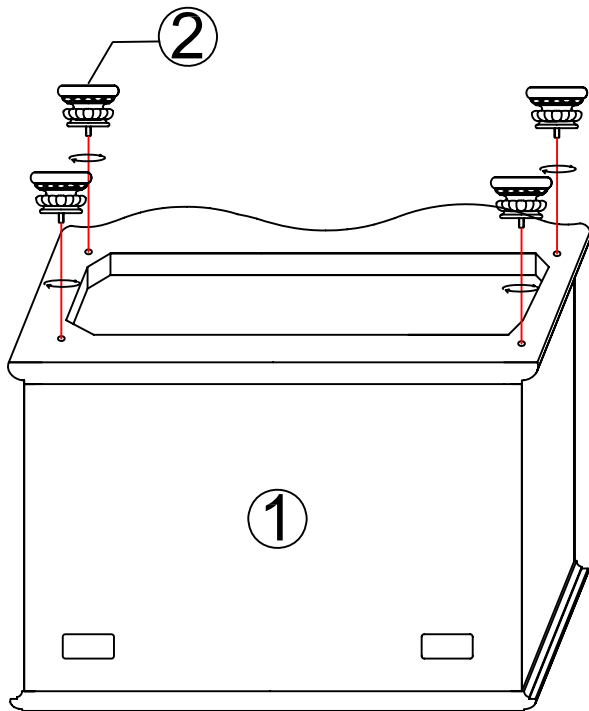
ITEM: 5851-85001 Three-Drawer Chest

Thank you for purchasing this quality product. Be sure to unpack carefully looking for small parts which may have come loose during shipment.

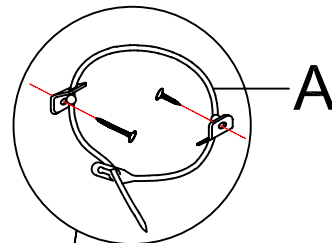
Read all instruction and study the drawing carefully before starting the assembly process.

HARDWARE PACK				
NO.	DRAWING	DESCRIPTION	SIZE	Q'TY
A		Anti - Tip Kit		1 PC

PART LIST			
NO.	DRAWING	DESCRIPTION	Q'TY
①		Case Body	1 PC
②		Bun Feet	4 PCS



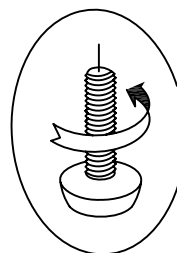
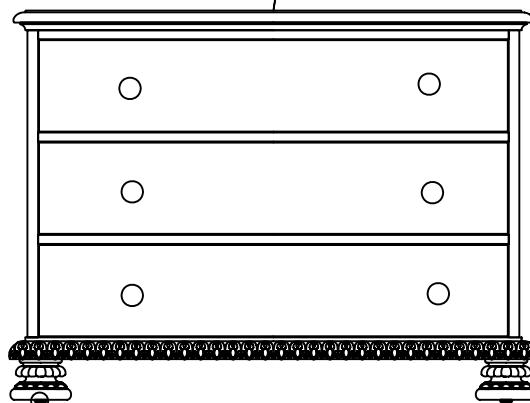
Tipping Restraint



Anti-tip kit is included for use. We recommend installing for safety reason.

Step 1

Install the bun feet with bolt (2) in clockwise direction into the bottom of the case (1).



Step 2

Adjust leveler if needed to level the chest on uneven floor.

Note: Anti-tip kit restraint is provided. Please follow the instructions enclosed with the pack.