

# Lumière Toilet Seat with Night Light INSTALLATION INSTRUCTIONS

Swiss Madison®  
well made forever

## Prior to Installation:

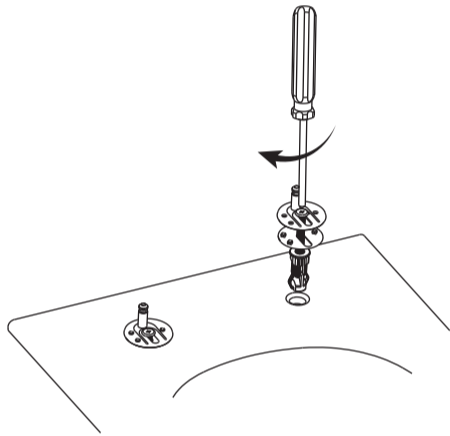
- Inspect product to ensure no damages have occurred while in shipping.
- The step-by-step guidelines in the installation instructions are a general reference. Should there be any discrepancies, Swiss Madison cannot be held liable. It is recommended to install all Swiss Madison products by hiring a licensed professional.
- Read installation and maintenance instructions thoroughly before installing. Be sure to use proper tools and always wear proper personal safety accessories for your protection.

## Recommended Tools:

- Screwdriver
- AAA Battery (not included)

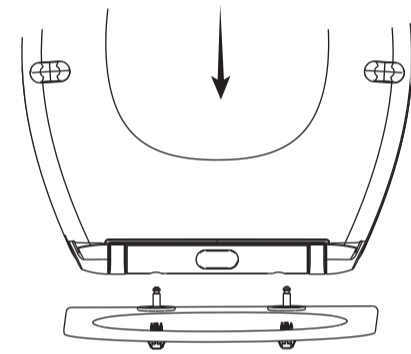
## 1. Install Mounting Hardware

- Install expansion nut, rubber washer, hinge and screw into the hole, then tighten with screwdriver.



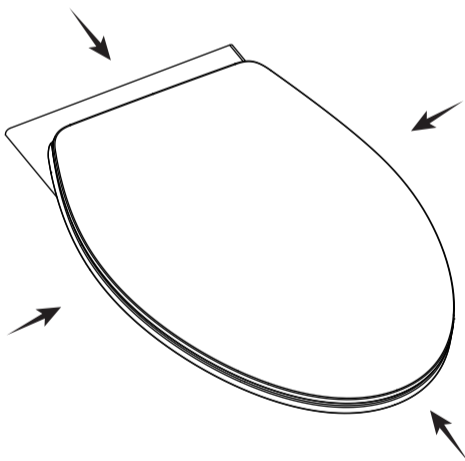
## 2. Align Seat

- Align toilet seat with hinge pin and install onto toilet.



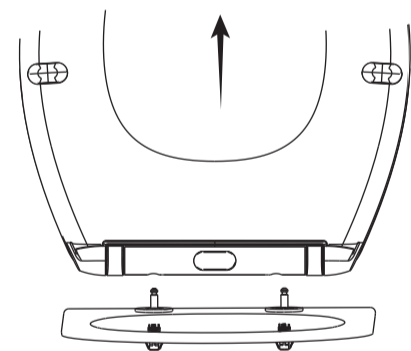
## 3. Adjust Fit

- Adjust seat on the bowl for perfect fit.



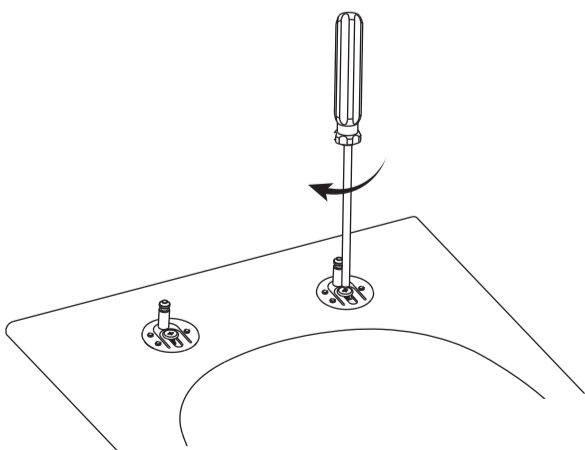
## 4. Remove Seat

- Open seat 90°, then press the button to remove from toilet.



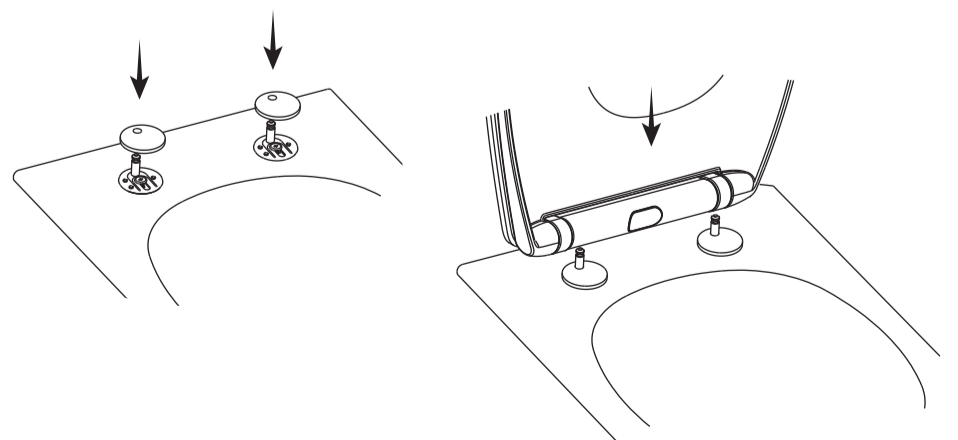
## 5. Tighten Screws

- Tighten the screws on both hinges.



## 5. Install Seat

- Install hinge covers, then align toilet seat with hinge pin and install onto toilet.



# Lumière Toilet Seat with Night Light

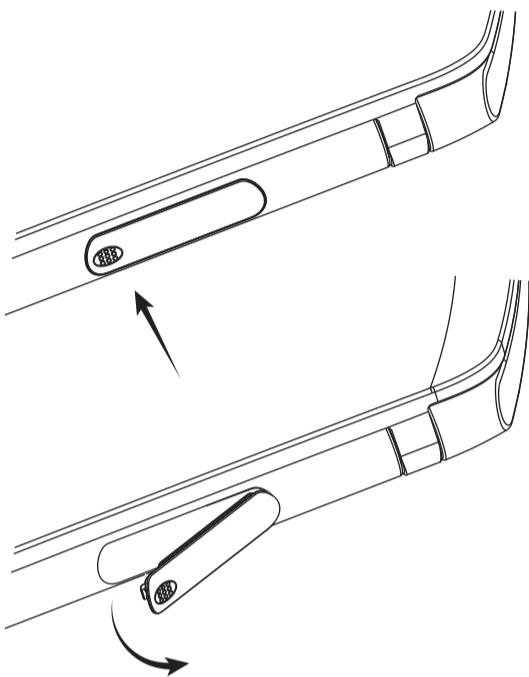
## MAINTENANCE INSTRUCTIONS

Swiss Madison®  
well made forever

### Battery Installation:

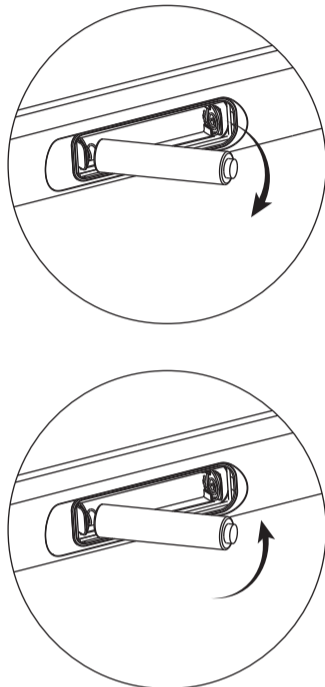
#### 1. Remove Cover

- Press the position shown until you hear a \*click\* to remove the battery cover.



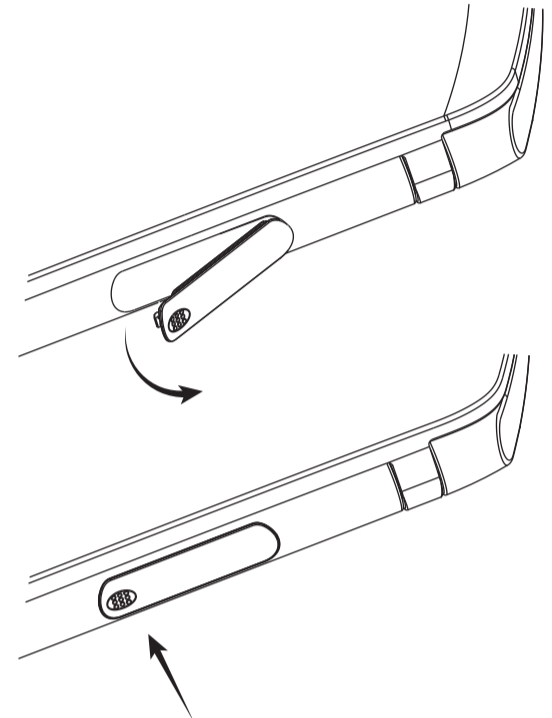
#### 2. Replace Battery

- Remove the old battery.
- Insert new AAA battery (not included).



#### 3. Replace Cover

- Press the position shown until you hear a \*click\* to lock the battery cover.



### Maintenance:

- Use a smooth or cloth with diluted kitchen detergent to clean the product. Do not use the following: hydrogen chloride detergent, paint thinner, benzene, abrasive paper, polishing agent, fragrance or insecticide etc.

### Caution:

- Do not open or close the seat with excessive force, this may cause damage to the seat.
- Do not expose to direct sunlight, this may cause color fading.
- Do not stand or place heavy objects on the seat.

If you have any questions or concerns please contact us:

1-434-623-4766

info@swissmadison.com