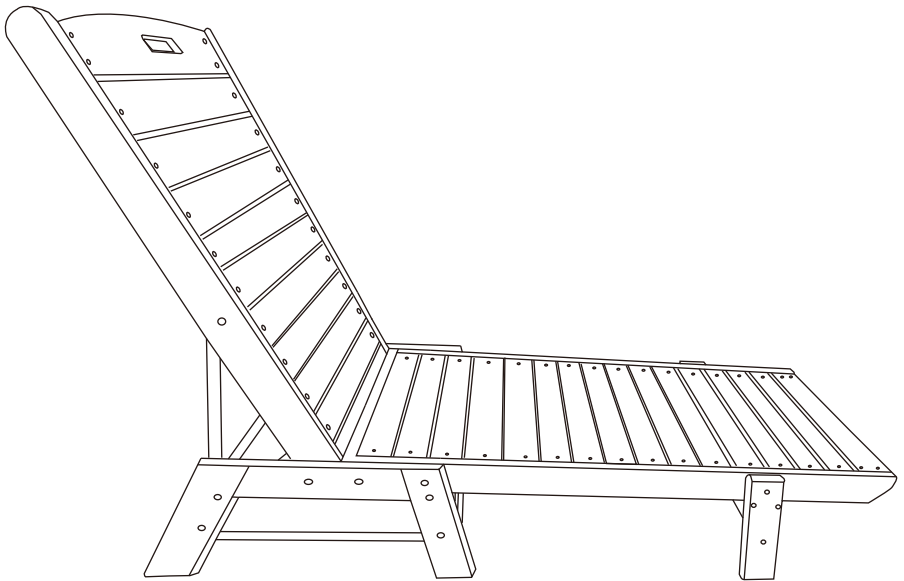


INSTRUCTION MANUAL



Reclining Chaise Lounge With Poly Material
SKU: OP4004

V1.0

! NOTICE

Do not overtighten screws. (Insert all screws before tighten screws.)

- Please do not exceed the weight limitations of this item.
- Do not stand on or use any part of this item as a step ladder.
- Firmly secure all bolts, screws and nuts before use.
- Reconfirm that all bolts, screws, and nuts are secure every 90 days.
- Do not use or store this item in the proximity of open flame or flammable/combustible chemicals.
- Be aware that some parts are heavy and have sharp edges.
- Be very careful when adjusting lounge backrest to avoid smashing your hands or fingers.

TOOLS REQUIRED



ALLEN WRENCH
(PROVIDED)



WRENCH
(PROVIDED)



LOUNGE
330 LBS
CAPACITY



1 PERSON
ASSEMBLY



UP TO 30 MIN.
ASSEMBLY

HARDWARE

1

M6 x 90mm
BOLT



2 PCS

2

M6 x 50mm
BOLT



22 PCS

3

M6 x 35mm
BOLT



2 PCS

4

M6 NUT



2 PCS

5

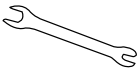
M6 WASHER



2 PCS

6

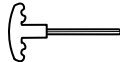
WRENCH



1 PC

7

ALLEN
WRENCH

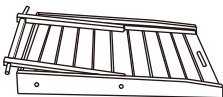


1 PC

PARTS

A

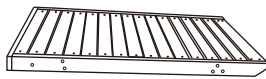
LOUNGE BACKREST



1 PC

B

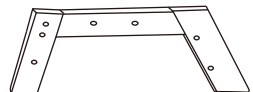
LOUNGE BASE



1 PC

C

LEFT REAR LEG

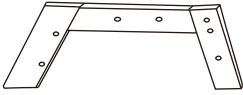


1 PC

PARTS

D

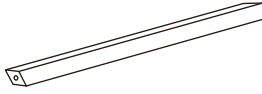
RIGHT REAR LEG



1 PC

E

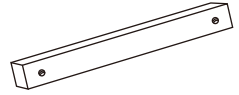
LONG RAIL



2 PCS

F

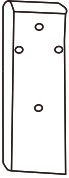
SHORT RAIL



2 PCS

G

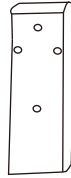
RIGHT FRONT LEG



1 PC

H

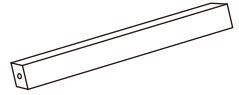
LEFT FRONT LEG



1 PC

I

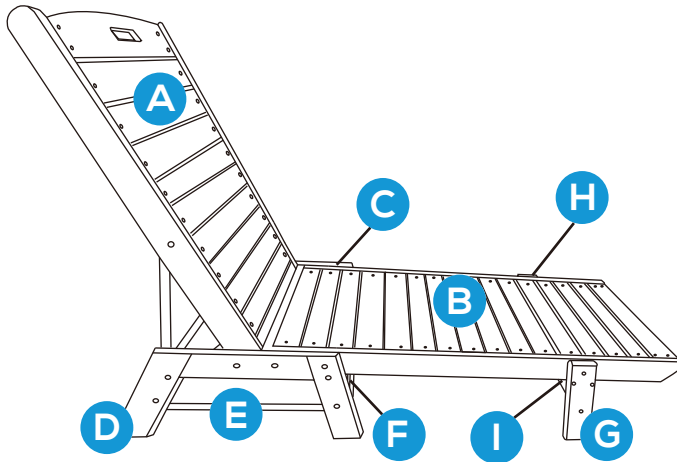
RAIL



2 PCS

PRODUCT ASSEMBLY - OVERALL VIEW

Look at the overall view of this chaise Lounge as below and learn the exact position of each part to be assembled.

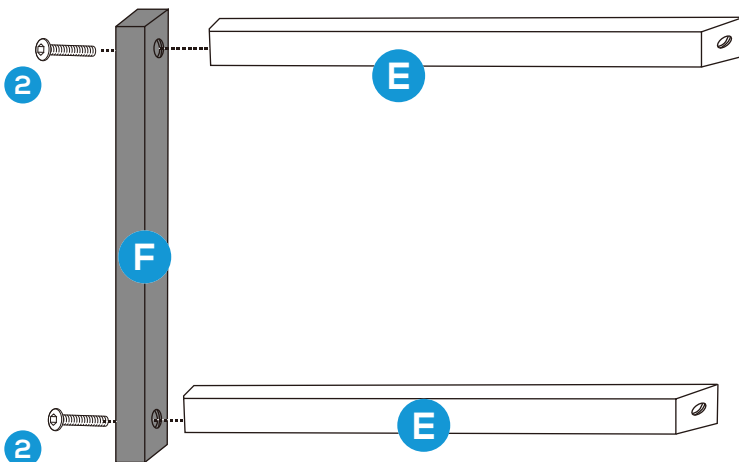


PRODUCT ASSEMBLY

1

Attach part F Short Rail to 2 PCS of part E Long Rails with 2 PCS of hardware 2 Bolt.

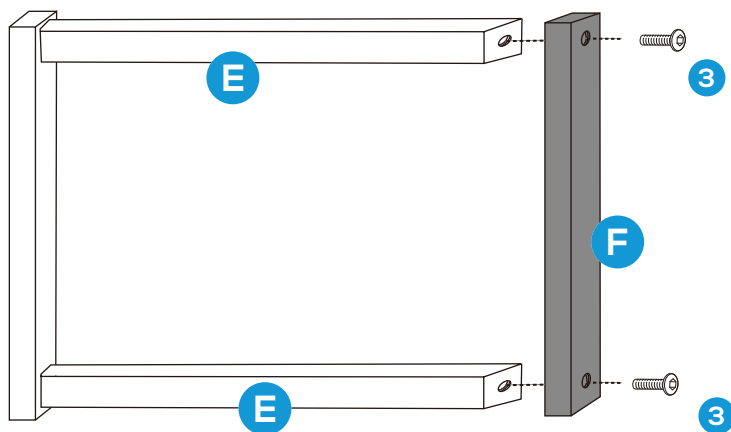
Pay attention that both the bevel ends of the long rail facing towards outside.



PRODUCT ASSEMBLY

2

Attach part F Short Rail to the sharp end of part E Long Rail with 2 PCS of hardware 3 Bolt.

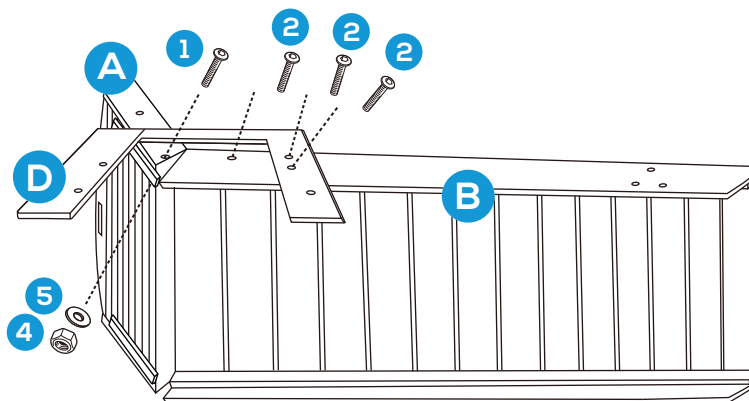


3

Place part B Lounge Base and part A Lounge Backrest as below.

Attach part D Right Rear Leg to part B Lounge Base with 3 PCS of of hardware 2 Bolt.

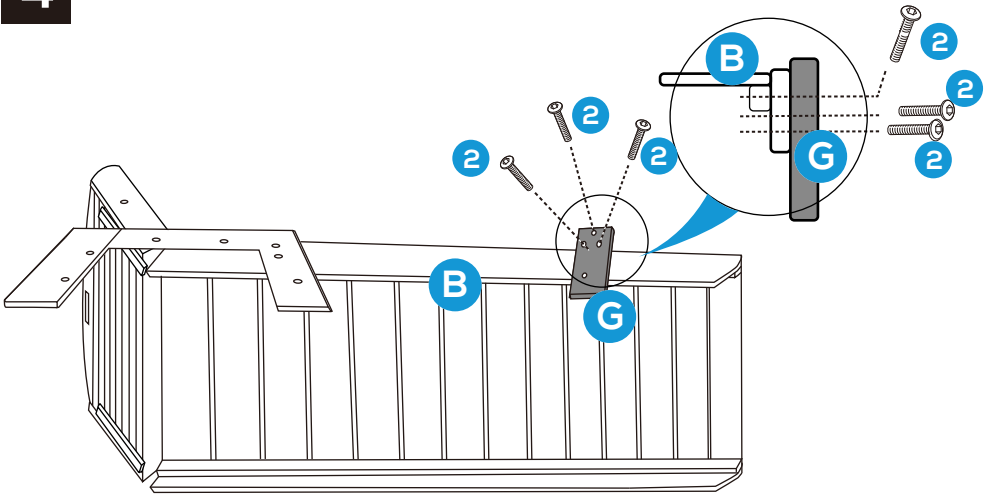
Attach part D Right Rear Leg to part A Lounge Backrest with 1 set of hardware 1 Bolt, hardware 5 Washer and hardware 4 Nut.



PRODUCT ASSEMBLY

4

Attach part G Right Front Leg to part B Lounge Base with 3 PCS of hardware 2 Bolt.

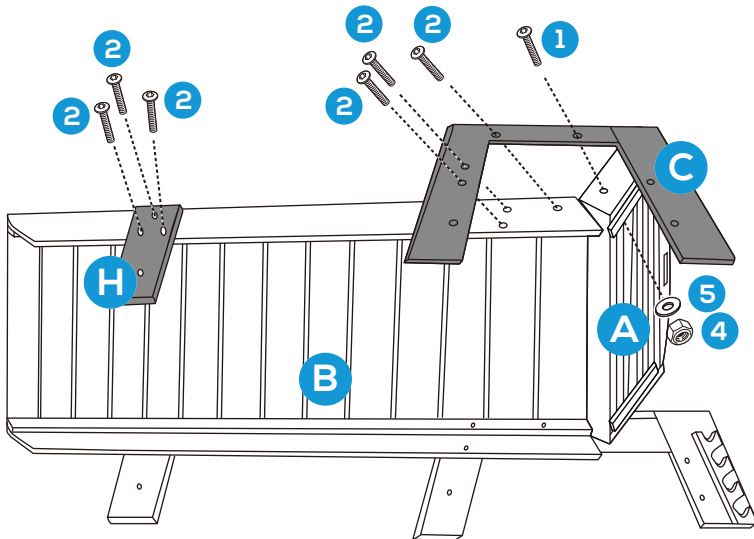


5

Attach part C Left Rear Leg to part B Lounge Base with 3 PCS of hardware 2 Bolt.

Attach part C Left Rear Leg to part A Lounge Backrest with 1 set of hardware 1 Bolt, hardware 5 Washer and hardware 4 Nut.

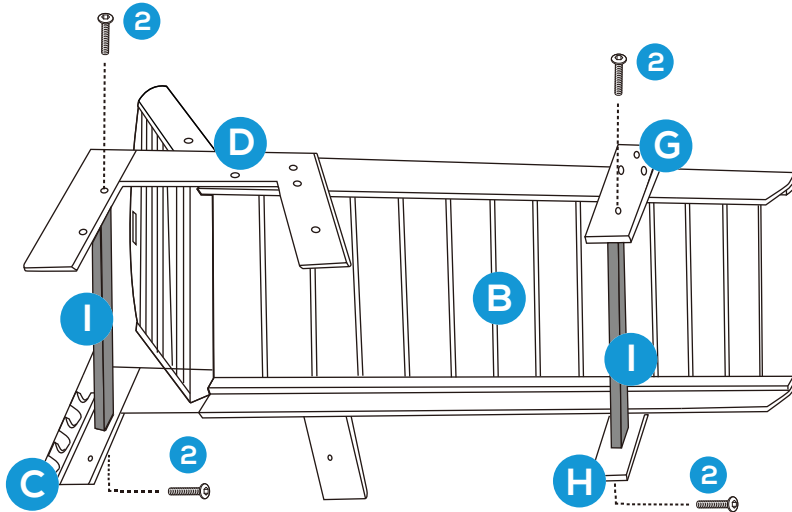
Attach part H Left Front Leg to part B Lounge Base with 3 PCS of hardware 2 Bolt.



PRODUCT ASSEMBLY

6

Attach 2 PCS of part I Rail between part D Right Rear Leg and part C Left Rear Leg as well as part G Right Front Leg and part H Left Front Leg with 4 PCS of hardware 2 bolt.

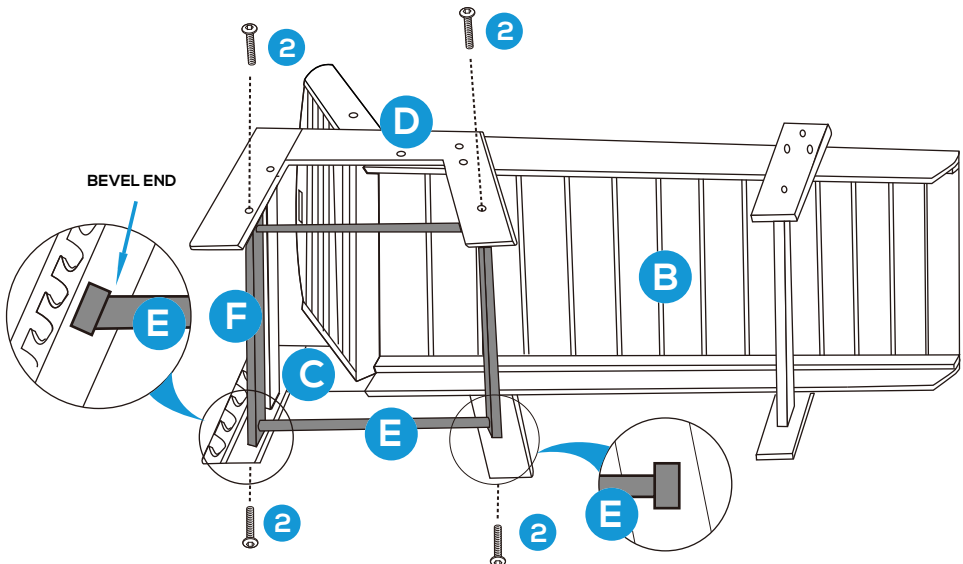


7

Attach the combined Rail frame (E +F) between part C Left Rear Leg and part D Right Rear Leg with 4 PCS of hardware 2 Bolt.

Pay attention to attach the rail frame with the BEVEL END towards the rear leg of the lounge.

Tighten all the bolts and nuts again to finish the assembly.



PRODUCT ASSEMBLY

8

Position the supporting pole into the brackets on the rear legs for a comfortable rest.

ATTENTION: Four positions available for adjustment (P1-P4 as below), you can choose to use.

