

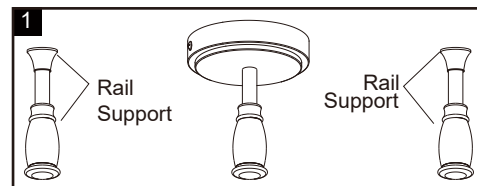
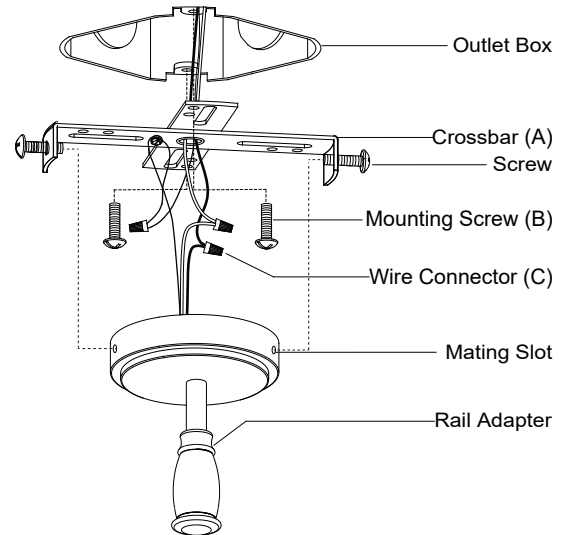
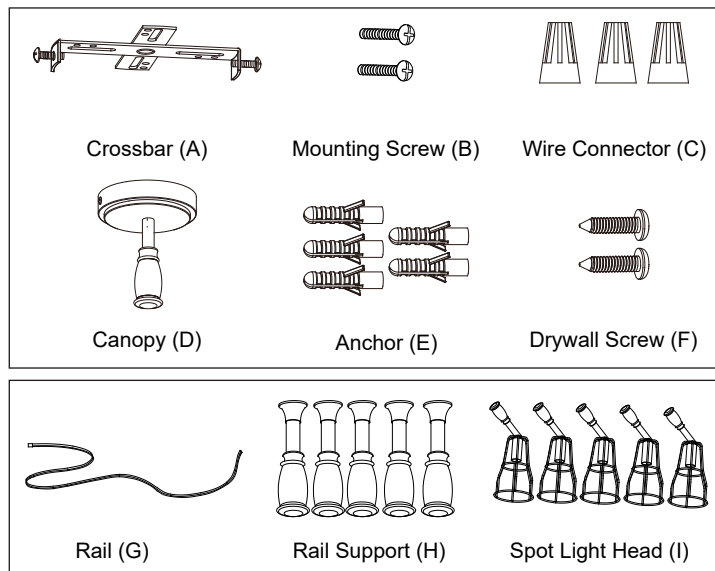
ASSEMBLY AND INSTALLATION INSTRUCTIONS

C0317

WARNING: TO AVOID RISK OF ELECTRICAL SHOCK, BE SURE TO SHUT OFF POWER WHILE INSTALLING OR SERVICING THIS FIXTURE.

NOTE: 1. Before installing, consult local electrical codes for wiring and grounding requirements.
2. Read and save this instructions.

Hardware Package (included):



Installation Steps

Turn off the power at fuse or circuit box

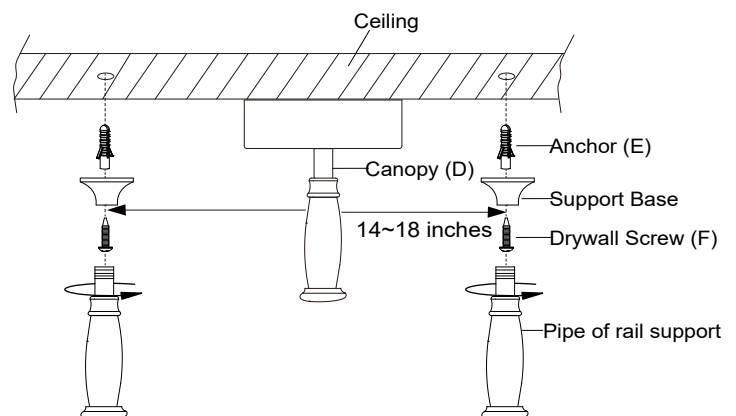
1. Attach the crossbar (A) to the outlet box by using two mounting screws (B).
2. Connect the black wire from the canopy (D) to the house black wire and the white wire from the canopy (D) to the house white wire using wire connectors (C) provided. Connect the green ground wire from the canopy (D) to the house ground wire with the wire connector (C). Tuck all the wires into outlet box.
3. Attach the canopy (D) to the crossbar (A). Lift the canopy (D), allowing the two screws from the crossbar (A) to slide into the mating slots. Rotate the canopy (D) clockwise until the screws drop into the slot recesses. Tighten screws securely.

Assembly Instructions For Rail Support

1. Mark two desired positions and drill them on the ceiling for two rail supports on the side of the canopy (D).
Note: Center the canopy between two rail supports and the distance between each rail support and the canopy is 14 ~ 18 inches. So the remainder length of the rail could be bent to a wonderful arc.

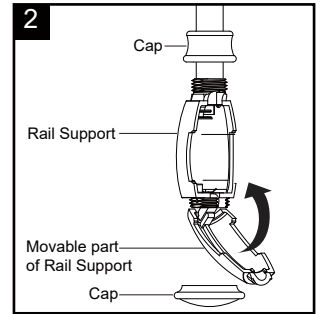
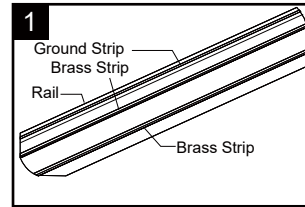
2. Attach two anchors (E) to the drilled positions.

3. Unscrew the support bases from the rail supports, then attach support bases onto the ceiling by threading drywall screws (F) into the pre-tightened anchors (E). Secure the pipe of rail supports into the support bases tightly. Secure the pipe of rail supports into the support bases tightly.



Assembly instructions for rail

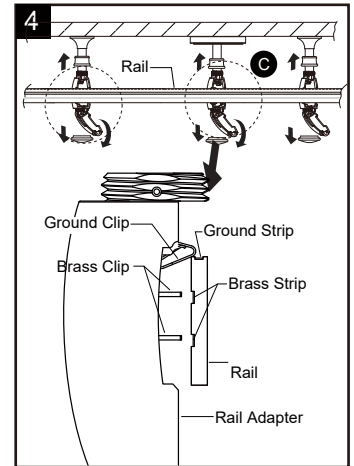
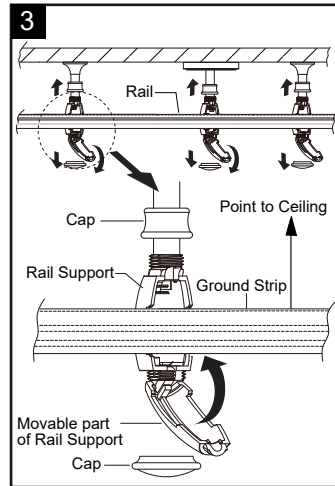
1. Carefully take out the rail from the package. Place the rail as shown in Fig.1. There is a ground strip on the top of the rail, and two other brass strips placed at the same side of the rail.
2. Unscrew the caps from one pre-tightened rail supports, then rotate the movable part of the rail support down.
3. Attach the rail, while making certain the ground strip is facing to the ceiling. Close the movable part of the rail support over the rail. Once a good fit is achieved, re-tighten the caps back onto the rail support to secure rail in place.
4. Unscrew the caps from the rail adapter, then turn the movable part of the rail adapter down.



Attach the rail onto the slot of the pre-tightened rail adapter.

Note: If the adapter is not able to close around the rail, double check that the brass strips on the rail and the brass clips on the rail adapter is aligned properly.

Close back the movable part of rail adapter over the rail, then restore the caps back to the rail adapter. Make certain that the brass clips of the rail adapter are connected properly with the brass strips of the rail.

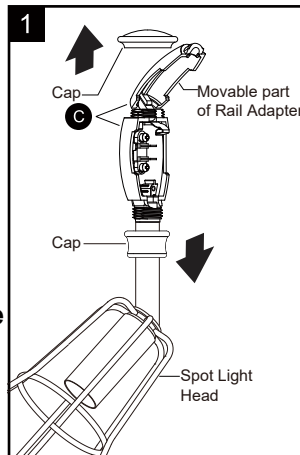


Assembly Instructions For Spot Light

CAUTION:

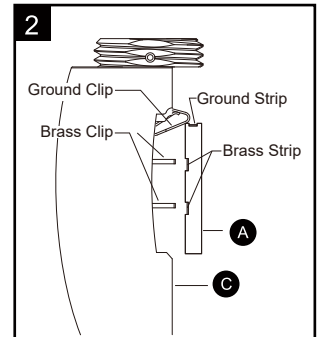
To reduce the risk of fire, electrical shock, or personal injury, do not touch or remove the spot light on the rail when the light is on. Instead, turn off the electrical power. Unscrew the caps and to remove the spot light from the rail. Then reinstall them back onto the desired positions of the rail.

1. Choose one spot light, unscrews the caps from the rail adapter of spot light, then turn the movable part of rail adapter up.

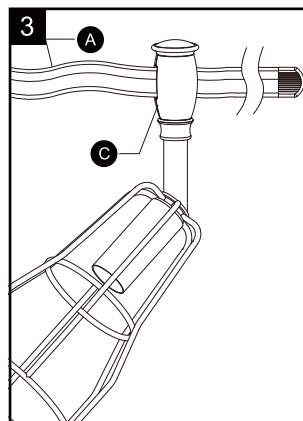


2. Attach the rail adapter of the spot light onto the rail. Close back the movable part of rail adapter over the rail, then restore the caps back to rail adapter. Make certain that the brass clips of the adapter are connected properly with the brass strips.

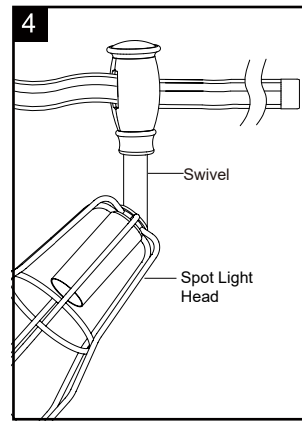
Caution: To ensure the fixture works correctly, make sure the connection between the adapter and the rail is correct. The ground strip on the rail is always facing to the ceiling.



3. Follow steps 1~2 to install the other the rail adapters of spot light onto the rail.

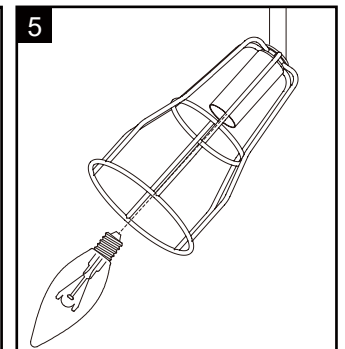


4. Adjust the spot light head to a desired position by holding the swivel and rotating the spot light head.



5. Install bulbs.

See relamping label at socket area or packaging for maximum wattage allowed.



CAUTION – RISK OF FIRE, Incandescent Lamp, Bulb type G or B E12 base, maximum 60W x 5 or Self-ballasted Light Emitting Diode (LED) Lamp, maximum 25W x 5 (not included).

Turn on the power at fuse or circuit box

The following parts are available for reorder if damaged or missing.

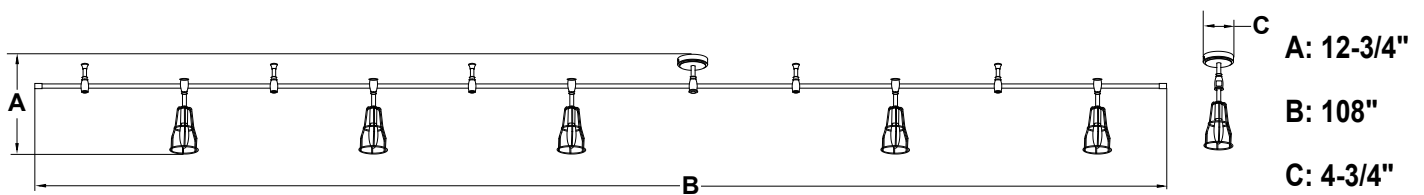
Spare Parts List:

Crossbar (A) Mounting Screw (B) Wire Connector (C)

Canopy (D) Anchor (E) Drywall Screw (F)

Spot Light Head
6264TH

Assembly Kit
6263MM (1 SET)



1 Year Warranty

Vaxcel warrants all of our products against defects in workmanship and finishes for one year following the date of shipment.

Exclusions: This warranty does not include the failure of products from extreme acts of nature; environmental conditions not suited for the products intended use; operation in temperatures outside of the range specified in the instruction manual; usage with improper power supply, power surges or dips. For coastal locations, some corrosion is considered normal for the environment.

Vaxcel reserves the right to repair, replace or issue a credit for any properly installed product, provided it is returned per RMA instruction. This warranty is limited to the cost of the product only and does not extend to transportation, installation or replacement costs.

How can warranty service be obtained?
info@vaxcel.com
 1-800-482-9235