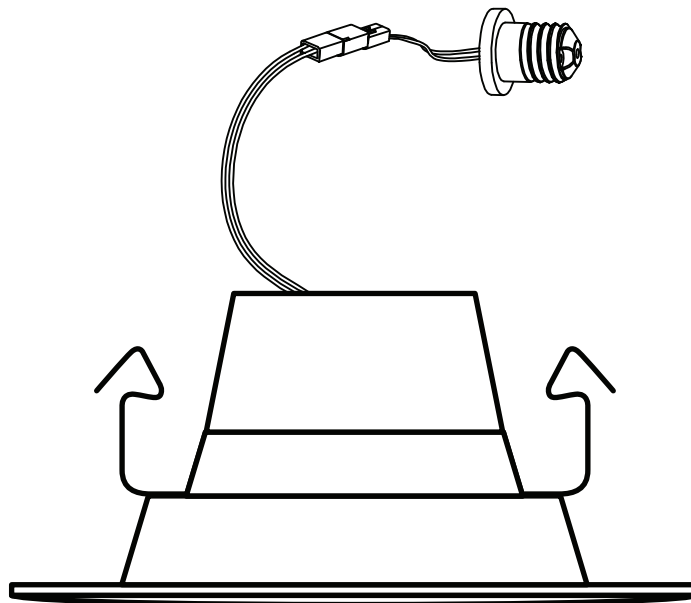


4 INCH LED RECESSED DOWNLIGHT 5 WHITE COLOR TEMPERATURE SELECT

IMPORTANT SAFETY INSTRUCTIONS AND INSTALLATION GUIDE



Questions, problems, missing parts? Before returning to the store,
call Feit Electric customer service
8 a.m. - 5 p.m., PST, Monday - Friday

1-866-326-BULB (2852)
WWW.FEIT.COM



We appreciate the trust and confidence you have placed in Feit Electric through the purchase of this product. We strive to continually create quality products designed to enhance your home. Visit us online to see our full line of products available for your home improvement needs. Thank you for choosing Feit Electric.

Table of Contents

| | |
|--|---|
| Safety Information | 2 |
| FCC Statement | 2 |
| Warranty | 2 |
| Pre-Assembly | 3 |
| Housing Dimensions and Lighting Distribution | 3 |
| Choose A White Color Setting | 3 |
| Choose Your Light Switch | 3 |
| Installation with Socket Adapter | 4 |
| Installation without Socket Adapter | 4 |

Safety Information

For your safety:

- Do not make or alter any open holes in an enclosure of wiring or electrical components during product installation.
- THE RETROFIT KIT IS ACCEPTED AS A COMPONENT OF A LUMINAIRE WHERE THE SUITABILITY OF THE COMBINATION SHALL BE DETERMINED BY CSA OR AUTHORITIES HAVING JURISDICTION.**
- THIS DEVICE IS NOT INTENDED FOR USE WITH EMERGENCY EXITS.**
- DANGER - RISK OF SHOCK: DISCONNECT POWER BEFORE INSTALLATION.**
- CAN BE USED IN SHALLOW HOUSINGS.**
- This fixture is designed for use in a circuit protected by a fuse or circuit breaker.
- Account for small parts and discard packing material, as these may be hazardous to children.
- Suitable for Type IC Housings
- Suitable for Type Non-IC Housings

Product Specifications

- 120VAC, 60Hz, 11.1 Watts
- Dimmable
- Suitable for Wet Locations



WARNING: RISK OF FIRE OR ELECTRIC SHOCK. LED Retrofit Kit installation requires knowledge of luminaire electrical systems. If not qualified, do not attempt installation. Contact a qualified electrician.



WARNING: RISK OF FIRE OR ELECTRIC SHOCK: Install this product only in luminaires that have the construction features and dimensions shown in this manual.



WARNING: To prevent wiring damage or abrasion, do not expose wiring to edges of sheet metal or other sharp objects.



CAUTION: To avoid possible electrical shock, be sure that power supply is turned off at fuse box or circuit breaker before installing or servicing fixture. LED recessed downlights conversion: for use only with products described and installed in accordance with the instructions provided with this recessed downlight.

FCC STATEMENT

Supplier's Declaration of Conformity:

47 CFR § 2.1077 Compliance Information

Responsible Party: Feit Electric Company

4901 Gregg Road, Pico Rivera, CA 90660, USA

Unique Identifier: LEDR4XH0/6WYCA/4

This device complies with part 15 of the FCC Rules. Operation is subject to the following two conditions: (1) This device may not cause harmful interference, and (2) this device must accept any interference received, including interference that may cause undesired operation. Note: This equipment has been tested and found to comply with the limits for a Class B digital device, pursuant to part 15 of the FCC Rules. These limits are designed to provide reasonable protection against harmful interference in a residential installation. This equipment generates, uses and can radiate radio frequency energy and, if not installed and used in accordance with the instructions, may cause harmful interference to radio communications. However, there is no guarantee that interference will not occur in a particular installation. If this equipment does cause harmful interference to radio or television reception, which can be determined by turning the equipment off and on, the user is encouraged to try to correct the interference by one or more of the following measures: Reorient or relocate the receiving antenna. Increase the separation between the equipment and receiver. Connect the equipment into an outlet on a circuit different from that to which the receiver is connected. Consult the dealer or an experienced radio/TV technician for help. Any changes or modifications not expressly approved by the manufacturer could void the user's authority to operate the equipment.

GENERAL: All electrical connections must be in accordance with local and National Electrical Code (N.E.C.) standards. If you are unfamiliar with proper electrical wiring connections obtain the services of a certified electrician.

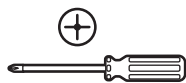
Remove the fixture and the mounting package from the box and make sure that no parts are missing by referencing the illustrations on the installation instructions.

Limited Warranty

This product is warranted to be free from defects in workmanship and materials for up to 5 years from date of purchase. If the product fails within the warranty period, please contact Feit Electric at info@feit.com or visit feit.com/contact-us for instructions on replacement or refund. REPLACEMENT OR REFUND IS YOUR SOLE REMEDY. EXCEPT TO THE EXTENT PROHIBITED BY APPLICABLE LAW, ANY IMPLIED WARRANTIES ARE LIMITED IN DURATION TO THE DURATION OF THIS WARRANTY. LIABILITY FOR INCIDENTAL OR CONSEQUENTIAL DAMAGES IS HEREBY EXPRESSLY EXCLUDED. Some states and provinces do not allow the exclusion of incidental or consequential damages, so the above limitation or exclusion may not apply to you. This warranty gives you specific legal rights, and you may also have other rights which vary from state to state or province to province.

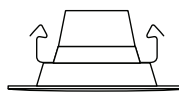
Pre-Assembly

TOOLS REQUIRED (NOT INCLUDED)



Phillips Screwdriver

INCLUDED IN BOX



4 Recessed Downlight Trim



4 Medium Base (E26) Socket Adapter

Housing Dimensions and Lighting Distribution

MINIMUM RECESSED HOUSING DIMENSIONS:

4 inch (102mm) DIA X 5.5 inch (140mm) HEIGHT

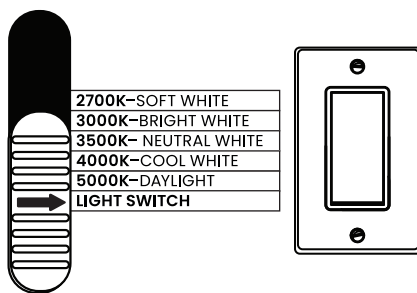
| Distance | Center Beam (Foot Candles) | Beam Diameter |
|-------------------|----------------------------|---------------------------------------|
| 3 ft. | 15 | 7.5 ft. |
| 5 ft. | 5.4 | 12.5 ft. |
| 8 ft. | 2.1 | 20.1 ft. |
| 15 ft. | 0.6 | 37.7 ft. |
| Beam Angle = 100° | | Candela (CD) @ Center Beam (CB) : 390 |

Choose A White Color Setting

Change the mood anytime.

Select SWITCH on the fixture before installation, then use your existing wall switch to toggle through the different shades of white.

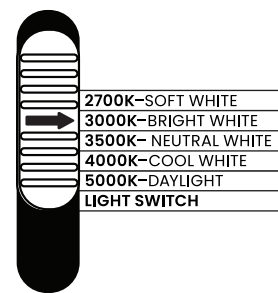
- Set the slide switch on the back of the fixture to SWITCH.
- Toggle your light switch ON and OFF within 0.5-3 seconds to cycle through the five different color temperatures.
- If the fixture is left OFF for over 10 seconds then turned ON, the fixture will remember the last color temperature selected and will display that color when turned on again.
- The reset function is used when using multiple Color Selectable lighting products operating from the same light switch. In the event that multiple fixtures are not displaying the same color at the same time, the fixtures must be RESET using your existing light switch. Simply toggle the wall switch ON and OFF 7 times, leaving it in the ON position for 1 second intervals. With the fixture in the ON position, toggle the wall switch OFF then ON, leaving it ON for 1 second, then OFF then ON, leaving it ON for 1 second. Repeat 7 times. All fixtures on the same light switch will reset to the default color temperature (2700K).



or

Choose your favorite light.

Set your preferred shade of white from an integrated switch on the fixture before installation.



Installation with Socket Adapter

1. Turning Off The Power

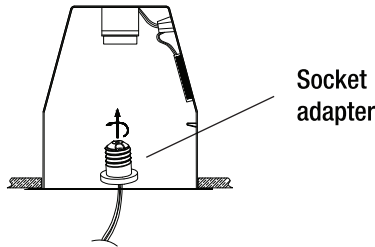
Turn OFF the power at the switch and fusebox or circuit breaker box.

2. Removing Existing Trim

Remove the existing trim if present in the recessing housing.

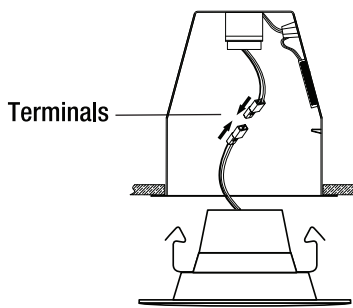
3. Installing Screw Base

Install the medium base (E26) socket adapter into socket.



4. Connecting the Terminals

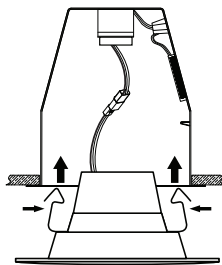
Connect the orange connectors (terminals).



NOTE: Select your preferred white color by moving the switch on the back of the trim prior to connection.

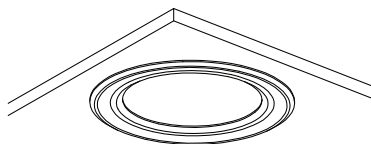
5. Inserting the Clips

Squeeze the clips in and gently push the fixture into place.



6. Pushing the Fixture into Place

Gently push up on the trim so that the clips expand and lift the trim into place.



Installation Without Socket Adapter (Only if Existing Recessed Fixture has Orange Connectors)

1. Turning Off The Power

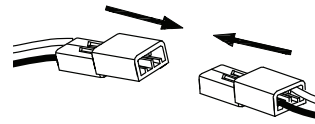
Turn OFF the power at the switch and fusebox or circuit breaker box.

2. Removing Existing Trim

Remove the existing trim if present in the recessing housing.

3. Connecting the Terminals

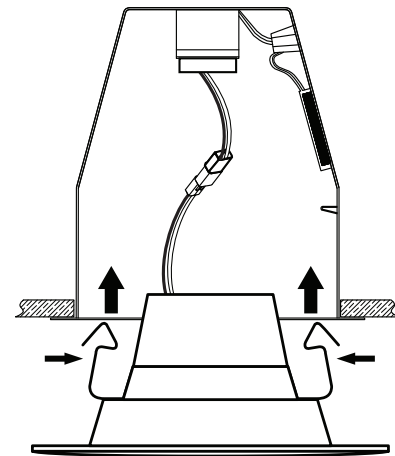
Connect the orange connectors (terminals) to each other (your existing luminaire must contain orange connectors). Do not use the medium base (E26) socket adapter in this installation.



NOTE: Select your preferred white color by moving the switch on the back of the trim prior to connection.

4. Inserting the Clips

Squeeze the clips in and gently push the fixture into place.



5. Pushing the Fixture into Place

Gently push up on the trim so that the clips expand and lift the trim into place.

