

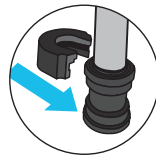
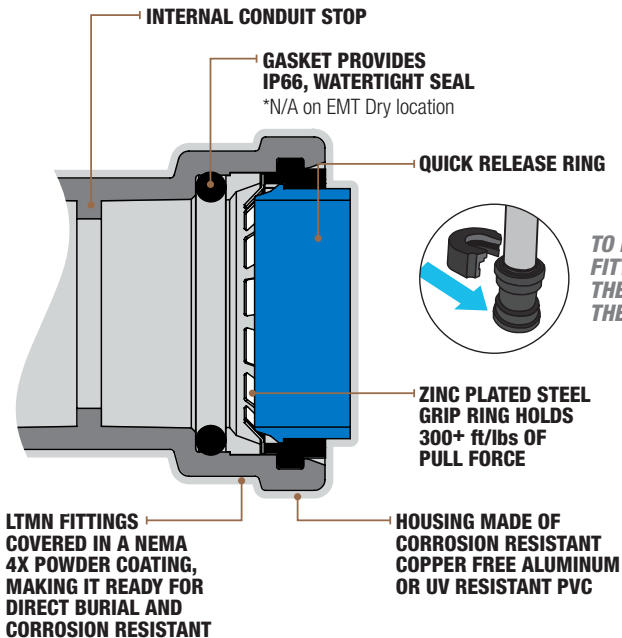
LTNM MALE ADAPTERS

1/2" – 1"

Southwire[®] SIMPush[™] LTNM male adapters are used in dry or wet locations to connect the end of UL-approved Type B LTNM conduit to boxes. Removable and reusable with SIMPush[™] removal tool.

FEATURES:

- Durable PVC construction
- PVC internal stiffener for LTNM only
- Internally coated with lubricating grease
- Tested to 100 removal cycles for reuse
- Locking teeth are constructed from zinc-plated steel
- Includes zinc-plated steel lock nut



TO REMOVE THE SIMPush[™] FITTING, SIMPLY SLIDE THE REMOVAL TOOL ONTO THE COLLAR AND PULL



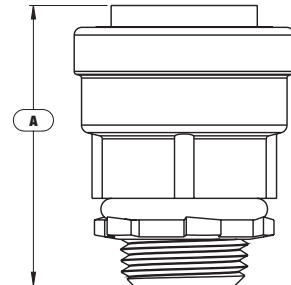
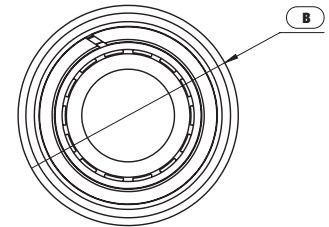
CERTIFICATIONS/RATINGS:

NEMA FB RATED (4X)

E-FILE #: E474447



PVMA050, PVMA075, PVMA100



Stock #	Model #	Trade Size	Quantity Per Box	H (in.) A	W (in.) B	L (in.) B	Associated Removal Tool Model #	Removal Tool Included
CONTRACTOR PACK								
67599902	LTNM-BC-050WT	1/2"	35	1.797	1.425	1.425	PLT-RT-1P	YES
67600002	LTNM-BC-075WT	3/4"	30	1.836	1.653	1.653	PLT-RT-1P	YES
67600102	LTNM-BC-100WT	1"	20	2.2	1.929	1.929	PLT-RT-100	YES

Project Name:
Contractor:
Address: