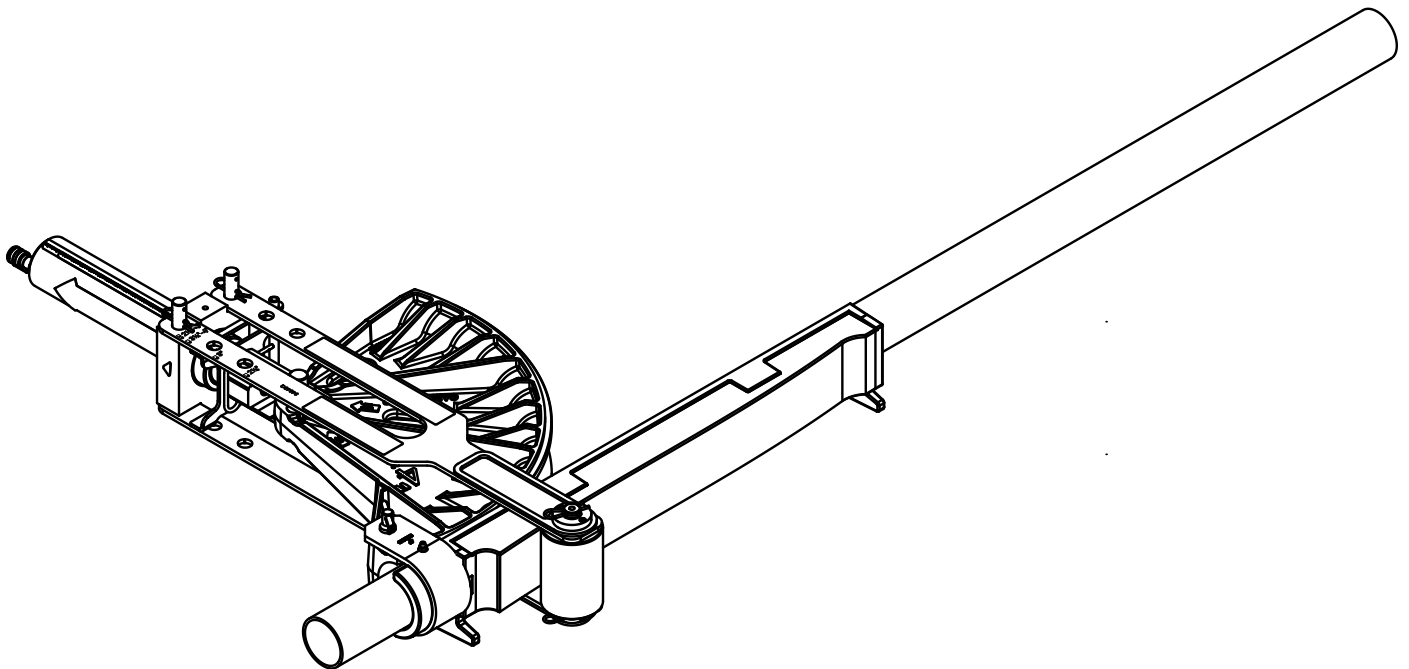


# INSTRUCTION MANUAL



Español.....27-52  
Français.....53-78

## 881GX Cam Track® Hydraulic Bender



**Read and understand** all of the instructions and safety information in this manual before operating or servicing this tool.

**KEEP THIS MANUAL**

## Table of Contents

Safety Symbols Key .....3  
General Safety Warnings.....4  
Tool Specific Safety Information.....5  
Greenlee Contact Information .....5  
Tool Description.....6  
Specifications .....6  
Tool Identification .....7  
Decals & Locations.....8  
Pre-Operation Inspection .....9  
Tool Set-Up & Operation ..... 10-13  
Calculating Ram Travel for Bend Angle.....14  
Bending Basics ..... 15-19  
Special Bending Tables ..... 20-23  
Troubleshooting.....24  
Storage & Transportation .....25  
Cleaning .....25  
Repair Kit and Accessories .....26  
Service.....26  
Disposal.....26

***KEEP THIS MANUAL***

## Safety Symbols Key

In this operator's manual and on the product, safety symbols and signal words are used to communicate important safety information. This section is provided to improve understanding of these signal words and symbols.



This is the safety alert symbol. It is used to alert you to potential personal injury hazards. Obey all safety messages that follow this symbol to avoid possible injury or death.

### **DANGER**

indicates a hazardous situation which, if not avoided, **WILL** result in death or serious injury.

### **WARNING**

indicates a hazardous situation which, if not avoided, **COULD** result in death or serious injury.

### **CAUTION**

indicates hazards or unsafe practices which, if not avoided, **MAY** result in injury or property damage.



This symbol means read the operator's manual carefully before using the equipment. The operator's manual contains important information on the safe and proper operation of the equipment.



This symbol means always wear safety glasses with side shields or goggles when handling or using this equipment to reduce the risk of eye injury.



This symbol means always wear safety footwear to reduce the risk of feet striking or being struck by objects or being in contact with thermal or chemical materials.



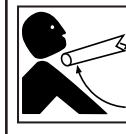
Always wear gloves when handling or using this equipment to reduce the risk of injury.



This symbol indicates the risk of hands, fingers or other body parts being crushed.



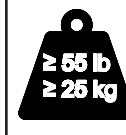
This symbol indicates the risk of components breaking free and striking nearby personnel.



This symbol indicates the risk of striking injuries from moving parts of the product.



This symbol indicates the risk of pressurized fluid directed at hand or body parts, causing skin puncture and injection injuries.



This symbol indicates that the carry case (or equipment) weight is more than 55 lbs. (25 kg), use proper lifting technique to reduce the risk of injury.

## General Safety Warnings

### **WARNING**



Safety is essential in the use and maintenance of Greenlee tools and equipment. This instruction manual and any markings on the tool provide information for avoiding hazards and unsafe practices related to the use of this tool.

Read all safety warnings, instructions, illustrations, and specifications provided with this tool. Failure to follow all instructions listed below may result in serious injury.

#### **SAVE ALL WARNINGS AND INSTRUCTIONS FOR FUTURE REFERENCE.**

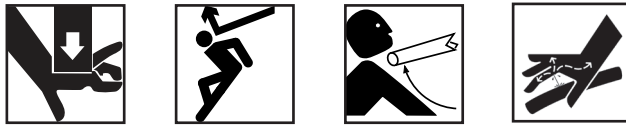
- **Use personal protective equipment (PPE).** Always wear eye protection. Protective equipment used for appropriate conditions will reduce personal injuries.
- **Use this tool for the manufacturer's intended purpose only.** Use other than what is instructed in this manual could result in a hazardous situation.
- **One person must control the work process and machine operation.** Only the operator should be in the work area when the machine is operating. This helps reduce the risk of injury.
- **Keep handles and grasping surfaces dry, clean, and free from oil and grease.** Slippery handles and grasping surfaces do not allow for safe handling and control of the tool in unexpected situations.
- **Some parts and accessories of this tool are heavy.** Use proper lifting techniques to reduce the risk of injury.
- **Stay alert, watch what you are doing and use common sense when operating this tool.** Do not use this tool while you are tired or under the influence of drugs, alcohol, or medication. A moment of inattention while operating power tools may result in serious personal injury.
- **Keep bystanders a safe distance from the work area.** Additional people close to the operator increases the risk of injury to themselves and the operator from distraction or interaction with equipment.

- **Do not let familiarity gained from frequent use of tools allow you to become complacent and ignore tool safety principles.** A careless action can cause severe injury within a fraction of a second.
- **Do not overreach.** Always keep proper footing and balance. This enables better control of the tool in unexpected situations.
- **Dress properly.** Do not wear loose clothing or jewelry. Keep your hair, clothing, and gloves away from moving parts. Loose clothes, jewelry or long hair can be caught in moving parts.
- **Store idle tools out of the reach of children and do not allow persons unfamiliar with the tool or these instructions to operate the tool.** These tools are dangerous in the hands of untrained users.
- **Maintain all equipment and accessories.** Check for misalignment or binding of moving parts, breakage of parts and any other condition that may affect the operation. If damaged, repair before use. Many accidents are caused by poorly maintained equipment and accessories.
- **Keep work area clean and well lit.** Cluttered or dark areas invite accidents.
- **Daily before use, inspect the tool and correct any problems before using to reduce the risk of injury and prevent product damage.** If any problems are found, do not use this tool until the problems have been fixed, failure to follow these steps increases the risk of injury.
- **Proper set up is essential to minimize risk during use.** Set up the tool and work area according to these procedures to reduce the risk of injury.
- **Follow instructions from this manual when repairing this tool and use only identical replacement parts.** Use of unauthorized parts or failure to follow instructions increases the risk of injury or damage to the tool.
- **Tool service must be performed only by qualified repair personnel.** Service or maintenance performed by unqualified personnel could result in a risk of injury.



## Tool Specific Safety Information

### ⚠ WARNING



#### Before operating this tool, read and understand:

- This operator's manual
- The instructions for any other equipment or material used with this tool
- Markings on the tool
- Required work-site safety procedures

**Failure to follow all instructions and warnings may result in serious injury.**

#### SAVE ALL WARNINGS AND INSTRUCTIONS FOR FUTURE REFERENCE.

- **Keep your fingers, hands, and other body parts away from bender, attachments, conduit and moving parts.** Body parts can be struck, crushed, fractured, or amputated if they become caught between the attachment or between these components and any other object.
- **Do not bend Aluminum EMT.** Conduit may break causing serious injury.
- **Do not stand in a direct line with the follow bar, hydraulic ram or conduit while bending.** The bender is under high pressure during use and has the potential to break and throw parts, causing serious injury.
- **Do not alter this product in any manner or attach any tools that are not specified in this manual.** Use of this bender with accessories and equipment different from those specified could result in a hazardous situation.
- **High pressure oil easily punctures skin, causing serious injury, gangrene, or death.** Do not use your hands to check for leaks. Stay away from pressurized components. Depressurize hydraulic system before touching the hose/ attachments. If injured, seek medical help immediately to remove oil.
- **Use only Greenlee hoses, attachments, and accessories in good operating condition with proper ratings for the tool.** Do not alter products from original design, worn, damaged or improperly rated equipment can fail and cause serious personal injury.
- **Use proper combination of accessories for the specific conduit size.** Bends will be incorrect and injury or damage to the tool could result.
- **Use the correct tool and accessories for your application.** The correct tool will do the job better

and safer at the rate for which it was designed. Use of the tool for operations different from those intended can result in a hazardous situation.

- **Do not modify this tool.** Modifying the tool in any manner may result in personal injury and damage to the tool.
- **Do not attempt to open the tool.** It contains no user-serviceable parts.

## Greenlee Contact Information

If you have any questions, need to arrange service or purchase parts or accessories for this Greenlee/HDE product: Contact your local Greenlee distributor or Greenlee's Customer Service Center

Additional copies of this manual are available for download at [www.greenlee.com](http://www.greenlee.com)

Greenlee Customer Service

USA: 1-800-435-0786 | Canada: 800-435-0786

International: 1-815-397-7070

[GRNCustomerService@emerson.com](mailto:GRNCustomerService@emerson.com)

Shipping address:

Greenlee Factory Service Center

4411 Boeing Dr., Rockford, IL 61109

## Tool Description

The 881GX Cam Track® Hydraulic Bender is a bender that can be used to bend 2-1/2”-4” Rigid, IMC and EMT conduit. This bender can be mounted and operated on the Greenlee Mobile Bending Table (MBT) or operated on the floor. See catalog for available configurations.

### Features

- Dedicated 90° bending shoe groups containing a shoe, follow bar and saddle.
- Extended yoke to reduce time changing accessories.
- Lighter follow bars to optimize user ergonomics.
- Spring pins to reduce the amount of hitch pins used.
- Bending tables

## Specifications

**Bending Capabilities:** ..... 2-1/2”, 3”, 3-1/2”, and 4” Steel Rigid, IMC, EMT  
 2-1/2”, 3”, 3-1/2”, and 4” Aluminum Rigid  
 2-1/2” and 3” Stainless Steel Rigid  
 2-1/2”, 3”, 3-1/2”, and 4” Schedule 40 pipe  
 Do not use to bend Aluminum EMT

**Storage Box Dimensions (H x L x W):** ..... 25 in. x 60 in. x 24 in. (63.5cm x 152.4cm x 60.96cm)

**Bender Assembly and Accessories in Storage Box Weight:** ..... 882 lbs. (400 kg)

**Bending Shoe Weights\*:** ..... 2 1/2” – 35 lb. (16kg)  
 3” – 54 lb. (25kg)  
 3 1/2” – 71 lb. (32kg)  
 4” – 87 lb. (39kg)

**Follow Bar Weights\*:** ..... 2 1/2” – 22 lb. (10kg)  
 3” – 30 lb. (14kg)  
 3 1/2” – 47 lb. (21kg)  
 4” – 63 lb. (29kg)

\*Model Estimate

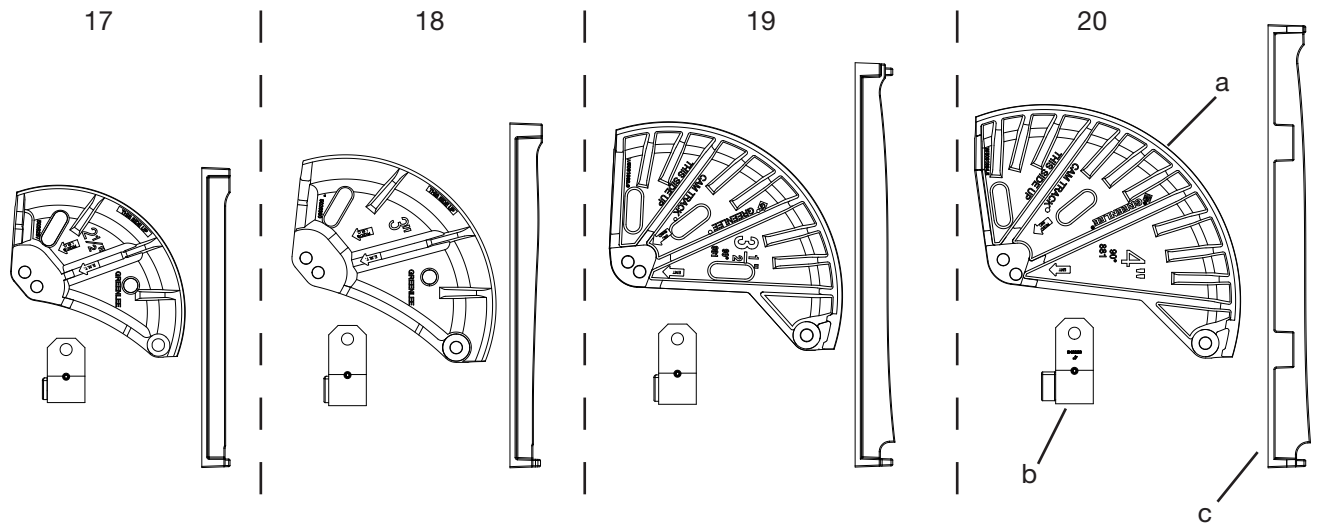
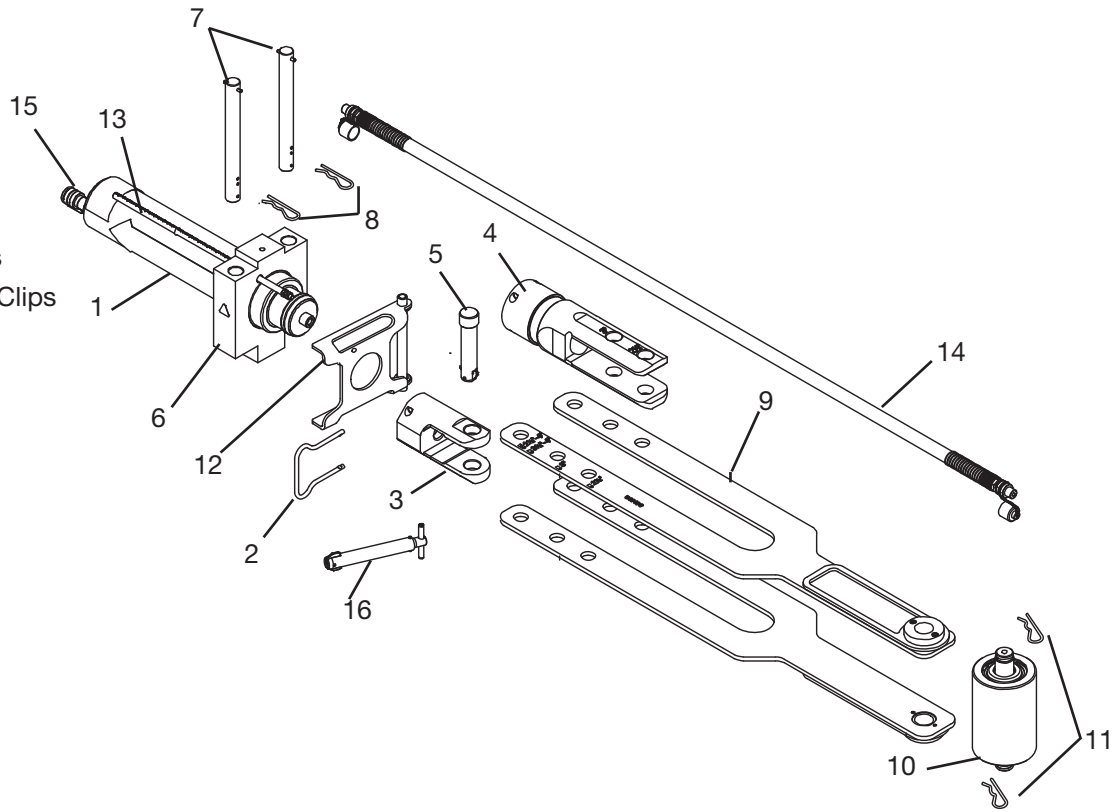
**Recommended Hose & Coupler:** ..... Greenlee CAT 11289

**Pump:**.....Greenlee hydraulic pump capable of developing 10,000 psi with a usable oil volume of 6 quarts or more, such as the Greenlee 980 series pumps.

**All specifications are nominal and may change as design improvements occur.**

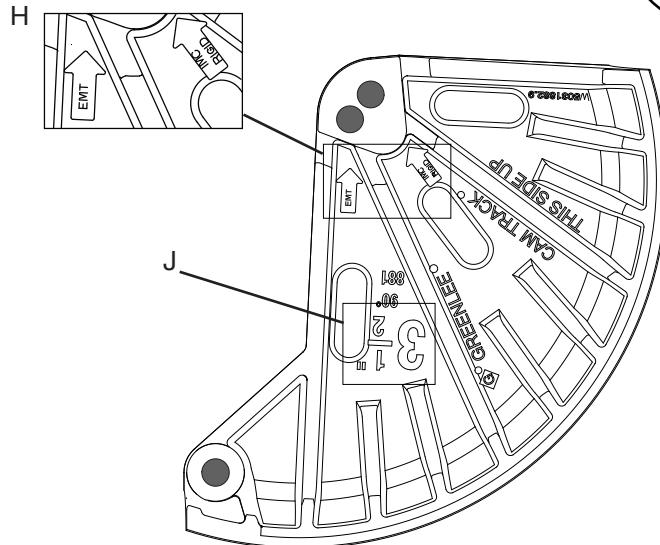
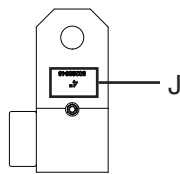
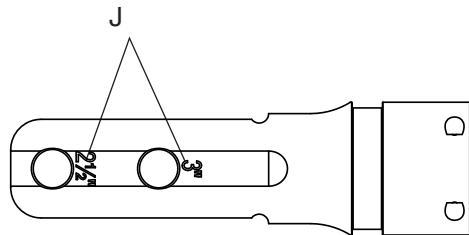
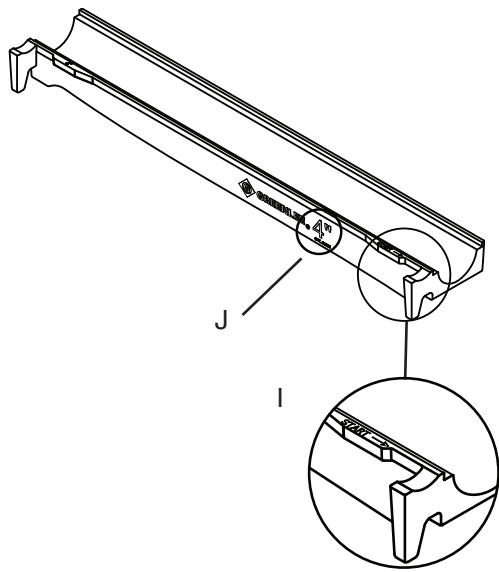
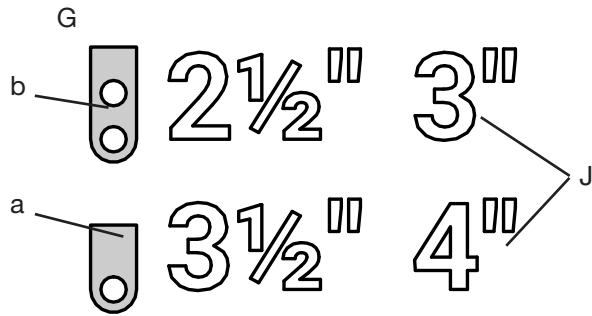
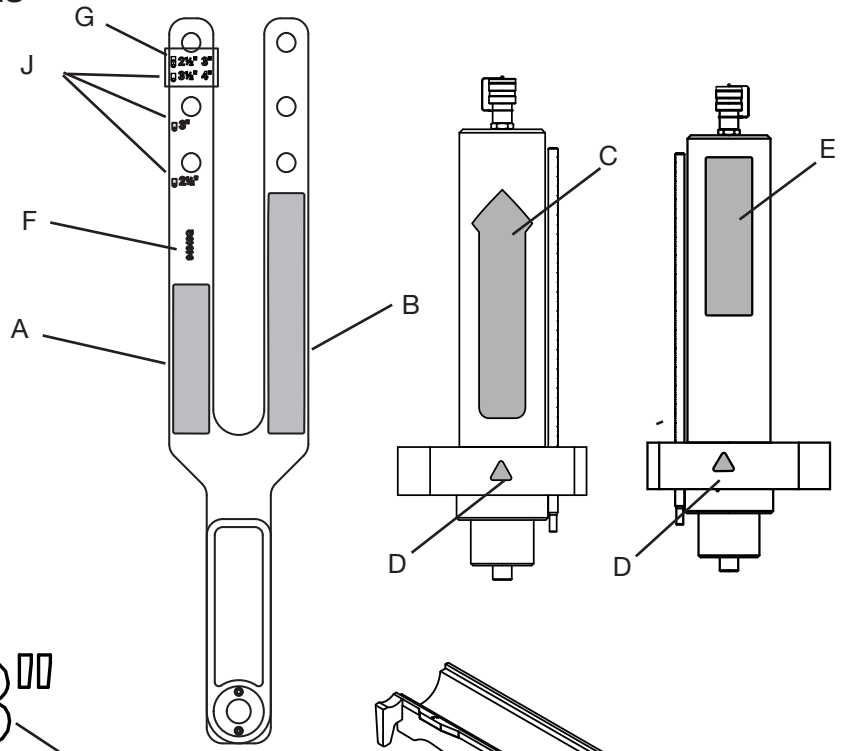
**Tool Identification**

1. Ram
2. Spring Clip
3. Yoke
4. Extended Yoke
5. Yoke Spring Pin
6. Cylinder Block
7. Cylinder Block Hitch Pins
8. Cylinder Block Hitch Pin Clips
9. Connecting Forks
10. Roller Unit
11. Roller Hitch Pin Clips
12. Piston Support
13. Ram Scale
14. Hydraulic Hose
15. Hydraulic Coupler
16. Saddle Spring Pin
17. 2-1/2 in. Shoe Group
18. 3 in. Shoe Group
19. 3-1/2 in. Shoe Group
20. 4 in. Shoe Group
  - a. Bending Shoe
  - b. Saddle
  - c. Follow Bar



**Decals, Markings, & Locations**

- A. Ram Travel Tables Decal
- B. Bending Mark Tables Decal
- C. Greenlee Logo Decal
- D. Crush Hazard Decal
- E. Warning Decal
- F. Connecting Fork Catalog Number
- G. Cylinder Block Position Marks
  - a. Yoke Mark
  - b. Extended Yoke Mark
- H. Shoe Conduit Type Mark
- I. Follow Bar "START" Mark
- J. Conduit Size Identification Marks



## Pre-Operation Inspection

### ⚠ WARNING



- **Daily before use, inspect the tool and correct any problems before using to reduce the risk of injury and prevent product damage.** If any problems are found, do not use this tool until the problems have been fixed, failure to follow these steps increases the risk of injury.
- **High pressure oil easily punctures skin, causing serious injury, gangrene, or death. Do not use hands to check for leaks. Stay away from pressurized components.** Depressurize hydraulic system before disconnecting the hose/ attachments or servicing. If injured, seek medical help immediately to remove oil.

1. Depressurize and disconnect the pump before inspecting the bender. Visually inspect bender piston seal, fittings, and hose connections for leaking hydraulic fluid. If fluid is present, do not use the bender and send it in for service.
2. Clean any oil, grease or dirt from the bender parts and accessories. This aids inspection and helps prevent the machine or control from slipping from your grip. Clean and maintain per maintenance instructions.
3. Inspect tool for wear and damage before use. Do not use if any parts are worn, corroded, or cracked.
4. Check for proper assembly and completeness, do not use if there are missing or misaligned parts. A damaged, worn or improperly assembled item could break and result in flying debris.
5. Check for the presence and condition of warnings and decals.
6. Inspect any other equipment and accessories in the bending system according to their instruction manuals.

If using the extended yoke, inspect the ram and confirm the piston support (Fig. 1) is installed. Do not bend with the extended yoke if the piston support is not installed. An unsupported ram can shift during bending resulting in poor bends and damage to the tool that increases the risk of parts breaking and causing injury.

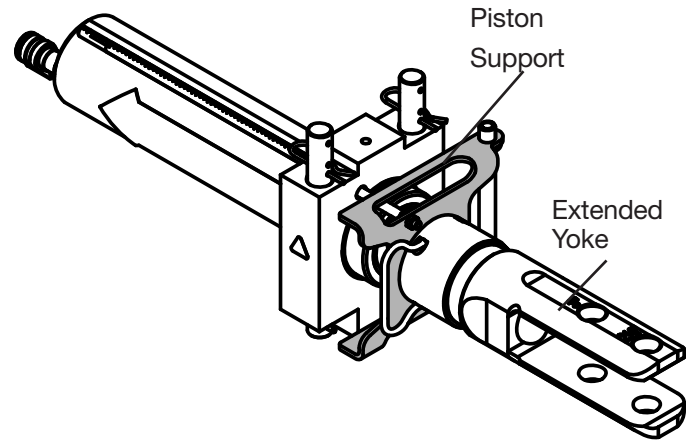


Figure 1

If any problems are found, do not use until problems have been fixed. Failure to follow these instructions increases the risk of injury.

## Tool Set-Up\* & Operation

### ⚠ WARNING



- **Do not stand in a direct line with the follow bar, hydraulic ram or conduit while bending.** The bender is under high pressure during use and has the potential to break and throw parts, causing serious injury.
- **Keep your fingers, hands, and other body parts away from bender, attachments, conduit and moving parts.** Body parts can be struck, crushed, fractured, or amputated if they become caught between the attachment or between these components and any other object.
- **Do not bend Aluminum EMT.** Conduit may break causing serious injury.
- **Some parts and accessories of this tool are heavy.** Use proper lifting techniques to reduce the risk of injury.
- **Use proper combination of accessories for the specific conduit size.** Bends will be incorrect and injury or damage to the tool could result.
- **Proper set up is essential to minimize risk during use.** Set up the tool and work area according to these procedures to reduce the risk of injury.
- **One person must control the work process and machine operation.** Only the operator should be in the work area when the machine is operating. This helps reduce the risk of injury.
- **Stay alert, watch what you are doing and use common sense when operating the bender.** Do not use the bender while you are tired or under the influence of drugs, alcohol, or medication. A moment of inattention while operating power tools may result in serious personal injury.
- **High pressure oil easily punctures skin, causing serious injury, gangrene, or death. Do not use hands to check for leaks. Stay away from pressurized components.** Depressurize hydraulic system before touching the hose/ attachments. If injured, seek medical help immediately to remove oil.

When the 881 bending is to be operated of the floor, follow these steps for set up and operation. See **Mobile Bending Table for 881 Hydraulic Bender** instruction manual for MBT mounting and operation information.

1. Check work area for:
  - Adequate lighting
  - A clear, level, stable and dry place for all equipment and space for the operator to work comfortably and according to tool operating instructions to reduce the risk of injury.
  - A clearly marked or easily recognizable work site to prevent people from coming into the area while the tool is being used. Barriers or cones around work sites are ways to do this.
2. Inspect the work to be done. Determine what shoe, follow bar, and saddle are needed for the conduit size and type. Not using the correct shoe, follow bar and saddle produces poor quality bends and increases the risk of tool damage and injury.
3. Confirm all related equipment has been inspected.
4. Attach the roller unit to the single prong ends of the connecting forks, with decals and markings facing out, and secure with the hitch pin clips. (Fig. 2)

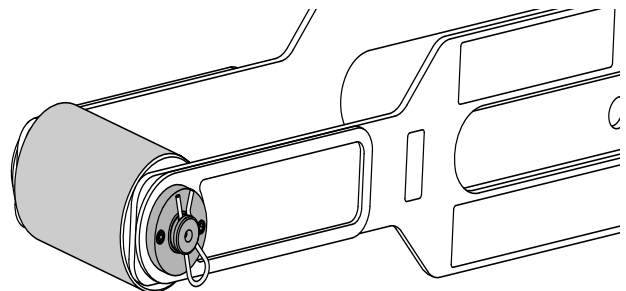


Figure 2

5. Position the cylinder block so the ram scale is toward the floor then slide the ram in between the connecting forks. (Fig. 3)

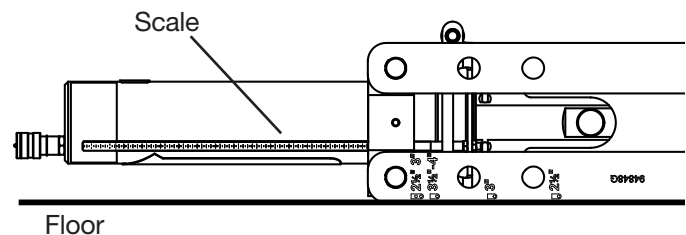


Figure 3

6. Line up the cylinder block holes with the appropriate position for the conduit size and yoke. (Fig.4) Pay attention to the marks on the connecting forks. If the cylinder block is in the wrong position, the ram could over extend and cause tool damage.

- The yoke is used for 2-1/2" - 4" conduit and the cylinder block must be located at the position marked for the conduit size.
- The extended yoke is only used for 2-1/2" and 3" conduit and the cylinder block must be located at the top position.

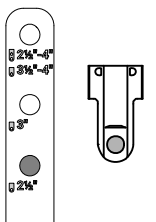
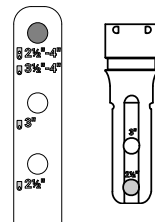
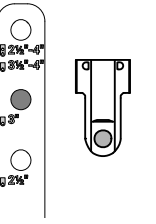
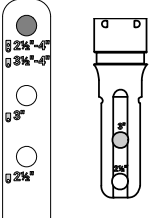
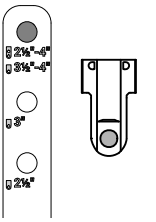
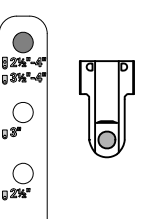
CONDUIT SIZE	CYLINDER BLOCK & YOKE-SHOE CONNECTIONS	
2-1/2"		
3"		
3-1/2"		
4"		

Figure 4

7. Pin the appropriate yoke to the ram piston with the spring clip. (Fig. 5) To bend 3-1/2" and 4" conduit after using the extended yoke, change to the yoke and leave the cylinder block in the top position.

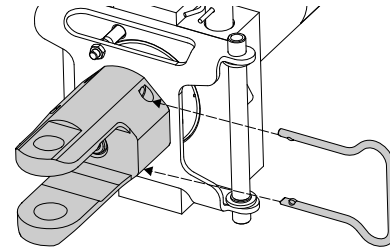


Figure 5

8. Insert the cylinder block hitch from the side where the cylinder block extends out past the connecting forks. (Fig. 6)

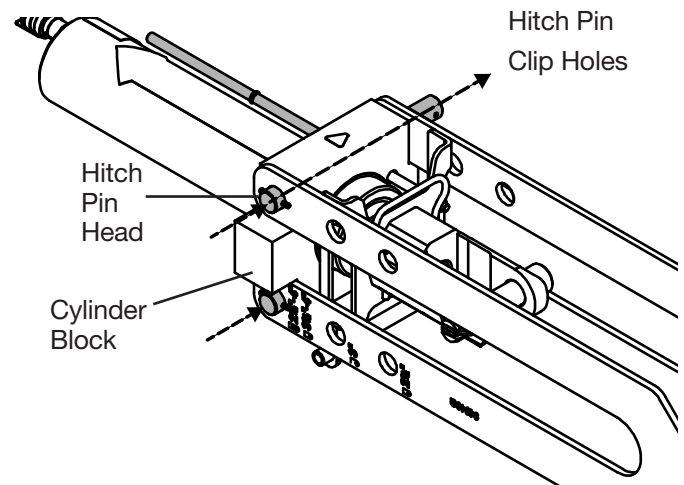


Figure 6

9. While keeping the hitch pin head tight against the connecting fork face, insert the clip in the hole closest to the opposite connecting fork face. Repeat for second pin. (Fig. 7)

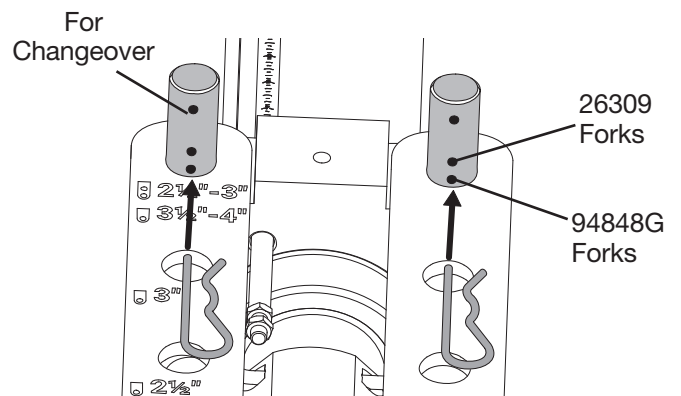


Figure 7



10. Turn the assembled bender onto the cylinder block so the hitch pin clips and ram scale are facing up (Fig. 8). The cylinder block is designed to level out the bender cylinder while bending on the floor.

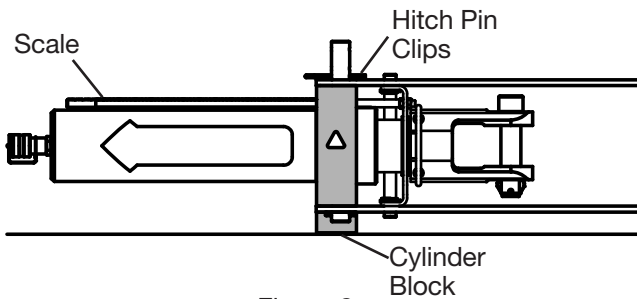


Figure 8

11. Arrange the shoe between the connecting forks so the saddle connection is to the left. Align the yoke with the EMT or IMC/Rigid connection on the shoe depending on the type of conduit to be bent. Insert yoke pin through the yoke and shoe until the toggles fully expand on the other side. (Fig. 9)

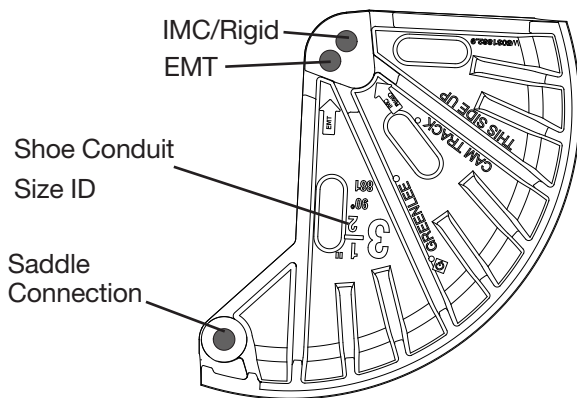


Figure 9

12. With the ears turned toward the ram, insert the "START" end of the follow bar from the right of the connecting forks over the roller. (Fig. 10)

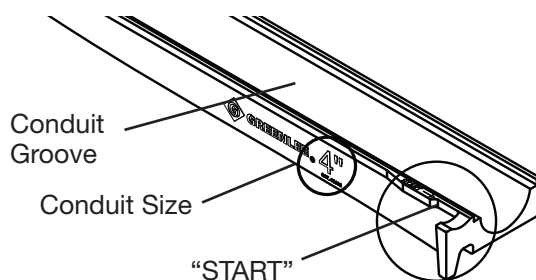


Figure 10

13. Once the "START" end is past the roller, turn the follow bar so that the conduit groove is toward the ram and the follow bar ears touch the ground. (Fig. 11)

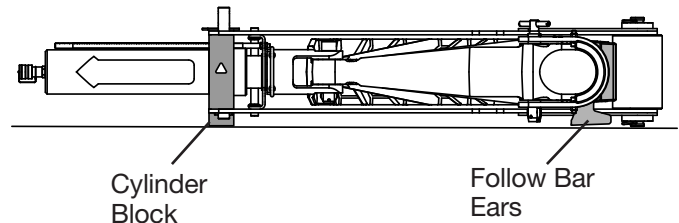


Figure 11

For changeover to other shoe groups, remove cylinder block hitch pin clips, as necessary, and insert into outermost hole of hitch pin (Fig. 7). Lift connecting fork enough to allow the follow bar through.

Return the hitch pin clips to the appropriate holes for bending. Do not bend without the hitch pin clips installed, poor quality bends and tool damage could occur.

14. Prepare the conduit by marking the bends following the instructions in the Bending Basics section of this manual.
15. Check the conduit, shoe and follow bar grooves are clean. Debris on the bending surfaces increase the risk of wrinkling or creasing of conduit and can cause damage to the grooves in the shoe and follow bar.
16. Insert the conduit into the bender. Push the conduit through so the end is past the shoe at least a few inches.
17. Arrange the saddle around the conduit at the front of the shoe with the saddle lip facing away from the follow bar. Insert the Saddle pin all the way through the shoe and saddle holes until the toggles fully expand.
18. Adjust the saddle and shoe so the back edge contacts the follow bar. (Fig. 12)
19. Adjust the conduit so the appropriate bending mark is lined up with the saddle lip. See **Basics of Bending** for further instructions on marking conduit.

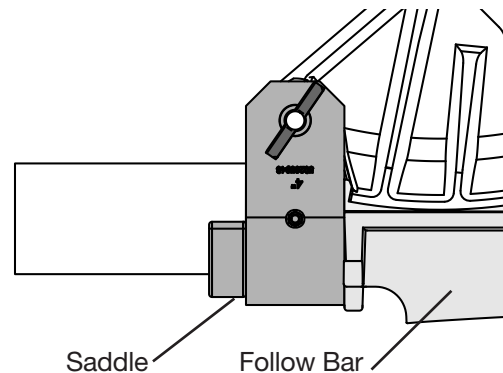


Figure 12



20. Place a Greenlee 900 series hydraulic pump next to the bender on the floor so the front of the pump is facing the operator.
21. Attach the free end of the hose from the ram to the pump coupler, make sure the coupler is screwed tight to ensure proper ram function. Incomplete connections may not allow the ram to retract after the bend is complete.
22. Assume a proper operating position where you are not in the path of the conduit or ram and can clearly see the bender scale and pump. (Fig,14)
23. Snug-up the conduit by advancing the ram according to the pump instructions. The conduit is snugged-up when the shoe, conduit, and follow bar are tight. Stop the pump before the conduit starts to bend.
24. Move the scale's O-ring to Z-Position. See **Calculate Ram Travel** section for equation and tables.
25. Monitor the bending process. Advance the ram to Z-position. The bend is complete when the O-ring reaches the top of the cylinder block. Stay out of the line of the conduit and ram while bender is in motion.
26. When bend is complete, operate the pump, according to its instructions to retract the ram to the starting position for the next bend.
27. Remove the saddle pin, saddle and conduit from bender. Compress the toggles and pull the Yoke and Saddle pins out to disconnect accessories. (Fig. 15)
28. Inspect the finished bend.

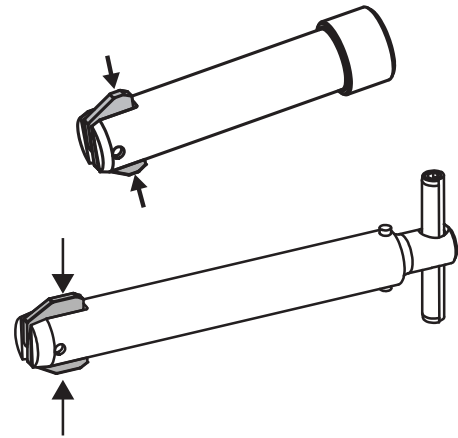


Figure 15

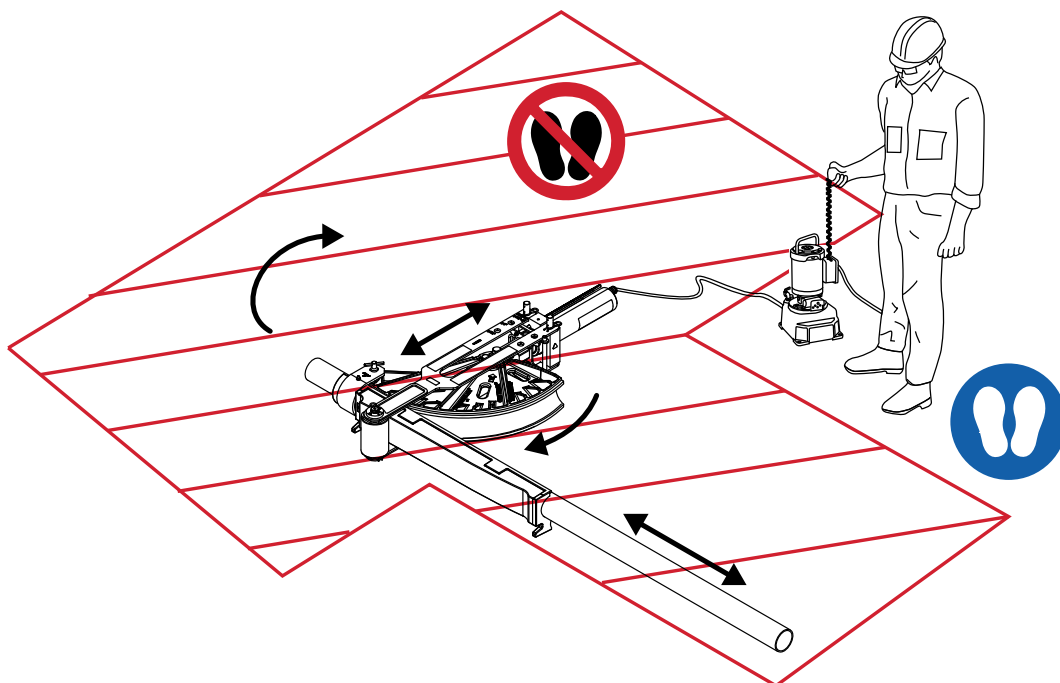


Figure 14

## Calculating Ram Travel for Bend Angle

After the conduit has been snugged up, the ram must travel a particular distance to achieve the desired bend angle (Table 1). A rubber O-ring on the ram scale is used to indicate the position at which the bend angle is achieved. Use the directions below to determine where to place the rubber O-ring on the ram scale.

1. Snug-up bender by advancing ram until shoe, conduit, and follow bar are tight. The conduit should not be able to twist between the saddle and shoe.
2. Calculate  $Z = X + Y$

$Z$  = Stop position on ram scale based on  $X$  and  $Y$ .

$X$  = Scale reading at Snug-Up position.

Find  $X$  by looking where the scale and top of the cylinder block meet.

$Y$  = The Ram Travel from Table 1. This is how far the ram should travel to achieve the desired bend angle for a specific conduit size.

3. Move rubber ring to calculated  $Z$ -Position. (Fig. 16)
4. Advance ram to the  $Z$ -Position. Monitor the bend and stop when the rubber ring touches the top of the cylinder block. (Fig. 17)

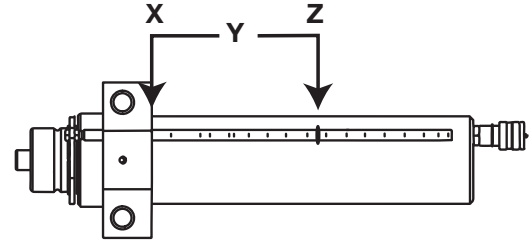


Figure 16

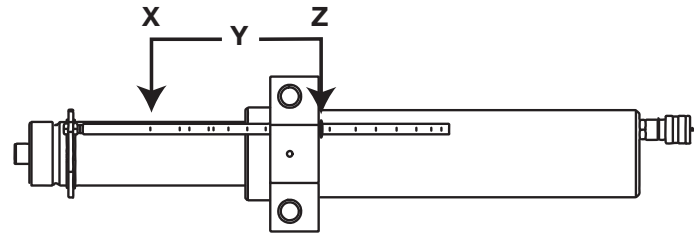


Figure 17

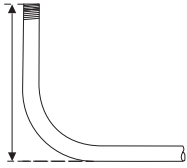
*\*This table shows the distance (Y) the ram must travel to make a bend. These numbers are not the end position located on the scale.*

<b>TABLE 1 RAM TRAVEL* - "Y"</b> (VALUES ARE APPROXIMATE)				
<b>BEND ANGLE</b>	<b>EMT (CONDUIT TRADE SIZE - in.)</b>			
	<b>2-1/2</b>	<b>3</b>	<b>3-1/2</b>	<b>4</b>
<b>10°</b>	13/16	15/16	1	7/8
<b>15°</b>	1-1/16	1-5/16	1-3/8	1-3/8
<b>30°</b>	2	2-7/16	2-3/8	2-7/16
<b>45°</b>	2-15/16	3-11/16	3-3/8	3-5/8
<b>60°</b>	3-13/16	4-13/16	4-3/8	4-7/8
<b>90°</b>	5-5/16	6-13/16	6-11/16	7-1/4
<b>BEND ANGLE</b>	<b>IMC (CONDUIT TRADE SIZE - in.)</b>			
	<b>2-1/2</b>	<b>3</b>	<b>3-1/2</b>	<b>4</b>
<b>10°</b>	1-1/8	1-3/16	1-1/16	1-3/16
<b>15°</b>	1-9/16	1-11/16	1-1/2	1-13/16
<b>30°</b>	2-7/8	3-1/4	3	3-3/16
<b>45°</b>	4-5/16	5	4-3/8	4-13/16
<b>60°</b>	5-13/16	6-3/4	5-13/16	6-7/16
<b>90°</b>	8-1/8	9-5/8	8-13/16	9-11/16
<b>BEND ANGLE</b>	<b>RIGID (CONDUIT TRADE SIZE - in.)</b>			
	<b>2-1/2</b>	<b>3</b>	<b>3-1/2</b>	<b>4</b>
<b>10°</b>	1-1/16	1-3/16	1	1-1/16
<b>15°</b>	1-1/2	1-11/16	1-1/2	1-11/16
<b>30°</b>	2-7/8	3-5/16	2-7/8	3-3/16
<b>45°</b>	4-1/4	5	4-1/4	4-13/16
<b>60°</b>	5-5/8	6-11/16	5-3/4	6-7/16
<b>90°</b>	8-1/8	9-9/16	8-3/4	9-11/16

## Basics of Bending

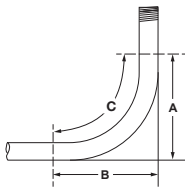
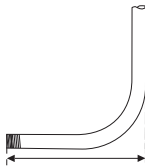
The following drawings, instructions and bending tables are intended to provide the information necessary to set up the most common types of bends. The “Special Bending Tables” at the back of this manual, contain precise measurements used for finding the marks for most common bends. Some types of bends have their own tables that provide numbers for finding the bending marks. Below are some of the most common terms used in bending.

### Glossary



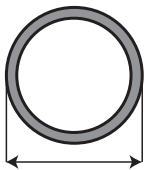
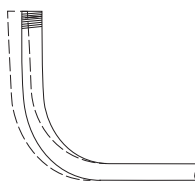
**Stub/Stub-Up/Rise**— The distance from the end of the vertical section of conduit or pipe to the bend; measured from the end to the center line, inside edge, or outside edge of the conduit or pipe.

**Leg Length**— The distance from the end of a horizontal section of conduit or pipe to the bend; measured from the end to the center line, inside edge, or outside edge of the conduit or pipe.



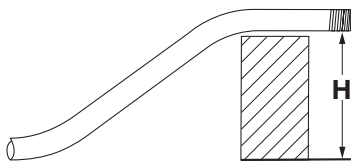
**Gain** - The difference between the right angle distances A & B and the shorter distance C. Because pipe bends in a radius and not at right angles, the length of pipe needed for a bend will not equal the total determined length.

**Springback**— The amount, measured in degrees, that a conduit or pipe tends to straighten after pressure is released on the bender ram. For example, a 90° bend, after pressure is released, will spring back about two degrees – to 88°.

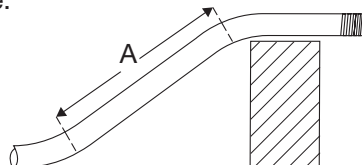


**O.D.**— The size of any piece of conduit or pipe as measured by its outside diameter.

**Height/Depth of Offset** - The distance that the conduit or pipe must be re-routed to avoid an obstruction.



**Center-to-Center Distance**— the distance between the successive bends that make up an offset or a three-bend saddle.



**Snug-up** - The process of securing the conduit between the shoe and saddle by advancing the ram enough to keep the conduit in place but not enough to start bending.

**Ram Travel** - The distance that the ram of a hydraulic bender must move to reach a specific bend angle.

**Developed/Determined Length** - The actual length of the pipe that will be bent.

**Min. Stub Length** - A stub must be equal to or larger than this number to avoid crushing threads and bad quality bends.

**Deduct** - A calculated number to account for gain while bending. This number is specific to the size and type of conduit being bent.

**Bend Angle/Angle of Bend** - The target bend angle .

**Kick** - A bend, usually less than 45° made to change the direction of a section of pipe.

**Center Line** - The imaginary line running through the center of the conduit.

**Bend Radius** - The radius as measured from where the center of the bend is located. This is a fixed number based on the bending shoe.

**Dog Leg Bend/Wow** - A bend, usually no more than 45°, made to change the direction of a section of pipe not on the same plane.

**Large Sweep Bends** - Any bend which exceeds the radius of one-shot 90° bending shoes supplied with one-shot hydraulic power benders.

**Comeback** - When making a 90° bend having a definite leg length (or rise) the center of the bend must be located when using certain benders. To do this, first measure the leg length from the end of straight section of pipe. Then, “come back” 1/2 the gain to locate the center of the bend.

**Degree indicator** - This is an instrument designed to indicate the exact degree of bend while it is being made.

**Protractor** - Made for use with Benders mounted on Bending Table. Measures degrees – also has scale for 18°, 20°, 21° and 22° bends when using to make a large sweep bend.

**Segment Bend** - Any bend formed by a series of bends of a few degrees each, rather than a single one-shot bend.

## Making a Bend

1. Set up the 881 Hydraulic Bender according to its instructions in this manual and use accessories specific to the conduit to be bent.
2. Observe work site and select the size and type of conduit. The conduit determines what set of table numbers are used for finding the bend marks.
3. Determine the Stub Height (H) and the Bend Angle. (Fig.18) These numbers determine the appropriate numbers needed from the bending tables. Different types of bends use different tables and variables follow the instructions for the type of bend to know what variables are needed.

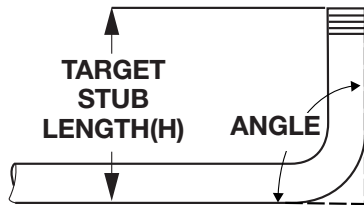


Figure 18

4. Mark the conduit by following the instruction for the type of bend and using the appropriate tables. The Special Bending Tables are used unless otherwise specified.
5. Insert conduit between saddle and shoe. Line up the appropriate bending mark with the saddle lip, and make sure the follow bar is touching the back of the saddle. (Fig.19)

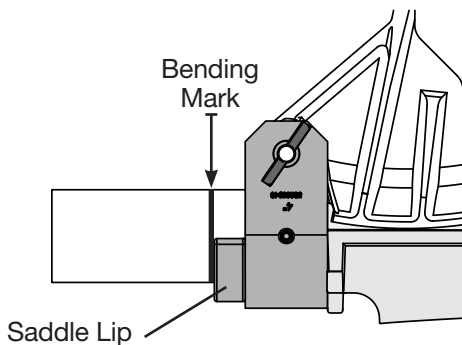


Figure 19

6. Snug-up bender. Advance the ram until the conduit cannot shift but before the conduit is actually bent.
7. Calculate Z position (see Ram Travel) for desired bend angle and move rubber ring on the ram scale to mark.
8. Advance ram to Z-position.
9. Reverse ram until fully retracted to release the conduit. Remove conduit and check bend.

## Bending Marks

### Less than 90° Bend Marks

1. In the appropriate Special Bending Table, use the desired stub height (H) and angle to find Y. (Fig.20)
2. Measure Y distance from the end of the conduit and place the bending mark here. (Fig.21)

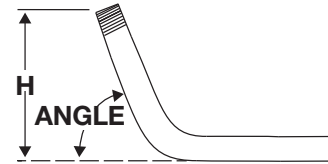


Figure 20

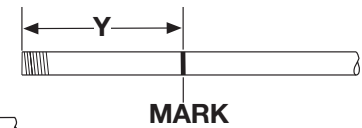


Figure 21

### 90° Bend Marks

1. Make MARK 1 by measuring to the Target Stub Length (H). (Fig.22)
2. Make MARK 2 by measuring the DEDUCT (Table 2) from MARK 1 towards the threads. (Fig.23) The distance between MARK 2 to the end of the conduit cannot be less than the MIN. STUB LENGTH.

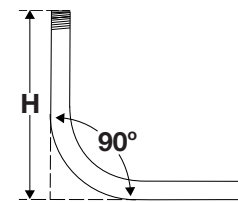


Figure 22

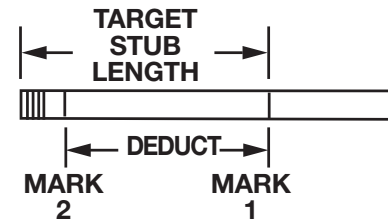


Figure 23

**TABLE 2—MIN. STUB HEIGHT, DEDUCT (IN.)**

CONDUIT SIZE	2-1/2	3	3-1/2	4
<b>EMT</b>				
DEDUCT	21-1/2	24	27-3/4	32-1/4
MIN. STUB LENGTH (H)	24	27	31-1/4	36-1/4
MIN. DISTANCE FROM END OF CONDUIT	2-1/2	3	3-1/2	4
<b>IMC RIGID</b>				
DEDUCT	21-1/2	24-1/4	28-1/4	32-1/2
MIN. STUB LENGTH (H)	24	26-3/4	30-3/4	35
MIN. DISTANCE FROM END OF CONDUIT	2-1/2	2-1/2	2-1/2	2-1/2

## Offsets

An offset is made to avoid an obstruction blocking the run of the conduit. To make an offset, two equal bends are required in opposite directions to create a rise that will go around the obstruction. Depending on the end position desired, the mark positions are based off different numbers in the tables.

### Center-to-Center Offset (Fig.24)

1. Select the size and type of conduit. Measure the height (H) of the obstruction. Use the column with an offset that will overcome the obstruction to, find X and A-Measurements.
2. Make MARK 1 by measuring the distance from end of conduit to desired start of 1st bend.
3. Make MARK 2 on conduit by subtracting X (Table 3) from MARK 1.  
*The distance from MARK 2 to the end of the conduit cannot be less than the MIN. DIST. FROM END OF Conduit to avoid crushing threads and bad quality bends.*
4. Find the "A" distance (Table 4). Make MARK 3 on the conduit by measuring this distance from MARK 2.
5. Aline MARK 2 with outside edge of saddle for the 1ST Bend. Advance ram to calculated Z-Position for desired angle.
6. Rotate conduit 180°. Aline MARK 3 with outside edge of the saddle for the second bend.

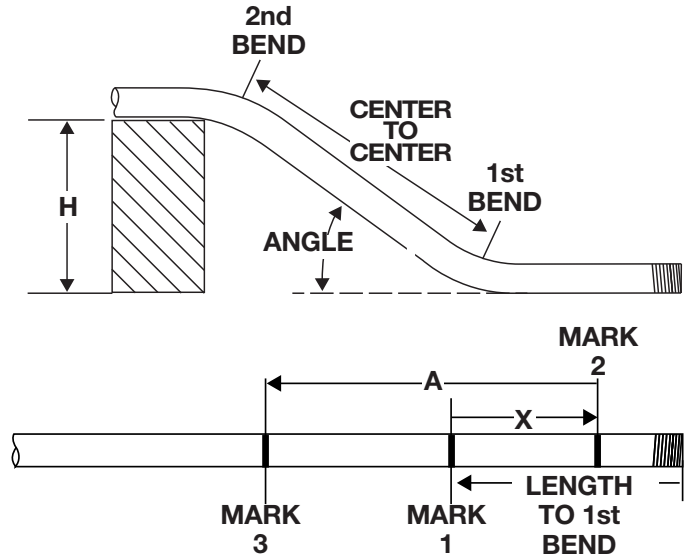


Figure 24

TABLE 3 "X" DISTANCE (in.)					
CONDUIT SIZE		2-1/2	3	3-1/2	4
EMT	X	6-5/32	5-3/4	6-9/16	8-1/2
	MIN. DIST. FROM END OF CONDUIT	2-1/2	3	3-1/2	4
IMC/RIGID	X	6-5/32	6	7	8-3/4
	MIN. DIST. FROM END OF CONDUIT	2-1/2	2-1/2	2-1/2	2-1/2

TABLE 5 "OFFSET" MULTIPLIERS	
BEND ANGLE	MULTIPLIER
15°	3.86
30°	2
45°	1.4

TABLE 4 "A" DISTANCE* (in.)						
(VALUES ARE APPROXIMATE)						
For offset distances not on this table, calculate "A" by multiplying the appropriate multiplier (Table 5) to the desired OFFSET.						
OFFSET	15°		30°		45°	
	MAX COND. SIZE	A	MAX COND. SIZE	A	MAX COND. SIZE	A
2	3/4	7-3/4				
4	1-1/2	15-7/16	3/4	8		
6	3-1/2	23-3/16	1-1/2	12	1/2	8-1/2
8	4	30-15/16	2	16	1	11-5/16
10	4	38-5/8	3-1/2	20	1-1/4	14-1/8
12	4	46-3/8	4	24	1-1/2	16-15/16
14	4	54-1/16	4	28	2	19-13/16
16	4	61-13/16	4	32	2-1/2	22-5/8
18	4	69-9/16	4	36	3	25-7/16
20	4	77-1/4	4	40	3-1/2	28-1/4
22	4	85	4	44	4	31-1/8

\* The "A" values on this table are the same for any conduit less than the maximum. Values in gray are for reference only. The 881 Bender cannot bend conduit less than 2-1/2".

## Offset-Working Past an Obstruction (Fig.25)

When working past an obstruction, it is necessary to determine the location of the 1st Bend (MARK 1). The center-to-center distance is then used to find the location of the 2nd Bend (MARK 2).

1. Find the Special Bending Table for the size and type of conduit. In the table find the row with the angle of bend and the column with the height of stub desired. Use the numbers from where these intersect to find bending marks
2. Subtract X from the LENGTH TO 1ST BEND to find the position of MARK 1.
3. Measure L1 from MARK 1 and place MARK 2 here.
4. Line up MARK 2 with outside edge of saddle for the 1st Bend.
5. Rotate conduit 180° and line up MARK 1 with outside edge of the saddle for the 2nd Bend.

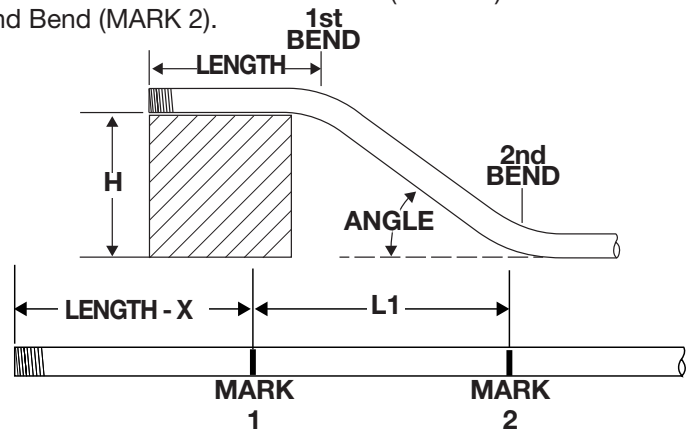


Figure 25

## Offset-Working Toward an Obstruction (Fig.26)

When working toward an obstruction, it is necessary to determine the location of the 2nd Bend. The center-to-center distance is then used to find the location of the 1st Bend.

1. Find the Special Bending Table for the size and type of conduit. In the table find the row with the angle of bend and the column with the height of stub desired. Use the numbers from where these intersect to find bending marks
2. Subtract Z from LENGTH TO 2ND BEND to find the position of MARK 2.
3. Measure L1 from MARK 2 and place MARK 1 here.
4. Line up MARK 2 with outside edge of saddle for the 1st Bend.
5. Rotate conduit 180° and line up MARK 1 with outside edge of the saddle for the 2nd Bend.

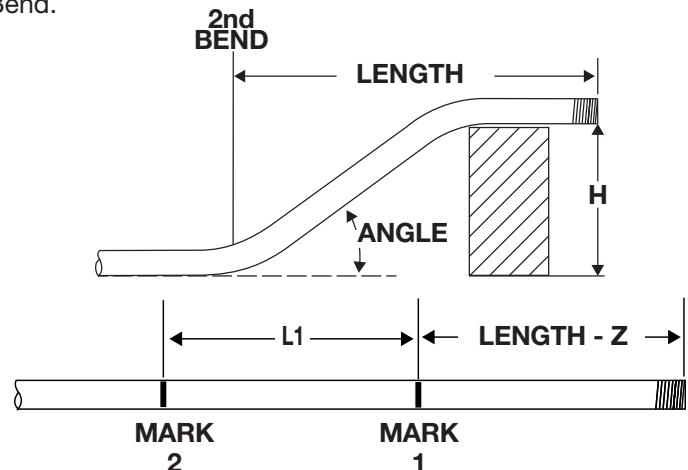


Figure 26

## Back-to-Back or U-Bend (Fig.27)

A U-shaped bend formed by two parallel 90-degree bends with a straight section of conduit or pipe between the bends

1. Select the size and type of conduit. Find the chart that corresponds to the size and type of conduit selected in the Special Bending Tables.
2. Determine the HEIGHT and the LENGTH of the stub. Select the angle for the bend.
3. Follow the 90° ANGLE row and the HEIGHT column for the desired bend. Use the Y and L1 dimensions from that box.
4. Locate MARK 1 Y distance end of conduit/threads.
5. Add L1 to MARK 1 to find the position of MARK 2.
6. Line up MARK 1 with the outside edge of the saddle. Bend 90°.
7. Line up MARK 2, keeping the conduit in the same orientation. Bend 90°.

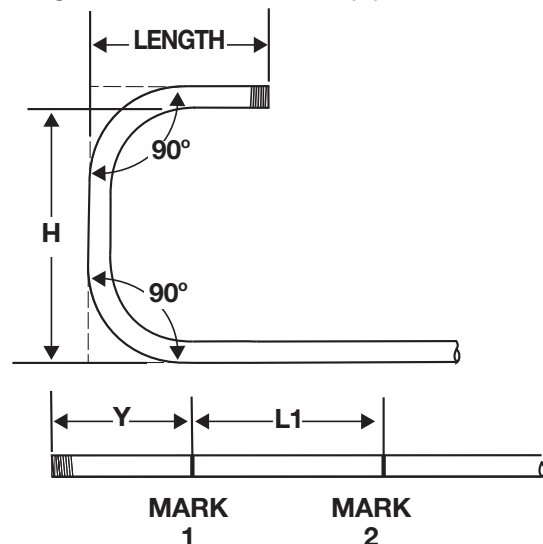


Figure 27



## Saddle Bends

A Saddle creates a bridge to avoid an obstruction blocking the run of the conduit and returning the end of the conduit to the same level as the original run of conduit. They can be made using three or four bends.

### Three-Bend Saddle (Fig.27)

1. Select the size and type of conduit. Find the chart that corresponds to the size and type of conduit selected in the Special Bending Tables.
2. Measure the HEIGHT of the obstruction and the LENGTH TO CENTER of the saddle. Select an angle for the outer bends. The center bend will be twice the selected angle. (i.e. 22-1/2° x 45° x 22-1/2°)
3. Follow the ANGLE row to the HEIGHT column for the desired bend. Use the Z, L1 and L2 dimensions.
4. Subtract Z from the Length to Center and measure this distance from end of conduit/threads to find MARK 1.
5. Measure L1 distance from MARK 1 to find MARK 2.
6. Measure L2 distance from MARK 2 to find MARK 3
7. Line up MARK 1 with the outside edge of the saddle for the 1st bend. Bend to the selected angle.
8. Turn conduit 180° and line up MARK 2. Bend to twice the selected angle.
9. Turn conduit again 180° and line up MARK 3. Bend to the selected angle.

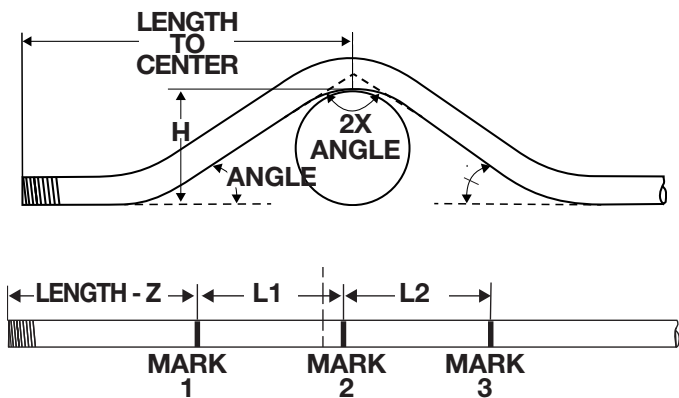


Figure 27

### Four-Bend Saddle (Fig.28)

1. Select the size and type of conduit. Find the chart that corresponds to the size and type of conduit selected in the Special Bending Tables.
2. Measure the HEIGHT of the obstruction and the LENGTH TO 2ND BEND to the obstruction and the STRAIGHT SECTION over the obstruction. Select the angle for all bends.
3. Follow the ANGLE row to the HEIGHT column for the desired bend. Use the Z, L1 and L2 dimensions.
4. Subtract Z from the Length to Center and measure this distance from end of conduit/threads to find MARK 1. Measure L1 distance from MARK 1 to find MARK 2.
5. Measure L1 distance from MARK 1 to find MARK 2.
6. Add L2 to the Straight Section length and measure this distance from MARK 2 to find MARK 3.
7. Line up MARK 1 with the outside edge of the saddle. Bend to the selected angle.
8. Turn conduit 180° and line up MARK 2. Bend to the selected angle.
9. Line up MARK 3, keeping the conduit in the same orientation. Bend to the selected angle.
10. Turn conduit 180° and line up MARK 4. Bend to the selected angle.

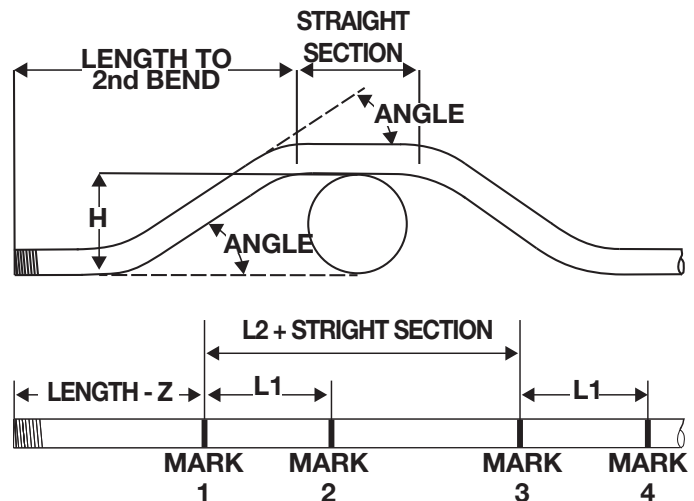


Figure 28

**Special Bending Tables (in.)**

2-1/2" EMT												Dia. = 2.875	Radius = 13.9	x = 6.15
ANGLE	DIM.	HEIGHT (H)										MINIMUM H		
		10"	12"	15"	18"	24"	30"	36"	42"	48"	60"			
15°	Y	25.10	32.83	44.42	56.01	79.19	102.38	125.56	148.74	171.92	218.29	2.54		
	L1	38.62	46.34	57.93	69.53	92.71	115.89	139.07	162.25	185.44	231.80			
	L2	42.26	49.98	61.57	73.16	96.35	119.53	142.71	165.89	189.08	235.44			
	Z	47.13	54.59	65.79	76.99	99.38	121.77	144.16	166.56	188.95	233.73			
22.5°	Y	13.46	18.69	26.53	34.37	50.04	65.72	81.40	97.08	112.76	144.12	4.47		
	L1	26.06	31.29	39.13	46.97	62.64	78.32	94.00	109.68	125.36	156.72			
	L2	31.52	36.74	44.58	52.42	68.10	83.78	99.46	115.14	130.82	162.17			
	Z	35.82	40.65	47.89	55.14	69.62	84.11	98.59	113.08	127.56	156.53			
30°	Y	7.25	11.25	17.25	23.25	35.25	47.25	59.25	71.25	83.25	107.25	6.80		
	L1	19.83	23.83	29.83	35.83	47.83	59.83	71.83	83.83	95.83	119.83			
	L2	27.11	31.11	37.11	43.11	55.11	67.11	79.11	91.11	103.11	127.11			
	Z	30.92	34.38	39.58	44.78	55.17	65.56	75.95	86.35	96.74	117.52			
45°	Y		3.03	7.27	11.52	20.00	28.49	36.97	45.46	53.94	70.91	12.49		
	L1		16.37	20.62	24.86	33.34	41.83	50.31	58.80	67.28	84.25			
	L2		27.29	31.53	35.77	44.26	52.75	61.23	69.72	78.20	95.17			
	Z		29.67	32.67	35.67	41.67	47.67	53.67	56.67	65.67	77.67			
60°	Y			1.49	4.95	11.88	18.81	25.73	32.66	39.59	53.45	19.23		
	L1					26.22	33.15	40.07	47.00	53.93	67.79			
	L2					40.77	47.70	54.63	61.56	68.49	82.34			
	Z					36.06	39.52	42.98	46.45	49.91	56.84			
90°	Y					2.51	8.51	14.51	20.51	26.51	38.51	33.95		
	L1							30.03	36.03	42.03	54.03			
	L2							51.87	57.87	63.87	75.87			
	Z							33.95	33.95	33.95	33.95			

3" EMT												Dia. = 3.5	Radius = 16.48	x = 5.77
ANGLE	DIM.	HEIGHT (H)										MINIMUM H		
		10"	12"	15"	18"	24"	30"	36"	42"	48"	60"			
15°	Y	23.94	31.66	43.25	54.85	78.03	101.21	124.39	147.57	170.76	217.12	2.62		
	L1	38.61	46.34	57.93	69.52	92.70	115.89	139.07	162.25	185.43	231.80			
	L2	42.93	50.65	62.25	73.84	97.02	120.20	143.38	166.57	189.75	236.11			
	Z	47.43	54.89	66.09	77.29	99.68	122.07	144.46	166.86	189.25	234.03			
22.5°	Y	12.51	17.74	25.58	33.42	49.09	64.77	80.45	96.13	111.81	143.17	4.72		
	L1	26.05	31.27	39.11	46.95	62.63	78.31	93.99	109.67	125.35	156.70			
	L2	32.52	37.74	45.58	53.42	69.10	84.78	100.46	116.14	131.82	163.17			
	Z	36.47	41.30	48.54	55.78	70.27	84.75	99.24	113.72	128.21	157.18			
30°	Y	6.31	10.31	16.31	22.31	34.31	46.31	58.31	70.31	82.31	106.31	7.30		
	L1	19.80	23.80	29.80	35.80	47.80	59.80	71.80	83.80	95.80	119.80			
	L2	28.43	32.43	38.43	44.43	56.43	68.43	80.43	92.43	104.43	128.43			
	Z	31.92	35.39	40.58	45.78	56.17	66.56	76.96	87.35	97.74	118.52			
45°	Y		1.90	6.14	10.38	18.87	27.36	35.84	44.33	52.81	69.78	13.73		
	L1			20.50	24.75	33.23	41.72	50.20	58.69	67.17	84.14			
	L2			33.45	37.69	46.18	54.66	63.15	71.63	80.12	97.09			
	Z			34.42	37.42	43.42	49.42	55.42	61.42	67.42	79.42			
60°	Y			0.02	3.48	10.41	17.34	24.26	31.19	38.12	51.98	21.48		
	L1					25.94	32.87	39.80	46.73	53.65	67.51			
	L2					43.20	50.13	57.06	63.98	70.91	84.77			
	Z					38.66	42.12	45.58	49.05	52.51	59.44			
90°	Y					0.00	6.00	12.00	18.00	24.00	36.00	38.73		
	L1								34.93	40.93	52.93			
	L2								60.81	66.81	78.81			
	Z								38.73	38.73	38.73			



**Special Bending Tables (in.) Cont.**

3-1/2" EMT												Dia. = 4			Radius = 19.18			x = 6.56		
ANGLE	DIM.	HEIGHT (H)										MINIMUM H								
		10"	12"	15"	18"	24"	30"	36"	42"	48"	60"									
15°	Y	21.82	29.55	41.14	52.73	75.92	99.10	122.28	145.46	168.65	215.01	3.00								
	L1	38.61	46.34	57.93	69.52	92.70	115.88	139.06	165.25	185.43	231.79									
	L2	43.63	51.36	62.95	74.54	97.72	120.90	144.09	167.27	190.45	236.81									
	Z	48.93	56.39	67.59	78.79	101.18	123.57	145.96	168.36	190.75	235.53									
22.5°	Y	10.53	15.76	23.60	31.43	47.11	62.79	78.47	94.15	109.83	141.19	5.43								
	L1	26.03	31.26	39.10	46.94	62.62	78.30	93.97	109.65	125.33	156.69									
	L2	33.56	38.79	46.63	54.47	70.15	85.83	101.51	117.18	132.86	164.22									
	Z	38.33	43.16	50.40	57.65	72.13	86.62	101.10	115.59	130.37	159.04									
30°	Y	4.30	8.30	14.30	20.30	32.30	44.30	56.30	68.30	80.30	104.30	8.42								
	L1	19.76	23.76	29.76	35.76	47.76	59.76	71.76	83.76	95.76	119.76									
	L2	29.81	33.81	39.81	45.81	57.81	69.81	81.81	93.81	105.81	129.81									
	Z	34.16	37.62	42.82	48.02	58.41	68.80	79.19	89.58	99.98	120.76									
45°	Y			3.88	8.12	16.61	25.09	33.58	42.06	50.55	67.52	15.87								
	L1				24.63	33.12	41.60	50.09	58.57	67.06	84.03									
	L2				39.69	48.18	56.67	65.15	73.64	82.12	99.09									
	Z				40.45	46.45	52.45	58.45	64.45	70.45	82.45									
60°	Y				0.84	7.77	14.7	21.63	28.55	35.48	49.34	24.86								
	L1						32.58	39.51	46.44	53.36	67.22									
	L2						52.66	59.59	66.52	73.45	87.31									
	Z						46.03	49.49	52.96	56.42	63.35									
90°	Y						2.26	8.26	14.26	20.26	32.26	44.92								
	L1									39.77	51.77									
	L2									69.90	81.90									
	Z									44.92	44.92									

4" EMT												Dia. = 4.5			Radius = 21.50			x = 8.50		
ANGLE	DIM.	HEIGHT (H)										MINIMUM H								
		10"	12"	15"	18"	24"	30"	36"	42"	48"	60"									
15°	Y	18.61	26.34	37.93	49.52	72.71	95.89	119.07	142.25	165.43	211.80	3.67								
	L1	38.60	46.33	57.92	69.51	92.70	115.88	139.06	162.24	185.43	231.79									
	L2	44.23	51.96	63.55	75.14	98.33	121.51	144.69	167.87	191.05	237.42									
	Z	51.48	58.95	70.14	81.34	103.73	126.12	148.51	170.91	193.30	238.08									
22.5°	Y	7.48	12.70	20.54	28.38	44.06	59.74	75.42	91.10	106.77	138.13	6.53								
	L1	26.02	31.25	39.09	46.93	62.60	78.28	93.96	109.64	125.32	156.68									
	L2	34.46	39.69	47.53	55.37	71.05	86.73	102.41	118.08	133.76	165.12									
	Z	41.20	46.02	53.27	60.51	74.99	89.48	103.96	118.45	132.94	161.91									
30°	Y	1.24	5.24	11.24	17.24	29.24	41.24	53.24	65.24	77.24	101.24	10.01								
	L1	19.74	23.74	29.74	35.74	47.74	59.74	71.74	83.74	95.74	119.74									
	L2	30.99	34.99	40.99	46.99	58.99	70.99	82.99	94.99	106.99	130.99									
	Z	37.34	40.81	46.00	51.20	61.59	71.98	82.38	92.77	103.16	123.94									
45°	Y			0.63	4.87	13.35	21.84	30.32	38.81	47.29	64.27	18.60								
	L1					33.02	41.50	49.99	58.47	66.96	83.93									
	L2					49.90	58.39	66.87	75.36	83.84	100.81									
	Z					50.31	56.31	62.31	68.31	74.31	86.31									
60°	Y					4.20	11.13	18.06	24.99	31.91	45.77	28.86								
	L1						32.33	39.26	46.19	53.11	66.97									
	L2						54.84	61.77	68.70	75.63	89.49									
	Z						50.65	54.11	57.57	61.04	67.97									
90°	Y						2.26	3.75	9.75	15.75	27.75	51.50								
	L1										50.77									
	L2										84.54									
	Z										51.50									

**Special Bending Tables (in.) Cont.**

2-1/2" IMC/RIGID												Dia. = 2.875		Radius = 13.9		x = 6.15	
ANGLE	DIM.	HEIGHT (H)										MINIMUM H					
		10"	12"	15"	18"	24"	30"	36"	42"	48"	60"						
15°	Y	25.10	32.83	44.42	56.01	79.19	102.38	125.56	148.74	171.92	218.29	2.54					
	L1	38.62	46.34	57.93	69.53	92.71	115.89	139.07	162.25	185.44	231.80						
	L2	42.26	49.98	61.57	73.16	96.35	119.53	142.71	165.89	189.08	235.44						
	Z	47.13	54.59	65.79	76.99	99.38	121.77	144.16	166.56	188.95	233.73						
22.5°	Y	13.46	18.69	26.53	34.37	50.04	65.72	81.40	97.08	112.76	144.12	4.47					
	L1	26.06	31.29	39.13	46.97	62.64	78.32	94.00	109.68	125.36	156.72						
	L2	31.52	36.74	44.58	52.42	68.10	83.78	99.46	115.14	130.82	162.17						
	Z	35.82	40.65	47.89	55.14	69.62	84.11	98.59	113.08	127.56	156.53						
30°	Y	7.25	11.25	17.25	23.25	35.25	47.25	59.25	71.25	83.25	107.25	6.80					
	L1	19.83	23.83	29.83	35.83	47.83	59.83	71.83	83.83	95.83	119.83						
	L2	27.11	31.11	37.11	43.11	55.11	67.11	79.11	91.11	103.11	127.11						
	Z	30.92	34.38	39.58	44.78	55.17	65.56	75.95	86.35	96.74	117.52						
45°	Y	0.20	3.03	7.27	11.52	20.00	28.49	36.97	45.46	53.94	70.91	12.49					
	L1			20.62	24.86	33.34	41.83	50.31	58.80	67.28	84.25						
	L2			31.53	35.77	44.26	52.75	61.23	69.72	78.20	95.17						
	Z			32.67	35.67	41.67	47.67	53.67	59.67	65.67	77.67						
60°	Y			1.49	4.95	11.88	18.81	25.73	32.66	39.59	53.45	19.23					
	L1					26.22	33.15	40.07	47.00	53.93	67.79						
	L2					40.77	47.70	54.63	61.56	68.49	82.34						
	Z					36.06	39.52	42.98	46.45	49.91	56.84						
90°	Y					2.51	8.51	14.51	20.51	26.51	38.51	33.95					
	L1							30.03	36.03	42.03	54.03						
	L2							51.87	57.87	63.87	75.87						
	Z							33.95	33.95	33.95	33.95						

3" IMC/RIGID												Dia. = 3.5		Radius = 16.48		x = 6	
ANGLE	DIM.	HEIGHT (H)										MINIMUM H					
		10"	12"	15"	18"	24"	30"	36"	42"	48"	60"						
15°	Y	23.71	31.43	43.02	54.62	77.80	100.98	124.16	147.34	170.53	216.89	2.68					
	L1	38.61	46.34	57.93	69.52	92.70	115.89	139.07	162.25	185.43	231.80						
	L2	42.93	50.65	62.25	73.84	97.02	120.20	143.38	166.57	189.75	236.11						
	Z	47.66	55.12	66.32	77.52	99.91	122.30	144.69	167.09	189.48	234.26						
22.5°	Y	12.28	17.51	25.35	33.19	48.86	64.54	80.22	95.90	111.58	142.94	4.81					
	L1	26.05	31.27	39.11	46.95	62.63	78.31	93.99	109.67	125.35	156.70						
	L2	32.52	37.74	45.58	53.42	69.10	84.78	100.46	116.14	131.82	163.17						
	Z	36.70	41.53	48.77	56.01	70.50	84.98	99.47	113.95	128.44	157.41						
30°	Y	6.08	10.08	16.08	22.08	34.08	46.08	58.08	70.08	82.08	106.08	7.42					
	L1	19.80	23.80	29.80	35.80	47.80	59.80	71.80	83.80	95.80	119.80						
	L2	28.43	32.43	38.43	44.43	56.43	68.43	80.43	92.43	104.43	128.43						
	Z	32.15	35.62	40.81	46.01	56.40	66.79	77.19	87.58	97.97	118.75						
45°	Y		1.67	5.91	10.15	18.64	27.13	35.61	44.10	52.58	69.55	13.90					
	L1			20.50	24.75	33.23	41.72	50.20	58.69	67.17	84.14						
	L2			33.45	37.69	46.18	54.66	63.15	71.63	80.12	97.09						
	Z			34.65	37.65	43.65	49.65	55.65	61.65	67.65	79.65						
60°	Y				3.25	10.18	17.11	24.03	30.96	37.89	51.75	21.68					
	L1					25.94	32.87	39.80	46.73	53.65	67.51						
	L2					43.20	50.13	57.06	63.98	70.91	84.77						
	Z					38.89	42.35	45.81	49.28	52.74	59.67						
90°	Y					2.51	5.77	11.77	17.77	23.77	35.77	38.96					
	L1							34.93	40.93	52.93							
	L2							60.81	66.81	78.81							
	Z							38.96	38.96	38.96							

**Special Bending Tables (in.) Cont.**

3-1/2" IMC/RIGID												Dia. = 4	Radius = 19.18	x = 7
ANGLE	DIM.	HEIGHT (H)										MINIMUM H		
		10"	12"	15"	18"	24"	30"	36"	42"	48"	60"			
15°	Y	21.38	29.11	40.70	52.29	75.48	98.66	121.84	145.02	168.21	214.57	3.12		
	L1	38.61	46.34	57.93	69.52	92.70	115.88	139.06	162.25	185.43	231.79			
	L2	43.63	51.36	62.95	74.54	97.72	120.90	144.09	167.27	190.45	236.81			
	Z	49.37	56.83	68.03	79.23	101.62	124.01	146.40	168.80	191.19	235.97			
22.5°	Y	10.09	15.32	23.16	30.99	46.67	62.35	78.03	93.71	109.39	140.75	5.60		
	L1	26.03	31.26	39.10	46.94	62.62	78.30	93.97	109.65	125.33	156.69			
	L2	33.56	38.79	46.63	54.47	70.15	85.83	101.51	117.18	132.86	164.22			
	Z	38.77	43.60	50.84	58.09	72.57	87.06	101.54	116.03	130.51	159.48			
30°	Y	3.86	7.86	13.86	19.86	31.86	43.86	55.86	67.86	79.86	103.86	8.64		
	L1	19.76	23.76	29.76	35.76	47.76	59.76	71.76	83.76	95.76	119.76			
	L2	29.91	33.81	39.81	45.81	57.81	69.81	81.81	93.81	105.81	129.81			
	Z	34.60	38.06	43.26	48.46	58.85	69.24	79.63	90.02	100.42	121.20			
45°	Y			3.44	7.68	16.17	24.65	33.14	41.62	50.11	67.08	16.19		
	L1				24.63	33.12	41.60	50.09	58.57	67.06	84.03			
	L2				39.69	48.18	56.67	65.15	73.64	82.12	99.09			
	Z				40.89	46.89	52.89	58.89	64.89	70.89	82.89			
60°	Y				0.40	7.33	14.26	21.19	28.11	35.04	48.90	25.24		
	L1						32.58	39.51	46.44	53.36	67.22			
	L2						52.66	59.59	66.52	73.45	87.31			
	Z						46.47	49.93	53.40	56.86	63.79			
90°	Y						1.82	7.82	13.82	19.82	31.82	45.36		
	L1								39.77	51.77				
	L2								69.90	81.90				
	Z								45.36	45.36				

4" IMC/RIGID												Dia. = 4.5	Radius = 21.50	x = 8.75
ANGLE	DIM.	HEIGHT (H)										MINIMUM H		
		10"	12"	15"	18"	24"	30"	36"	42"	48"	60"			
15°	Y	18.36	26.09	37.68	49.27	72.46	95.64	118.82	142.00	165.18	211.55	3.73		
	L1	38.60	46.33	57.92	69.51	92.70	115.88	139.06	162.24	185.43	231.79			
	L2	44.23	51.96	63.55	75.14	98.33	121.51	144.69	167.87	191.05	237.42			
	Z	51.73	59.20	70.39	81.59	103.98	126.37	148.76	171.16	193.55	238.33			
22.5°	Y	7.23	12.45	20.29	28.13	43.81	59.49	75.17	90.85	106.52	137.88	6.62		
	L1	26.02	31.25	39.09	46.93	62.60	78.28	93.96	109.64	125.32	156.68			
	L2	34.46	39.69	47.53	55.37	71.05	86.73	102.41	118.08	133.76	165.12			
	Z	41.45	46.27	53.52	60.76	75.24	89.73	104.21	118.70	133.19	162.16			
30°	Y	0.99	4.99	10.99	16.99	28.99	40.99	52.99	64.99	76.99	100.99	10.14		
	L1		23.74	29.74	35.74	47.74	59.74	71.74	83.74	95.74	119.74			
	L2		34.99	40.99	46.99	58.99	70.99	82.99	94.99	106.99	130.99			
	Z		41.06	46.25	51.45	61.84	72.23	82.63	93.02	103.41	124.19			
45°	Y			0.38	4.62	13.10	21.59	30.07	38.56	47.04	64.02	18.78		
	L1					33.02	41.50	49.99	58.47	66.96	83.93			
	L2					49.90	58.39	66.87	75.36	83.84	100.81			
	Z					50.56	56.56	62.56	68.56	74.56	86.56			
60°	Y					3.95	10.88	17.81	24.74	31.66	45.52	29.08		
	L1						32.33	39.26	46.19	53.11	66.97			
	L2						54.84	61.77	68.70	75.63	89.49			
	Z						50.90	54.36	57.82	61.29	68.22			
90°	Y							3.50	9.50	15.50	27.50	51.75		
	L1										50.77			
	L2										84.54			
	Z										51.75			

## Troubleshooting

Problem	Likely Cause	Solution
Wrinkling of EMT.	The yoke pin is in the wrong position.	Move yoke pin to hole marked EMT.
	Follow bar is in backwards.	Remove follow bar and insert end marked START toward saddle.
	Contact surfaces between shoe and follow bar have debris or damage.	Clean shoe and follow bar. Replace shoe or follow bar, as necessary.
	Follow bar is not positioned within 1" of saddle at start of bend.	Position follow bar according to the bending instructions.
	Follow bar is not centered on roller at start of bend.	Center the follow bar on the roller.
	Shoe or follow bar grooves are worn or spread.	Replace shoe or follow bar.
	Roller is not rolling on shaft.	Lubricate roller.
	High yield strength conduit.	Use standard EMT.
Side creasing of EMT.	Follow bar is not centered on roller at start of bend.	Center the follow bar on the roller.
	Conduit is not level (when bending on the floor).	Level the conduit.
	Contact surfaces between shoe and follow bar have debris or damage.	Clean shoe and follow bar. Replace shoe or follow bar, as necessary.
	Follow bar groove is worn or spread.	Replace follow bar.
Will not bend EMT.	Follow bar is in backwards.	Remove follow bar and insert end marked START toward saddle.
Wrinkling of IMC or rigid	Follow bar is in backwards.	Remove follow bar and insert end marked START toward saddle.
Side creasing of IMC or rigid.	Conduit is not level (when bending on the floor).	Level the conduit.
	Follow bar is not centered on roller at start of bend.	Center the follow bar on the roller.
Will not bend IMC or rigid.	Yoke pin is in the wrong position.	Move yoke pin to hole marked IMC/RIGID.
	Follow bar is installed backwards.	Remove follow bar and insert end marked START toward saddle.
Ram will not advance.	Pump does not have enough oil.	Add oil. Refer to instructions supplied with the pump.
	Pump vent is closed.	Open the pump vent.
	Hose couplings are not fully tightened.	Tighten the hose couplings.
	Excessive voltage drop from long extension cord.	Use a shorter or higher rated extension cord.
Ram is misaligned	Cylinder block hitch pin clips are not in correct hitch pin holes (Fig.7)	Move hitch pin clips to correct hole.
	Piston support not installed.	Install piston support.
	Cylinder block hitch pins are bent.	Replace cylinder block hitch pins.

## Storage & Transportation

### ⚠ WARNING



- **Some parts and accessories of this tool are heavy.** Use proper lifting techniques to reduce the risk of injury.

The 881 Bender comes with a chest box that can be used for transport and storage.

1. Depressurize and disconnect pump before touching bender.
2. Uncouple the pump hose from the ram.
3. Remove follow bar, shoe, and saddle.
4. Disassemble bender following the assembly instructions backwards.
5. Store bender in a cool, dry place indoors or covered when storing outside.

See **Mobile Bending Table for 881 Hydraulic Bender** instruction manual for transport and storage of the bender when mounted on the MBT.

## Cleaning

### ⚠ WARNING



- **High pressure oil easily punctures skin, causing serious injury, gangrene, or death.** Do not use your hands to check for leaks. Stay away from pressurized components. Depressurize hydraulic system before touching the hose/ attachments. If injured, seek medical help immediately to remove oil.
- **Do not modify this tool.** Modifying the tool in any manner may result in personal injury and damage to the tool.
- **Do not attempt to open the tool.** It contains no user-serviceable parts.

Depressurize pump before touching pump, hose, or bender for cleaning.

Wipe with a clean, dry cloth. Do not use solvents or harsh chemicals.

Clean bending surfaces (Follow bar groove, shoes and saddles) of any debris to reduce the risk of galling on the bending surfaces which could lead to wrinkling or creasing of conduit.

## Repair Kits & Accessories

CATALOG #	DESCRIPTION
10103C	40 TON RAM WITH QUICK COUPLER (FEMALE), 2 CYLINDER BLOCK PINS, 2 HITCH PIN CLIPS.
12801G	PISTON SUPPORT
94849G	2 CYLINDER BLOCK PINS
2725AA	4 HITCH PIN CLIPS
94848G	CONNECTING BARS
12795G	ROLLER UNIT, WITH 2 HITCH PIN CLIPS
30309	YOKE
12800G	PISTON SUPPORT & EXTENDED YOKE
12797G	YOKE PIN
26349	YOKE SPRING CLIP
12796G	SADDLE PIN
94811G	2-1/2" GROUP (13-1/2" RADIUS)
26297	2-1/2" SHOE
88632G	2-1/2" FOLLOW BAR
26580	2-1/2" SADDLE
94812G	3" GROUP (16" RADIUS)
26300	3" SHOE
88633	3" FOLLOW BAR
26584	3" SADDLE
94813G	3-1/2" GROUP (18-5/8" RADIUS)
31882	3-1/2" SHOE
88634	3-1/2" FOLLOW BAR
26588	3-1/2" SADDLE
94814G	4" GROUP (20-7/8" RADIUS)
31884	4" SHOE
88635	4" FOLLOW BAR
26594	4" SADDLE
11289	3/8" x 6' HIGH PRESSURE HOSE WITH QUICK COUPLERS (MALE)
2460	JOB BOX (4860)
696	JOB BOX CASTER SET

## Service

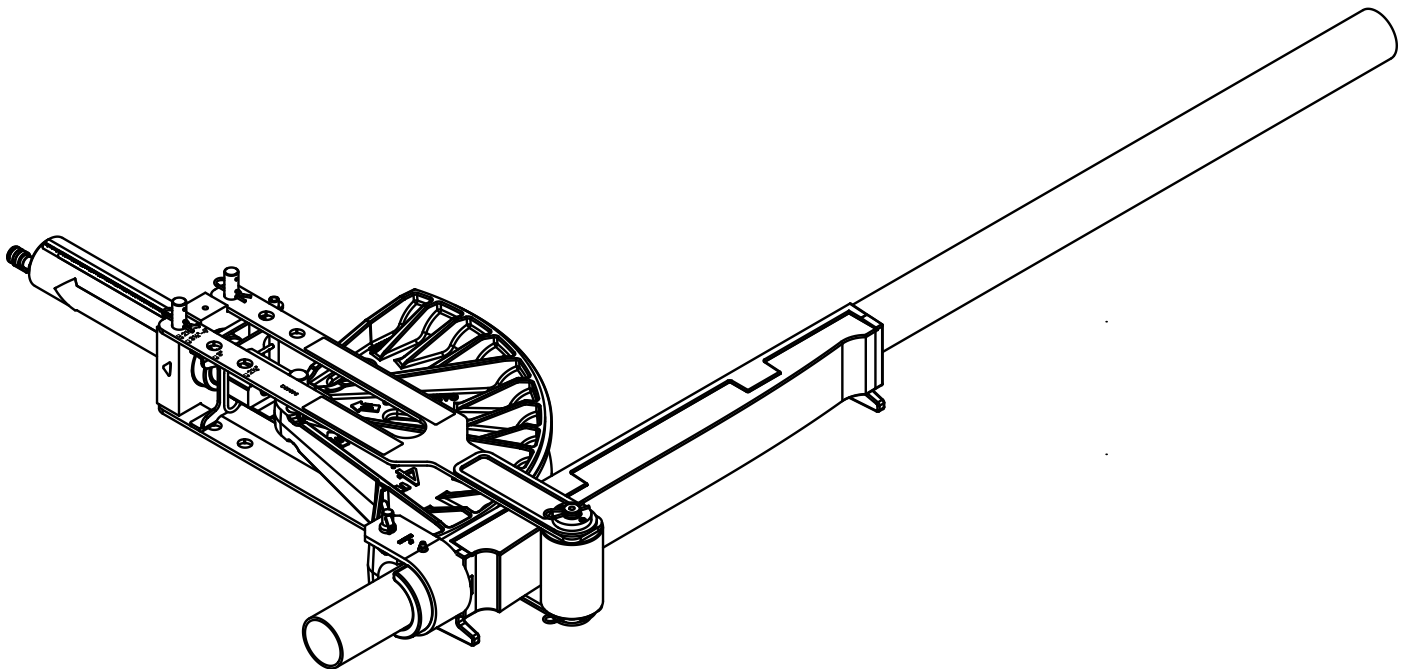
### **WARNING**

- **Tool service must be performed only by qualified repair personnel.** Service or maintenance performed by unqualified personnel could result in a risk of injury.

## Disposal

Parts of these tools contain valuable materials and can be recycled. There are companies that specialize in recycling that may be found locally. Dispose of the components in compliance with all applicable regulations. Contact your local waste management authority for more information.

# MANUAL DE INSTRUCCIONES



English .....1-26  
Français .....53-78

## 881GX Cam Track® Curvadora hidráulica



**Lea y comprenda** todas las instrucciones y la información de seguridad en este manual antes de hacer funcionar o realizar mantenimiento en esta herramienta.

**CONSERVE ESTE MANUAL**

## Índice

Clave de símbolos de seguridad.....	29
Advertencias generales de seguridad .....	30
Información de seguridad específica de la herramienta.....	31
Información de contacto de Greenlee.....	31
Descripción de la herramienta.....	32
Especificaciones .....	32
Identificación de la herramienta .....	33
Adhesivos y ubicaciones.....	34
Inspección previa al funcionamiento.....	35
Configuración y funcionamiento de la herramienta.....	36-39
Calcular el recorrido del ariete para el ángulo de curvatura .....	40
Aspectos básicos del curvado .....	41
Cómo realizar una curvatura .....	42
Marcas de curvado.....	42-44
Curvaturas del soporte .....	45
Tablas de curvado especial .....	46-49
Resolución de problemas.....	50
Almacenamiento.....	51
Transporte .....	51
Limpieza .....	41
Kit de reparación y accesorios .....	52
Servicio.....	52
Eliminación .....	52

**CONSERVE ESTE MANUAL**



## Clave de los símbolos de seguridad

En este manual del operador y en el producto, los símbolos de seguridad y las advertencias impresas se utilizan para comunicar información importante de seguridad. Esta sección permite mejorar la comprensión de estas palabras y símbolos de señalización.



Este es el símbolo de alerta de seguridad. Se utiliza para advertirle sobre peligros potenciales de lesiones. Observe todos los mensajes de seguridad que aparecen después de este símbolo para evitar posibles lesiones o la muerte.

### PELIGRO

indica una situación peligrosa que si no se evita, OCASIONARÁ la muerte o lesiones graves.

### ADVERTENCIA

indica una situación peligrosa que si no se evita, PODRÍA causar la muerte o lesiones graves.

### ATENCIÓN

indica peligros o prácticas no seguras que si no se evitan, PUEDEN causar lesiones o daños materiales.



Este símbolo significa que debe leer atentamente el manual del operador antes de utilizar el equipo. El manual del operador contiene información importante sobre el funcionamiento seguro y adecuado del equipo.



Este símbolo significa que siempre debe usar gafas de seguridad con protectores laterales o anteojos al manipular o utilizar este equipo para reducir el riesgo de lesiones oculares.



Este símbolo significa que siempre debe usar calzado de seguridad para reducir el riesgo de golpearse o de que se le caigan objetos sobre los pies o de estar en contacto con materiales térmicos o químicos.



Siempre use guantes cuando manipule o utilice este equipo para reducir el riesgo de lesiones.



Este símbolo indica el riesgo de aplastamiento de las manos, los dedos u otras partes del cuerpo.



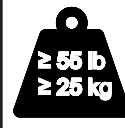
Este símbolo indica el riesgo de que los componentes se rompan y golpeen al personal circundante.



Este símbolo indica riesgo de lesiones por golpes provenientes de piezas móviles del producto.



Este símbolo indica riesgo de líquido presurizado dirigido a las manos o a otras partes del cuerpo, que causa perforaciones en la piel y lesiones por infección.



Este símbolo indica que el peso del estuche portátil (o equipo) es superior a 55 lb (25 kg), y que debe utilizar una técnica de elevación adecuada para reducir el riesgo de lesiones.

**Advertencias generales de seguridad****⚠ ADVERTENCIA**

La seguridad es esencial al utilizar y mantener las herramientas y los equipos de Greenlee. Este manual de instrucciones y cualquier marca en la herramienta proporcionan información para evitar peligros y prácticas poco seguras relacionadas con el uso de esta herramienta.

Lea todas las advertencias, instrucciones, ilustraciones y especificaciones de seguridad proporcionadas con esta herramienta. Si no sigue todas las instrucciones incluidas a continuación puede sufrir lesiones graves.

**GUARDE TODAS LAS ADVERTENCIAS Y LAS INSTRUCCIONES PARA REFERENCIA FUTURA.**

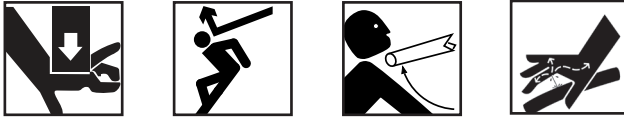
- **Use equipo de protección personal (Personal Protective Equipment, PPE).** Use siempre protección ocular. El uso del equipo de protección para las condiciones adecuadas reducirá las lesiones personales.
- **Utilice esta herramienta solo para el propósito para el que la diseñó el fabricante.** Un uso distinto al que se indica en este manual podría ocasionar una situación peligrosa.
- **Una persona debe controlar el proceso de trabajo y el funcionamiento de la máquina.** Cuando la máquina está funcionando solo el operador debe estar en el área de trabajo. Esto ayuda a reducir el riesgo de lesiones.
- **Mantenga las manijas y las superficies de agarre secas, limpias y libres de aceite y grasa.** Las manijas y las superficies de agarre resbalosas no permiten una manipulación y control seguros de la herramienta en las situaciones inesperadas.
- **Algunas piezas y accesorios de esta herramienta son pesados.** Utilice técnicas de elevación adecuadas para reducir el riesgo de lesiones.
- **Manténgase alerta, observe lo que hace y utilice el sentido común cuando utilice la herramienta.** No utilice esta herramienta si está cansado o bajo la influencia de medicamentos, alcohol o drogas. Un momento de descuido mientras opera herramientas eléctricas podría provocar lesiones graves.
- **Mantenga a los observadores a una distancia segura del área de trabajo.** Otras personas cercanas al operador aumentan el riesgo de lesiones a sí mismos y al operador por distracción o interacción con el equipo.
- **No permita que la familiaridad obtenida con el uso frecuente de las herramientas eléctricas le haga sentirse confiado e ignorar los principios de seguridad de esas herramientas.** Un descuido puede producir una lesión grave en una fracción de segundo.
- **No se extralimite.** Párese siempre firmemente y man-

teniendo un buen equilibrio. Esto permite un mejor control de la herramienta en situaciones inesperadas.

- **Use vestimenta adecuada.** No use vestimenta holgada ni joyas. Mantenga su cabello, vestimenta y guantes alejados de las partes móviles. La vestimenta holgada, las joyas o el cabello largo pueden quedar atrapadas en las piezas móviles.
- **Mantenga las herramientas que no utilice fuera del alcance de los niños y no permita que las personas que no están familiarizadas con la herramienta o con estas instrucciones la hagan funcionar.** Estas herramientas son peligrosas en manos de usuarios no capacitados.
- **Realice un mantenimiento de todo el equipo y de los accesorios.** Verifique si las piezas móviles están desalineadas o curvadas, si hay partes rotas o cualquier otra situación que pueda afectar el funcionamiento. Si hay alguna pieza dañada, repare la pieza antes de utilizarla. Muchos accidentes ocurren por un mantenimiento deficiente del equipo y de los accesorios.
- **Mantenga el área de trabajo limpia y bien iluminada.** Las áreas desordenadas u oscuras pueden provocar accidentes.
- **Diariamente antes del uso, inspeccione la herramienta y corrija cualquier problema antes de utilizarla para reducir el riesgo de lesiones y evitar daños en el producto.** De encontrar algún problema, no utilice esta herramienta hasta que se repare. Si no se siguen estos pasos, aumenta el riesgo de lesiones.
- **Una configuración adecuada es fundamental para minimizar el riesgo durante el uso.** Configure la herramienta y el área de trabajo de acuerdo con estos procedimientos para reducir el riesgo de lesiones.
- **Se deben seguir las instrucciones de este manual para reparar esta herramienta y utilizar solo repuestos idénticos.** El uso de piezas no autorizadas o el incumplimiento de las instrucciones aumentan el riesgo de lesiones o daños en la herramienta.
- **Solo técnicos calificados deben realizar el servicio de la herramienta.** El servicio o mantenimiento hecho por personal no calificado puede provocar riesgo de lesiones.

## Información de seguridad específica de la herramienta

### ⚠️ ADVERTENCIA



Antes de operar esta herramienta, lea y comprenda lo siguiente:

- Este manual del operador
- Las instrucciones para cualquier otro equipo o material utilizado con esta herramienta
- Las marcas en la herramienta
- Los procedimientos de seguridad obligatorios en el lugar de trabajo

Si no sigue todas las instrucciones y advertencias, podrían producirse lesiones graves.

#### GUARDE TODAS LAS ADVERTENCIAS Y LAS INSTRUCCIONES PARA REFERENCIA FUTURA.

- **Mantenga los dedos, las manos y otras partes del cuerpo alejadas de la curvadora, los accesorios y las piezas móviles.** Es posible que si alguna parte del cuerpo queda atrapada entre el accesorio o entre estos componentes y cualquier otro objeto reciba golpes, sea aplastada, fracturada o amputada.
- **No curve ningún EMT de aluminio.** El conducto puede romperse y provocar lesiones graves.
- **No se pare en línea directa con la barra de seguimiento, el ariete hidráulico o el conducto mientras realiza el curvado.** La curvadora está sometida a una presión alta durante su uso y posiblemente puede romperse y despedir piezas lo cual puede originar una lesión grave.
- **No altere este producto de ninguna manera ni adjunte herramientas que no estén especificadas en este manual.** Si utiliza esta curvadora con accesorios y equipos distintos a los especificados podría originarse una situación peligrosa.
- **El aceite de alta presión puede atravesar la piel fácilmente y esto podría causar una lesión grave, gangrena o la muerte.** No utilice las manos para verificar si hay fugas. Manténgase alejado de los componentes presurizados. Despresurice el sistema hidráulico antes de tocar la manguera o los accesorios. Si resulta herido, busque inmediatamente atención médica para eliminar el aceite.
- **Use solo mangueras, acoples y accesorios Greenlee en buenas condiciones de funcionamiento con una clasificación adecuada de la herramienta.** No modifique los productos del diseño original. El equipo desgastado, dañado o clasificado inadecuadamente puede fallar y provocar una lesión personal grave.

- **Use una combinación adecuada de accesorios para el tamaño de conducto específico.** Los curvados serán incorrectos y podrían originarse lesiones o dañar la herramienta.
- **Utilice la herramienta y los accesorios adecuados para su aplicación.** La herramienta adecuada hará mejor el trabajo, de manera más segura y a la velocidad para la cual está diseñada. El uso de la herramienta para operaciones para las que no fue diseñada podría provocar una situación peligrosa.
- **No haga modificaciones a esta herramienta.** Si hace alguna modificación, puede ocasionar lesiones personales y daños a la herramienta.
- **No intente abrir la herramienta.** Contiene piezas que no necesitan mantenimiento por parte del usuario.

## Información de contacto de Greenlee

En caso de que tenga alguna pregunta, necesite coordinar un servicio o comprar piezas o accesorios para este producto de Greenlee/HDE: póngase en contacto con su distribuidor local de Greenlee o con el Centro de Servicio al Cliente de Greenlee.

Puede descargar copias adicionales de este manual en [www.greenlee.com](http://www.greenlee.com)

Servicio al cliente de Greenlee

EE. UU.: 1-800-435-0786 | Canadá: 800-435-0786

Internacional: +1-815-397-7070

[GRNCustomerService@emerson.com](mailto:GRNCustomerService@emerson.com)

Dirección de envío:

Greenlee Factory Service Center

4411 Boeing Dr., Rockford, IL 61109

## Descripción de la herramienta

La curvadora hidráulica 881GX Cam Track® es una curvadora que se puede utilizar para curvar conductos rígidos, IMC y EMT de 2-1/2 in-4 in. Esta curvadora puede montarse y utilizarse en la mesa de curvado móvil (MBT) Greenlee o puede utilizarse sobre el piso. Consulte el catálogo para ver las configuraciones disponibles.

### Características

Grupos de zapatas de 90° exclusivos compuestos de una zapata, una barra de seguimiento y un soporte.

Yugo extendido para reducir el tiempo de cambio de los accesorios.

Barras de seguimiento más livianas para optimizar la ergonomía del usuario.

Pasadores de resorte para reducir la cantidad de clavijas de enganche utilizadas.

Mesas de curvado

## Especificaciones

**Capacidades de curvado:**..... Acero rígido, IMC y EMT de 2-1/2 in, 3 in, 3-1/2 in y 4 in  
 Aluminio rígido de 2-1/2 in, 3 in, 3-1/2 in y 4 in  
 Acero inoxidable rígido de 2-1/2 in y 3 in  
 Tubo calibre 40 de 2-1/2 in, 3 in, 3-1/2 in y 4 in  
 No utilice la herramienta para curvar un EMT de aluminio

**Dimensiones de la caja de almacenamiento (A x L x A):**..... 25 in x 60 in x 24 in (63,5 cm x 152,4 cm x 60,96 cm)

**Peso del conjunto de la curvadora y accesorios en la caja de almacenamiento:** ..... 882 lb (400 kg)

**Peso de la zapata de curvado\*:** ..... 2 ½ in – 35 lb (16 kg)  
 3 in – 54 lb (25 kg)  
 3 ½ in – 71 lb (32 kg)  
 4 in – 87 lb (39 kg)

**Peso de la barra de seguimiento\*:** ..... 2 ½ in – 22 lb (10 kg)  
 3 in – 30 lb (14 kg)  
 3 ½ in – 47 lb (21 kg)  
 4 in – 63 lb (29 kg)

\*Presupuesto del modelo

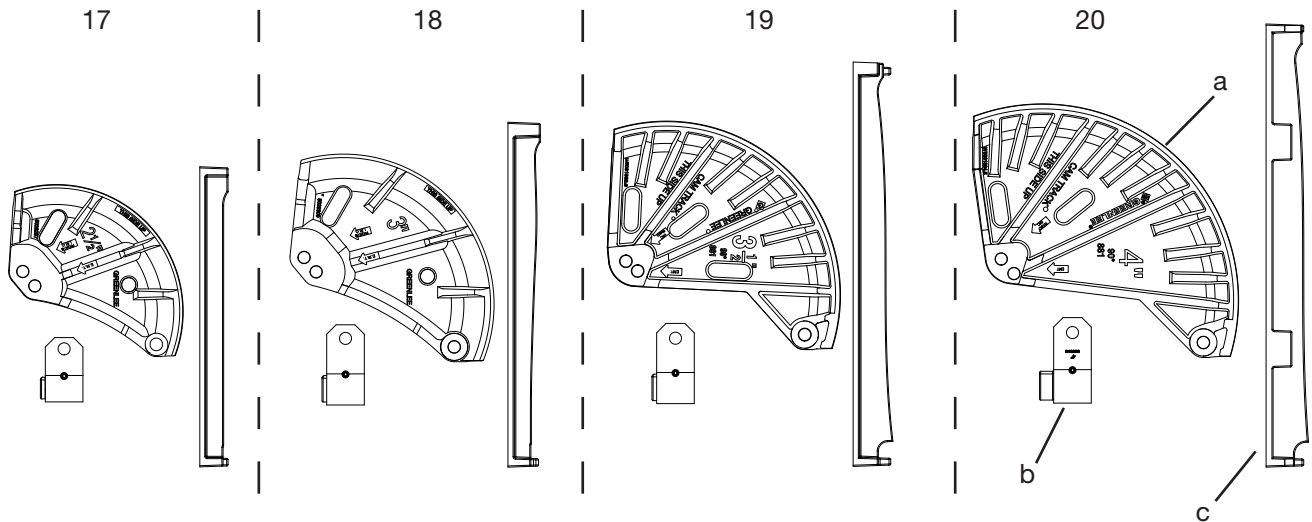
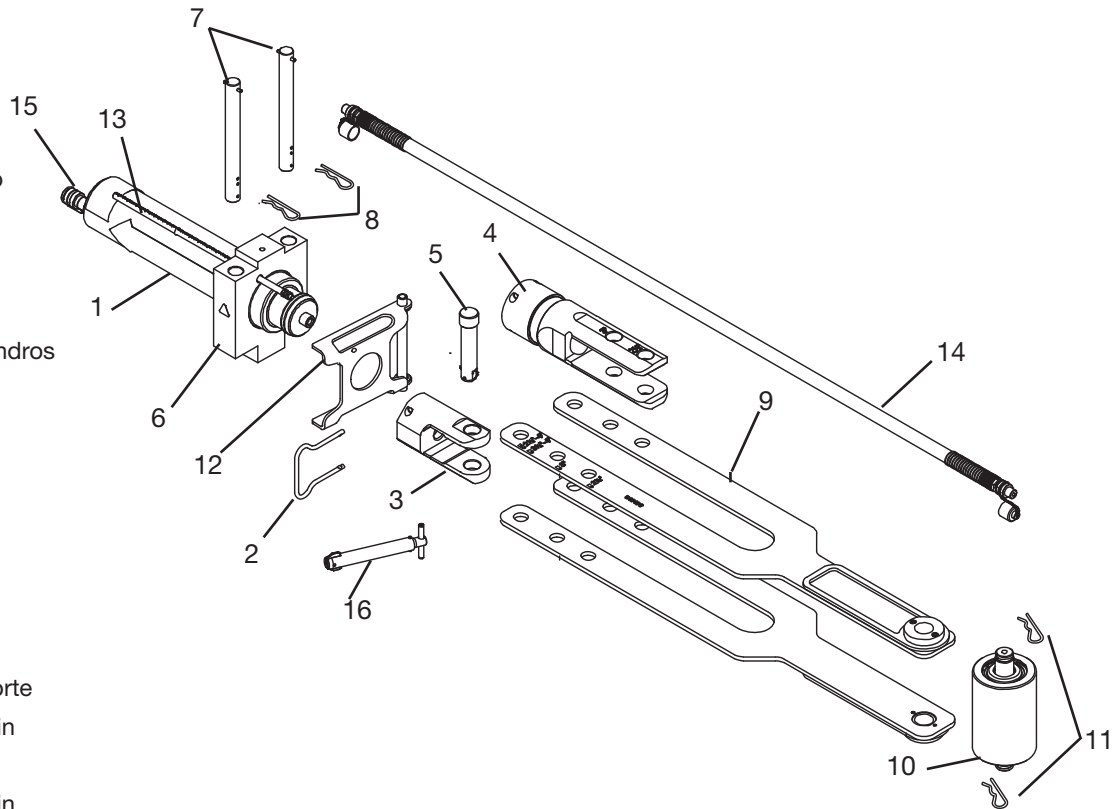
**Acople y manguera recomendados:** ..... Greenlee CAT 11289

**Bomba:** ..... Bomba hidráulica Greenlee capaz de desarrollar 10 000 psi con un volumen de aceite utilizable de 6 cuartos de galón o más, como por ejemplo las bombas Greenlee serie 980.

**Todas las especificaciones son nominales y pueden cambiar a medida que se introduzcan mejoras en el diseño.**

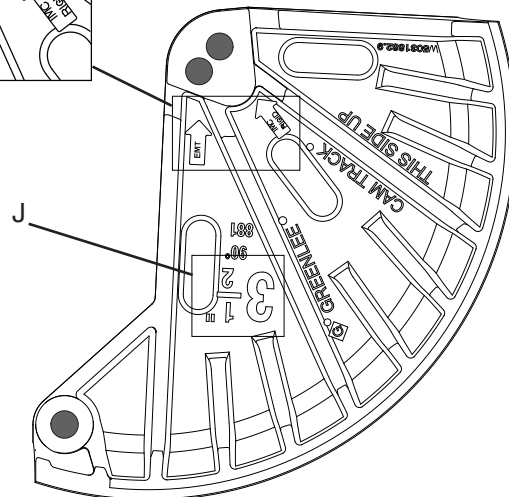
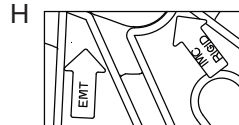
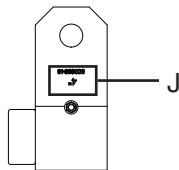
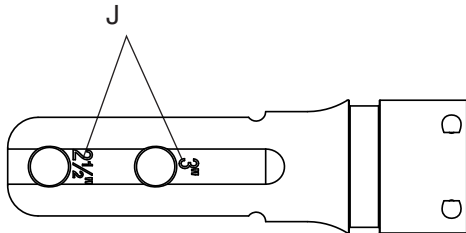
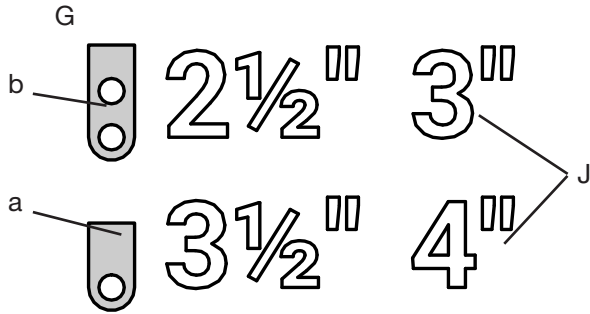
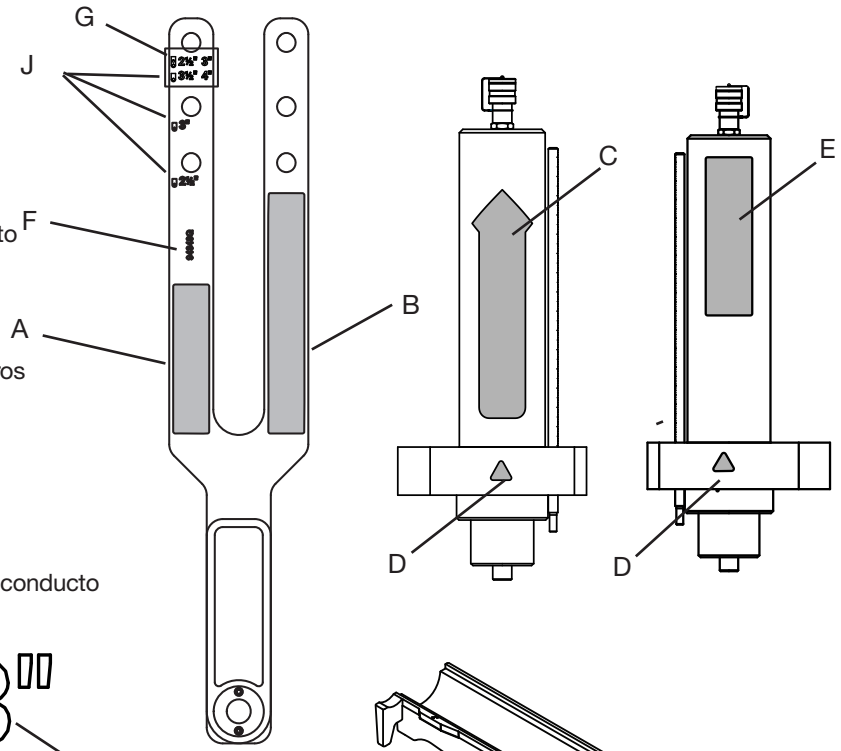
**Identificación de la herramienta**

1. Ariete
2. Sujetador de resorte
3. Yugo
4. Yugo extendido
5. Pasador de resorte del yugo
6. Bloque de cilindros
7. Pasadores de enganche del bloque de cilindros
8. Chaveta de pasador de enganche del bloque de cilindros
9. Horquillas de conexión
10. Rodillo
11. Chaveta de pasador de enganche del rodillo
12. Soporte del pistón
13. Escala del ariete
14. Manguera hidráulica
15. Acople hidráulico
16. Pasador de resorte del soporte
17. Grupo de zapatas de 2-1/2 in
18. Grupo de zapatas de 3 in
19. Grupo de zapatas de 3-1/2 in
20. Grupo de zapatas de 4 in
  - a. Zapata de curvado
  - b. Soporte
  - c. Barra de seguimiento



**Autoadhesivos, marcas y ubicaciones**

- A. Autoadhesivos de las mesas del desplazamiento del ariete
- B. Autoadhesivo de las mesas de marca de curvado
- C. Autoadhesivo del logo de Greenlee
- D. Autoadhesivo de peligro de aplastamiento
- E. Autoadhesivo de advertencia
- F. Número de catálogo de la horquilla de conexión
- G. Marcas de posición del bloque de cilindros
  - a. Marca del yugo
  - b. Marca del yugo extendido
- H. Marca del tipo de conducto de zapata
- I. Marca de "START" (inicio) de la barra de seguimiento
- J. Marcas de identificación del tamaño del conducto





## Inspección previa a la operación

### ⚠ ADVERTENCIA



- **Diariamente antes del uso, inspeccione la herramienta y corrija cualquier problema antes de utilizarla para reducir el riesgo de lesiones y evitar daños en el producto.** De encontrar algún problema, no utilice esta herramienta hasta que se repare. Si no se siguen estos pasos, aumenta el riesgo de lesiones.
- **El aceite de alta presión puede atravesar la piel fácilmente y esto podría causar una lesión grave, gangrena o la muerte. No use las manos para verificar si hay fugas. Manténgase alejado de los componentes presurizados.** Despresurice el sistema hidráulico antes de desconectar la manguera o los accesorios o cuando realice el servicio. Si resulta herido, busque inmediatamente atención médica para eliminar el aceite.

1. Despresurice y desconecte la bomba antes de inspeccionar la curvadora. Inspeccione visualmente el sello del pistón de la curvadora, los accesorios y los conectores de la manguera para verificar que no haya fugas de líquido hidráulico. Si hay líquido, no utilice la curvadora y envíela al servicio técnico.
2. Limpie el aceite, la grasa o suciedad que puedan tener las piezas y accesorios de la curvadora. Esto ayuda durante la inspección y evita que se pierda el control de la herramienta. Limpie y mantenga la herramienta siguiendo las instrucciones de mantenimiento.
3. Revise si hay daño o desgaste antes de utilizarla. No utilice esta herramienta si alguna de sus partes está desgastada, corroída o agrietada.
4. Compruebe que el ensamble sea correcto y esté completo, no la utilice si faltan piezas o están desalineadas. Un artículo dañado, desgastado o mal ensamblado podría romperse y ocasionar que los fragmentos sean lanzados al aire.
5. Verifique la existencia y el estado de las advertencias y los autoadhesivos.
6. Inspeccione cualquier otro equipo y accesorios del sistema de curvado de acuerdo con los manuales de instrucción.

Si utiliza el yugo extendido, inspeccione el ariete y confirme si está instalado el soporte del pistón (Fig. 1). No realice curvados con el yugo extendido si el soporte del pistón no está instalado. Un ariete sin soporte puede desplazarse durante el curvado, lo que puede ocasionar curvados deficientes y dañar la herramienta, aumentando el riesgo de rotura de piezas además de lesiones.

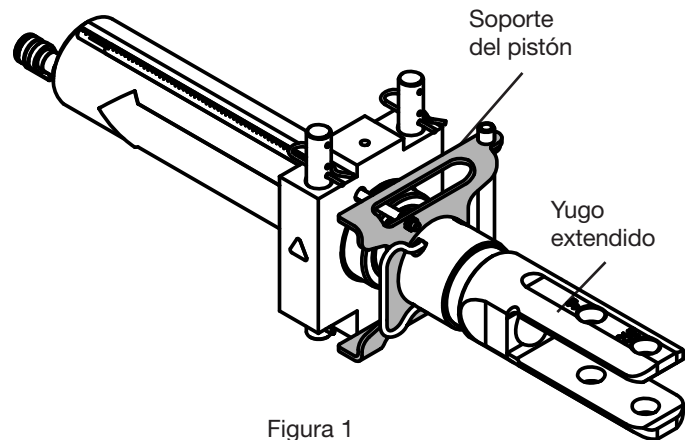


Figura 1

Si encuentra algún problema, no lo utilice hasta tanto se haya resuelto el problema. Si no se siguen estas instrucciones, se aumenta el riesgo de lesiones.

## Configuración y funcionamiento de la herramienta\*

### ⚠ ADVERTENCIA



- **No se pare en línea directa con la barra de seguimiento, el ariete hidráulico o el conducto mientras realiza el curvado.** La curvadora está sometida a una presión alta durante su uso y posiblemente puede romperse y despedir piezas lo cual puede originar una lesión grave.
- **Mantenga los dedos, las manos y otras partes del cuerpo alejadas de la curvadora, los accesorios y las piezas móviles.** Es posible que si alguna parte del cuerpo queda atrapada entre el accesorio o entre estos componentes y cualquier otro objeto reciba golpes, sea aplastada, fracturada o amputada.
- **No curve ningún EMT de aluminio.** El conducto puede romperse y provocar lesiones graves.
- **Algunas piezas y accesorios de esta herramienta son pesados.** Utilice técnicas de elevación adecuadas para reducir el riesgo de lesiones.
- **Use una combinación adecuada de accesorios para el tamaño de conducto específico.** Los curvados serán incorrectos y podrían originarse lesiones o dañar la herramienta.
- **Una configuración adecuada es fundamental para minimizar el riesgo durante el uso.** Configure la herramienta y el área de trabajo de acuerdo con estos procedimientos para reducir el riesgo de lesiones.
- **Una persona debe controlar el proceso de trabajo y el funcionamiento de la máquina.** Cuando la máquina está funcionando solo el operador debe estar en el área de trabajo. Esto ayuda a reducir el riesgo de lesiones.
- **Manténgase alerta, observe lo que está haciendo y utilice el sentido común al operar la curvadora.** No utilice la curvadora si está cansado o bajo la influencia de medicamentos, alcohol o drogas. Un momento de descuido mientras opera herramientas eléctricas podría provocar lesiones graves.
- **El aceite de alta presión puede atravesar la piel fácilmente y esto podría causar una lesión grave, gangrena o la muerte. No use las manos para verificar si hay fugas. Manténgase alejado de los componentes presurizados.** Despresurice el sistema hidráulico antes de tocar la manguera o los accesorios. Si resulta herido, busque inmediatamente atención médica para eliminar el aceite.

Cuando la curvadora 881 se vaya a utilizar sobre el piso, siga estos pasos para la configuración y el funcionamiento. Consulte el manual de instrucciones **Mesa de curvado móvil para la curvadora hidráulica 881** para obtener información sobre el montaje de la MBT y el funcionamiento.

1. Revise el área de trabajo para comprobar lo siguiente:
  - Iluminación adecuada
  - Un lugar limpio, nivelado, estable y seco para todos los equipos, y espacio para que el operador trabaje cómodamente y de acuerdo con las instrucciones de operación de la herramienta para reducir el riesgo de lesiones.
  - Un sitio de trabajo marcado claramente o fácilmente reconocible para evitar que las personas ingresen al área mientras se está utilizando la herramienta. Las barreras o los conos alrededor de los sitios de trabajo son maneras de hacer esto.
2. Inspeccione el trabajo que se debe hacer. Determine qué zapata, barra de seguimiento y soporte son necesarios para el tamaño y tipo de conducto. Si no se utiliza la zapata, la barra de seguimiento y el soporte correctos se obtienen curvados de baja calidad y aumenta el riesgo de daño de la herramientas además de las lesiones.
3. Confirme que se inspeccionó todo el equipo relacionado.
4. Conecte el rodillo a los extremos de la pata simple de las horquillas de conexión, con autoadhesivos y marcas hacia afuera, y asegúrelo con las chavetas de pasador de enganche. (Fig. 2)

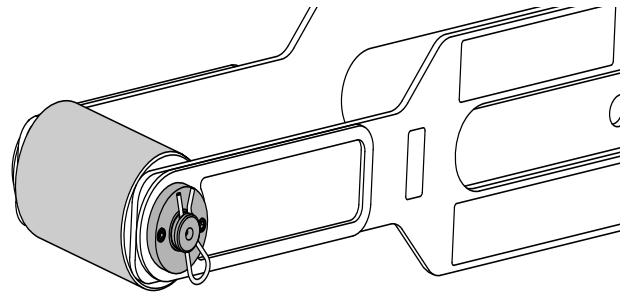


Figura 2

5. Coloque el bloque de cilindros de manera que la escala de ariete quede mirando hacia el piso, luego, deslice el ariete entre las horquillas de conexión. (Fig. 3)

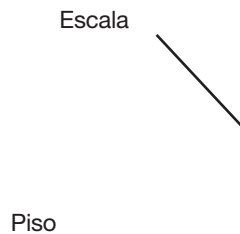


Figura 3



6. Alinee los orificios del bloque de cilindros con la posición adecuada para el tamaño del conducto y el yugo. (Fig. 4) Preste atención a las marcas en las horquillas de conexión, si el bloque de cilindros está en la posición incorrecta, el ariete podría extenderse excesivamente y dañar la herramienta.
  - El yugo se utiliza para conductos de 2-1/2 in- 4 in y el bloque de cilindros debe colocarse en la posición marcada para el tamaño del conducto.
  - El yugo extendido solo se utiliza para conductos de 2-1/2 in y 3 in y el bloque de cilindros debe colocarse en la posición superior.

TAMAÑO DEL CONDUCTO	CONEXIONES DEL BLOQUE DE CILINDROS Y DEL YUGO-ZAPATA	
2-1/2 in		
3 in		
3-1/2 in		
4 in		

Figura 4

7. Coloque un pasador de resorte al yugo adecuado en el pistón del ariete. (Fig. 5) Para curvar un conducto de 3-1/2 in y 4 in luego de utilizar el yugo extendido, cambie el yugo y deje el bloque de cilindros en la posición superior.

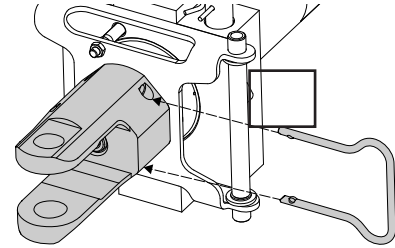


Figura 5

8. Inserte el enganche del bloque de cilindros desde el lateral conde el bloque de cilindros se extiende hacia afuera de las horquillas de conexión. (Fig. 6)

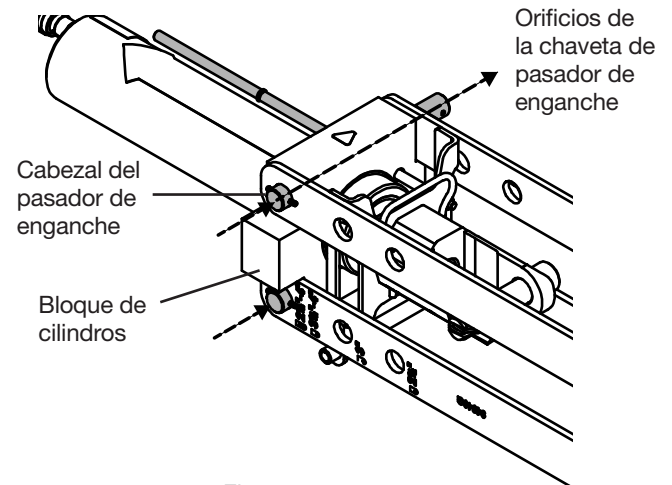


Figura 6

9. Mientras mantiene el cabezal del pasador de enganche apretado contra la cara de la horquilla de conexión, inserte el sujetador en el orificio más cercano a la cara de la horquilla de conexión opuesta. Repita el paso con el segundo pasador. (Fig. 7)

Para el cambio

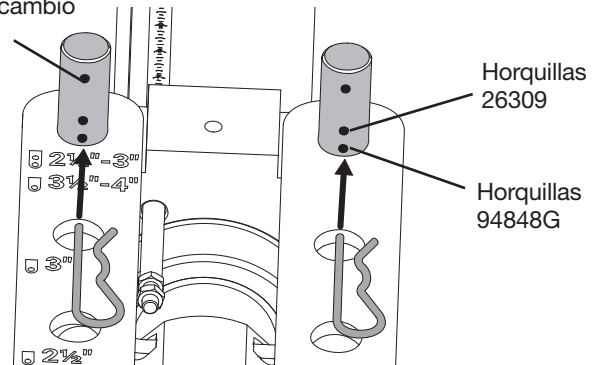


Figura 7

10. Gire la curvadora montada sobre el bloque de cilindros para que las chavetas de pasador de enganche y la escala de ariete queden orientadas hacia arriba (Fig. 8). El bloque de cilindros está diseñado para nivelar el cilindro de la curvadora mientras se realiza el curvado sobre el piso.

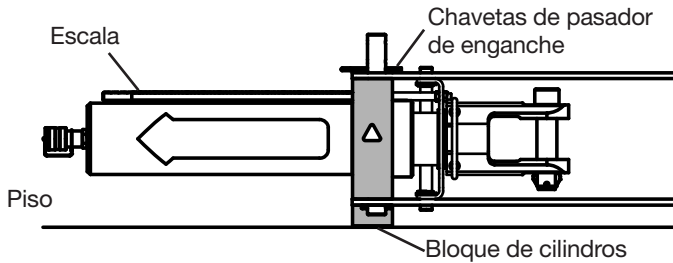


Figura 8

11. Disponga la zapata entre las horquillas de conexión para que la conexión del soporte quede hacia la izquierda. Alinee el yugo con la conexión rígida/IMC o EMT en la zapata dependiendo del tipo de conducto que se curvará. Inserte el pasador del yugo a través del yugo y la zapata hasta que las palancas se extiendan por completo en el otro lateral. (Fig. 9)

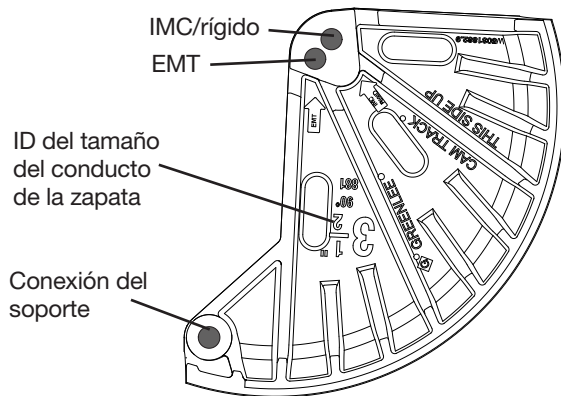


Figura 9

12. Con las orejas giradas hacia el ariete, inserte el extremo con la leyenda "START" (inicio) de la barra de seguimiento desde la derecha de las horquillas de conexión sobre el rodillo. (Fig. 10)

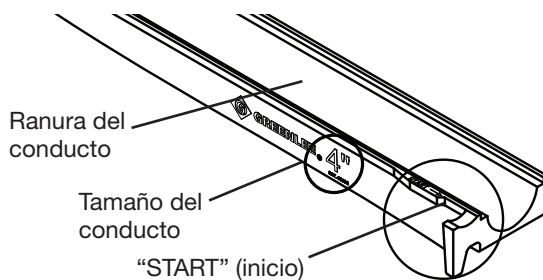


Figura 10

13. Una vez que el extremo con la leyenda "START" (inicio) pasa el rodillo, gire la barra de seguimiento para que la ranura del conducto esté orientada hacia el ariete y las orejas de la barra de seguimiento toquen el piso. (Fig. 11)

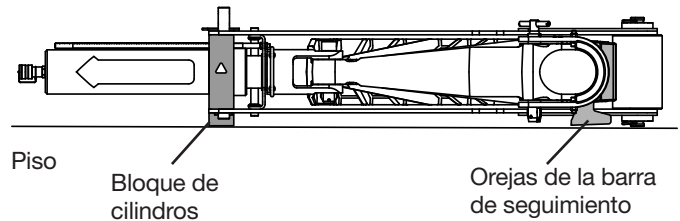


Figura 11

Para cambiar a otros grupos de zapatas, retire las chavetas de pasador de enganche del bloque de cilindros, según sea necesario, y coloque en el orificio exterior del pasador de enganche (Fig. 7). Levante la horquilla de conexión lo suficiente como para que pueda pasar la barra de seguimiento.

Vuelva a colocar las chavetas de pasador de enganche en los orificios adecuados para el curvado. No realice el curvado sin tener instaladas las chavetas de pasador de enganche; puede obtener curvados de mala calidad y daño de la herramienta.

14. Prepare el conducto marcando los curvados siguiendo las instrucciones en la sección Aspectos básicos del curvado de este manual.
15. Verifique que el conducto, la zapata y las ranuras de la barra de seguimiento estén limpios. Los residuos en las superficies de curvado aumentan el riesgo de arrugamiento o pliegues del conducto y puede originar daño en las ranuras de la zapata y de la barra de seguimiento.
16. Introduzca el conducto en la curvadora. Empuje el conducto para que el extremo pase el orificio al menos por unas pocas pulgadas.
17. Disponga el soporte alrededor del conducto en la parte delantera de la zapata con el borde del soporte orientado hacia afuera de la barra de seguimiento. Inserte el pasador del soporte de un lado al otro de la zapata y los orificios del soporte hasta que las palancas se extiendan por completo.
18. Ajuste el soporte y la zapata para que el borde trasero entre en contacto con la barra de seguimiento. (Fig. 12)
19. Ajuste el conducto para que la marca de curvado adec-

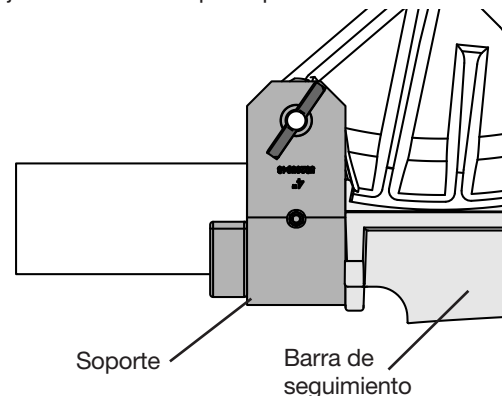


Figura 12

uada quede alineada con el borde del soporte. Consulte **Aspectos básicos del curvado** para obtener más instrucciones sobre el marcado de un conducto.

20. Coloque una bomba hidráulica Greenlee serie 900 al lado de la curvadora sobre el piso, de modo que la parte delantera de la bomba esté orientada al operador.
21. Coloque el extremo libre de la manguera desde el ariete al acople de la bomba, asegúrese de que el acople esté bien atornillado para garantizar un funcionamiento adecuado del ariete. Las conexiones incompletas podrían impedir que el ariete se retraiga después de terminar el curvado.
22. Colóquese en una posición de operación adecuada, alejado del conducto o del ariete y donde pueda ver con claridad la escala de la curvadora y la bomba. (Fig. 14)
23. Ajuste sin forzar el conducto haciendo avanzar el ariete de acuerdo con las instrucciones de la bomba. El conducto estará ajustado sin forzar cuando la zapata, el conducto y la barra de seguimiento estén ajustadas. Detenga la bomba antes de que el conducto se comience a curvar.
24. Mueva la junta tórica de la escala a la posición Z. Consulte la sección **Calcular el recorrido del ariete** para ver las ecuaciones y tablas.
25. Monitoree el proceso de curvado. Haga avanzar el ariete a la posición Z. El curvado se completa cuando la junta tórica llega a la parte superior del bloque de cilindros. Aléjese de la línea del conducto y del ariete mientras la curvadora esté en movimiento.
26. Una vez completo el curvado, haga funcionar la bomba, de acuerdo con las instrucciones para retraer el ariete a la posición de arranque para el próximo curvado.
27. Retire de la curvadora el pasador del soporte, el soporte y el conducto. Comprima las palancas y extraiga el yugo y los pasadores del soporte para desconectar los accesorios. (Fig. 15)
28. Inspeccione el curvado acabado.

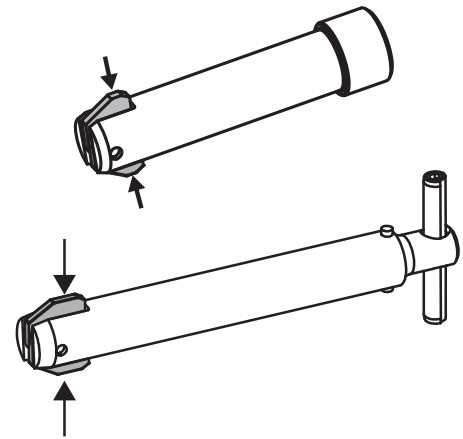


Figura 15

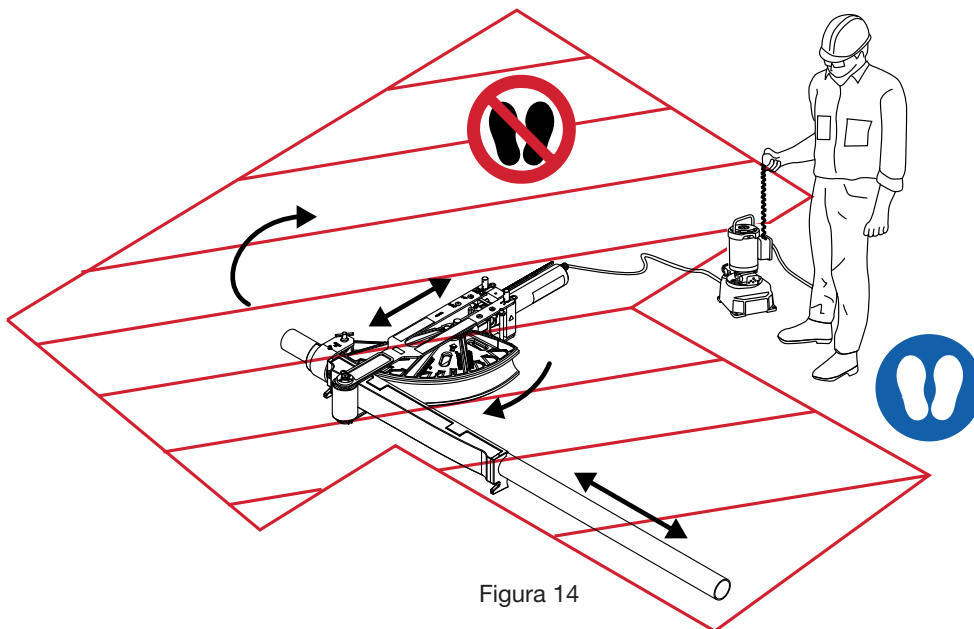


Figura 14

## Calcular el recorrido del ariete para el ángulo de curvatura

Una vez que se ajusta sin forzar el conducto, el ariete debe recorrer una distancia particular para lograr el ángulo de curvatura deseado (Tabla 1). Se utiliza una junta tórica de caucho en la escala del ariete para indicar la posición en la que se obtiene el ángulo de curvatura. Utilice las indicaciones a continuación para determinar dónde colocar la junta tórica de caucho en la escala del ariete.

1. Ajuste sin forzar la curvadora haciendo avanzar el ariete hasta que la zapata, el conducto y la barra de seguimiento estén ajustados. El conducto no debería girarse entre el soporte y la manguera.

2. Calcular  $Z = X + Y$

Z = posición de detención en la escala del ariete según X e Y.

X = lectura de la escala en la posición de ajuste sin forzar.  
Halle X mirando dónde se encuentran la escala y la parte superior del bloque de cilindros.

Y = recorrido del ariete de la tabla 1. Esta es la distancia que el ariete debería recorrer para lograr el ángulo de curvatura deseado para un tamaño de conducto específico.

3. Mueva el anillo de caucho a la posición Z calculada. (Fig. 16)

4. Haga avanzar el ariete a la posición Z. Monitoree el curvado y deténgalo cuando el anillo de caucho toque la parte superior del bloque de cilindros. (Fig. 17)

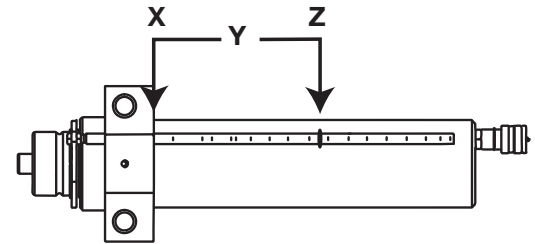


Figura 16

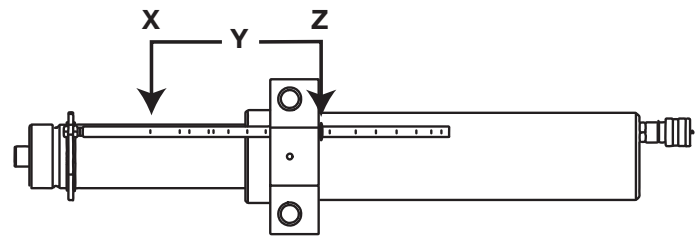


Figura 17

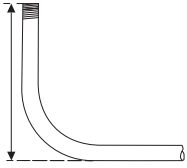
*\*Esta tabla muestra la distancia (Y) que debe recorrer el ariete para realizar un curvado. Estos números no significan la posición final ubicada en la escala.*

<b>TABLA 1 RECORRIDO DEL ARIETE* - "Y"</b> (LOS VALORES SON APROXIMADOS)				
<b>ÁNGULO DE CURVATURA</b>	<b>EMT (TAMAÑO COMERCIAL DEL CONDUCTO - in)</b>			
	<b>2-1/2</b>	<b>3</b>	<b>3-1/2</b>	<b>4</b>
<b>10°</b>	13/16	15/16	1	7/8
<b>15°</b>	1-1/16	1-5/16	1-3/8	1-3/8
<b>30°</b>	2	2-7/16	2-3/8	2-7/16
<b>45°</b>	2-15/16	3-11/16	3-3/8	3-5/8
<b>60°</b>	3-13/16	4-13/16	4-3/8	4-7/8
<b>90°</b>	5-5/16	6-13/16	6-11/16	7-1/4
<b>ÁNGULO DE CURVATURA</b>	<b>IMC (TAMAÑO COMERCIAL DEL CONDUCTO - in)</b>			
	<b>2-1/2</b>	<b>3</b>	<b>3-1/2</b>	<b>4</b>
<b>10°</b>	1-1/8	1-3/16	1-1/16	1-3/16
<b>15°</b>	1-9/16	1-11/16	1-1/2	1-13/16
<b>30°</b>	2-7/8	3-1/4	3	3-3/16
<b>45°</b>	4-5/16	5	4-3/8	4-13/16
<b>60°</b>	5-13/16	6-3/4	5-13/16	6-7/16
<b>90°</b>	8-1/8	9-5/8	8-13/16	9-11/16
<b>ÁNGULO DE CURVATURA</b>	<b>RÍGIDO (TAMAÑO COMERCIAL DEL CONDUCTO - in)</b>			
	<b>2-1/2</b>	<b>3</b>	<b>3-1/2</b>	<b>4</b>
<b>10°</b>	1-1/16	1-3/16	1	1-1/16
<b>15°</b>	1-1/2	1-11/16	1-1/2	1-11/16
<b>30°</b>	2-7/8	3-5/16	2-7/8	3-3/16
<b>45°</b>	4-1/4	5	4-1/4	4-13/16
<b>60°</b>	5-5/8	6-11/16	5-3/4	6-7/16
<b>90°</b>	8-1/8	9-9/16	8-3/4	9-11/16

## Aspectos básicos del curvado

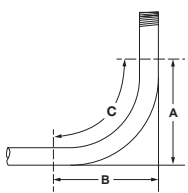
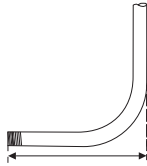
Los siguientes planos, instrucciones y tablas de curvado intentan proporcionar la información necesaria para configurar los tipos de curvaturas más comunes. Las “tablas de curvado especial” en la parte posterior de este manual, contienen mediciones precisas que se utilizan para hallar las marcas para las curvaturas más comunes. Algunos tipos de curvaturas tienen sus propias tablas que proporcionan números para hallar las marcas de curvaturas. A continuación se presentan los términos más comunes que se utilizan para el curvado.

### Glosario



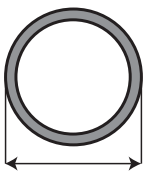
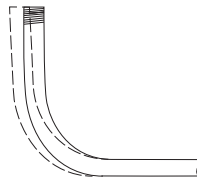
**Elevación del codo:** La distancia desde el extremo de la sección vertical del conducto o tubo hasta la curvatura; medida desde el extremo hasta la línea central, borde interno, o borde externo del conducto o tubo.

**Longitud de la pata:** la distancia desde el extremo de la sección horizontal del conducto o tubo hasta la curvatura; medida desde el extremo a la línea central, borde interno, o borde externo del conducto o tubo.



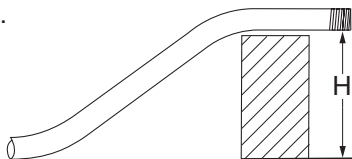
**Ganancia:** la diferencia entre las distancias del ángulo recto A y B y la distancia más corta C. Dado que el tubo se curva en un radio y no en ángulos rectos, la longitud del tubo necesaria para una curvatura no equivaldrá a la longitud total determinada.

**Resistencia al plegado:** la cantidad, medida en grados, que un conducto o tubo tiende a enderezarse luego de liberar la presión en el ariete de la curvadora. Por ejemplo, una curvatura de 90°, una vez liberada la presión, se resistirá al plegado por alrededor de dos grados – a 88°.

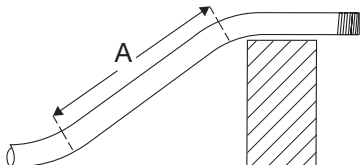


**D.E.:** el tamaño de cualquier parte de un conducto o tubo medido por su diámetro externo.

**Altura/profundidad de desviación:** la distancia en la que el conducto o tubo puede volver a enrutarse para evitar una obstrucción.



**Distancia de centro a centro:** la distancia entre las curvaturas sucesivas que conforman una desviación o un soporte de tres curvaturas.



**Ajuste sin forzar:** el proceso de afirmar el conducto entre la zapata y el soporte haciendo avanzar el ariete lo suficiente como para mantener el conducto en el lugar, pero no lo suficiente como para iniciar el curvado.

**Recorrido del ariete:** la distancia que el ariete de la curvadora hidráulica debe recorrer para alcanzar un ángulo de curvatura específico.

**Longitud desarrollada/determinada:** la longitud real del tubo que será curvado.

**Mín. longitud del codo:** un codo debe ser igual o más grande que este número para evitar aplastamiento del rosca-do y curvaturas de mala calidad.

**Deducción:** un número calculado que representa una ganancia mientras se realiza el curvado. Este número es específico del tamaño y tipo de conducto que se está curvando.

**Ángulo de curvatura:** el ángulo de curvatura esperado.

**Desviación:** una curvatura, generalmente menor que 45°, que se realiza para cambiar la orientación de una sección del tubo.

**Línea central:** la línea imaginaria que se encuentra en el centro del conducto.

**Radio de curvatura:** el radio medido desde donde se ubica el centro de la curvatura. Este es un número fijo que se basa en la zapata de curvado.

**Curvaturas de ángulo muy pronunciado/variación de velocidad:** una curvatura, generalmente no mayor que 45°, que se realiza para cambiar la orientación de una sección del tubo no sobre el mismo plano.

**Curvaturas de barrido grande:** cualquier curvatura que excede el radio de las zapatas de curvado de 90° de un movimiento suministrado con curvadoras eléctricas hidráulicas de un movimiento.

**Retorno:** cuando se realiza una curvatura de 90° con una longitud (o elevación) de pata definida, el centro de la curvatura debe localizarse cuando se utilizan ciertas curvadoras. Para hacer esto, primero mida la longitud de la pata desde el extremo de la sección recta del tubo. Luego, “retorne” a 1/2 la ganancia para localizar el centro de la curvatura.

**Indicador de grado:** este es un instrumento diseñado para indicar el grado exacto de curvatura mientras se está realizando.

**Transportador:** fabricado para utilizarlo con las curvadoras montadas en la mesa de curvado. Mide grados; también tiene una escala para las curvaturas de 18°, 20°, 21° y 22° cuando se utilizan para realizar una curvatura de barrido mayor.

**Curvatura de segmento:** cualquier curvatura formada por una serie de curvaturas de pocos grados, en vez de una curvatura individual en un movimiento.

## Cómo realizar una curvatura

1. Configure la curvadora hidráulica 881 de acuerdo con las instrucciones en este manual y utilice los accesorios específicos del conducto que se va a curvar.
2. Observe el sitio de trabajo y seleccione el tamaño y el tipo de conducto. El conducto determina qué conjunto de números de la tabla se utilizan para hallar las marcas de curvatura.
3. Determine la altura del codo (A) y el ángulo de curvatura. (Fig. 18) Estos números determinan los números adecuados necesarios de las tablas de curvado. Los distintos tipos de curvaturas utilizan diferentes tablas y variables. Siga las instrucciones para el tipo de curvatura para saber qué variables se necesitan.

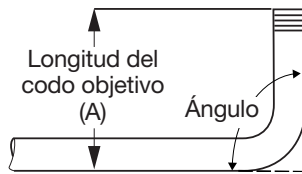


Figura 18

4. Marque el conducto siguiendo las instrucciones para el tipo de curvatura y utilizando las tablas adecuadas. Se utilizan tablas de curvado especiales a menos que se especifique lo contrario.
5. Inserte el conducto entre el soporte y la zapata. Alinee la marca de curvado adecuada con el borde del soporte y asegúrese de que la barra de seguimiento toque la parte posterior del soporte. (Fig. 19)

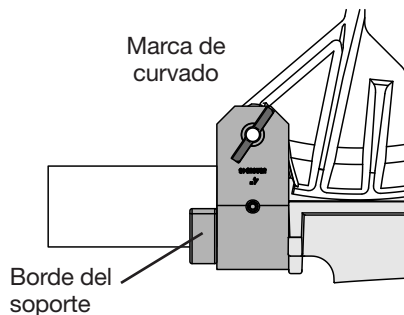


Figura 19

6. Curvadora de ajuste sin forzar. Haga avanzar el ariete hasta que el conducto no pueda girar pero antes de que el conducto esté realmente curvado.
7. Calcule la posición Z (consulte Recorrido del ariete) para obtener el ángulo de curvatura deseado y mueva el anillo de caucho en la escala del ariete para realizar la marca.
8. Haga avanzar el ariete a la posición Z.
9. Retroceda el ariete hasta que se retraiga por completo para liberar el conducto. Retire el conducto y verifique la curvatura.

## Marcas de curvado

### Marcas de curvatura menores que 90°

1. En la tabla de curvado especial adecuada, utilice la altura del codo objetivo (A) y el ángulo para hallar Y. (Fig. 20)
2. Mida la distancia de Y desde el extremo del conducto y coloque la marca de curvado aquí. (Fig. 21)

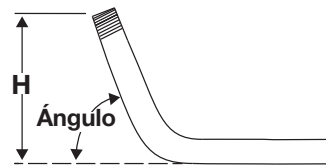


Figura 20

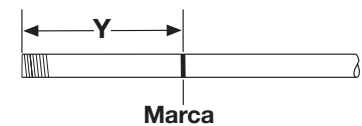


Figura 21

### Marcas de curvatura de 90°

1. Realice la MARCA 1 midiendo la longitud del codo objetivo (A). (Fig. 22)
2. Realice la MARCA 2 midiendo la DEDUCCIÓN (Tabla 2) de la MARCA 1 hacia las roscas. (Fig. 23) La distancia entre la MARCA 2 al extremo del conducto no puede ser menor que la MÍN. LONGITUD DEL CODO.

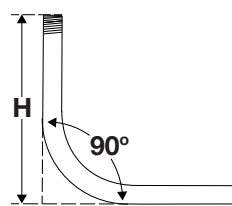


Figura 22

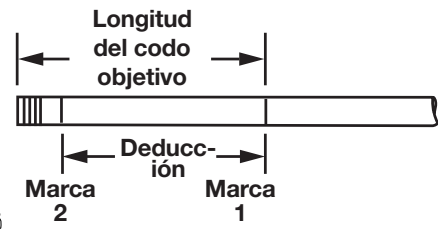


Figura 23

**TABLA 2—MÍN. ALTURA DEL CODO, DEDUCCIÓN (IN)**

TAMAÑO DEL CONDUCTO	2-1/2	3	3-1/2	4
<b>EMT</b>				
DEDUCCIÓN	21-1/2	24	27-3/4	32-1/4
MÍN. DISTANCIA DESDE EL EXTREMO DEL CONDUCTO	24	27	31-1/4	36-1/4
MÍN. ALTURA DEL CODO	2-1/2	3	3-1/2	4
<b>IMC RÍGIDO</b>				
DEDUCCIÓN	21-1/2	24-1/4	28-1/4	32-1/2
MÍN. DISTANCIA DESDE EL EXTREMO DEL CONDUCTO	24	26-3/4	30-3/4	35
MÍN. ALTURA DEL CODO	2-1/2	2-1/2	2-1/2	2-1/2



## Desviaciones

Una desviación se realiza para evitar el bloqueo por obstrucción del tramo del conducto. Para realizar una desviación, se requieren dos curvados iguales en dirección opuesta para crear una elevación que rodeará la obstrucción. Dependiendo de la posición final deseada, las posiciones de la marca se basan en los distintos números de las tablas.

### Desviación de centro a centro (Fig. 24)

1. Seleccione el tamaño y el tipo de conducto. Mida la altura (A) de la obstrucción. Use la columna con una desviación que superará la obstrucción para hallar las mediciones X y A.
2. Realice la MARCA 1 midiendo la distancia desde el extremo del conducto hasta el inicio deseado de la 1.º curvatura.
3. Realice la MARCA 2 en el conducto restando X (Tabla 3) de la MARCA 1.

*La distancia desde la MARCA 2 hasta el extremo del conducto no puede ser menor que la MÍN. DIST. DESDE EL EXTREMO DEL conducto para evitar el aplastamiento de las roscas y curvaturas de mala calidad.*

4. Halle la distancia "A" (Tabla 4). Realice la MARCA 3 en el conducto midiendo esta distancia desde la MARCA 2.
5. Nivele la MARCA 2 con el borde externo del soporte para la 1.º curvatura. Haga avanzar el ariete a la posición Z calculada para el ángulo deseado.
6. Gire el conducto 180°. Alinee la MARCA 3 con el borde externo del soporte para la 2.º curvatura.

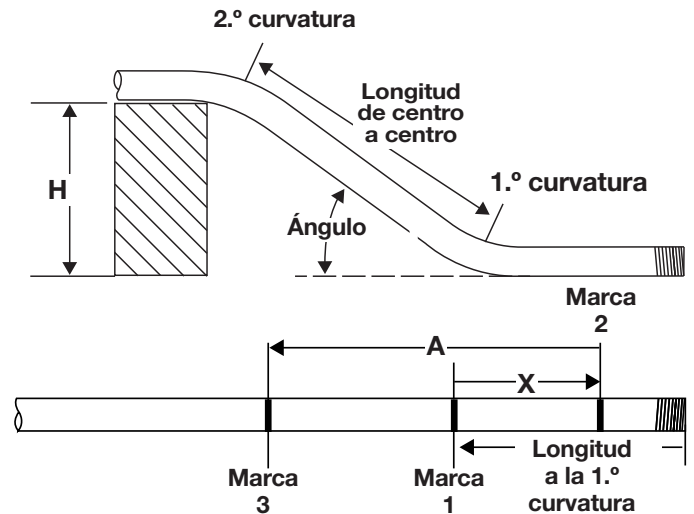


Figura 24

TABLA 3 DISTANCIA "X" (in)					
TAMAÑO DEL CONDUCTO		2-1/2	3	3-1/2	4
EMT	X	6-5/32	5-3/4	6-9/16	8-1/2
	MÍN. DIST. DESDE EL EXTREMO DEL CONDUCTO	2-1/2	3	3-1/2	4
IMC/ RÍGIDO	X	6-5/32	6	7	8-3/4
	MÍN. DIST. DESDE EL EXTREMO DEL CONDUCTO	2-1/2	2-1/2	2-1/2	2-1/2

TABLA 5 MULTIPLICADORES DE "DESVIACIÓN"	
ÁNGULO DE CURVATURA	MULTIPLICADOR
15°	3,86
30°	2
45°	1,4

TABLA 4 DISTANCIA "A"* (in)						
(LOS VALORES SON APROXIMADOS)						
Para las distancias de la desviación que no figuran en esta tabla, calcule "A" multiplicando el multiplicador adecuado (Tabla 5) por la DESVIACIÓN deseada.						
DESVIACIÓN	15°		30°		45°	
	MÁX. DEL CONDUCTO TAMAÑO	A	MÁX. DEL CONDUCTO TAMAÑO	A	MÁX. DEL CONDUCTO TAMAÑO	A
2	3/4	7-3/4				
4	1-1/2	15-7/16	3/4	8		
6	3-1/2	23-3/16	1-1/2	12	1/2	8-1/2
8	4	30-15/16	2	16	1	11-5/16
10	4	38-5/8	3-1/2	20	1-1/4	14-1/8
12	4	46-3/8	4	24	1-1/2	16-15/16
14	4	54-1/16	4	28	2	19-13/16
16	4	61-13/16	4	32	2-1/2	22-5/8
18	4	69-9/16	4	36	3	25-7/16
20	4	77-1/4	4	40	3-1/2	28-1/4
22	4	85	4	44	4	31-1/8

\* Los valores "A" en esta tabla son los mismos para cualquier conducto menor que el máximo. Los valores en gris son solo a modo de referencia. La curvadora 881 no puede curvar conductores menores que 2-1/2 in.

**Desviación sobrepasando una obstrucción (Fig. 25)**

Cuando se trabaja sobrepasando una obstrucción, es necesario determinar la ubicación de la 1.º curvatura (MARCA 1). La distancia de centro a centro se utiliza entonces para hallar la ubicación de la 2.º curvatura (MARCA 2).

1. Busque la tabla de curvado especial para el tamaño y el tipo de conducto. En la tabla busque la fila con el ángulo y la columna con la altura del codo objetivo. Use los números desde donde se relacionan para hallar las marcas de curvado
2. Reste X de la LONGITUD PARA LA 1.º CURVATURA para hallar la posición de la MARCA 1.
3. Mida L1 desde la MARCA 1 y coloque la MARCA 2 aquí.
4. Alinee la MARCA 2 con el borde externo del soporte para la 1.º curvatura.
5. Gire el conducto 180° y alinee la MARCA 1 con el borde externo del soporte para la 2.º curvatura

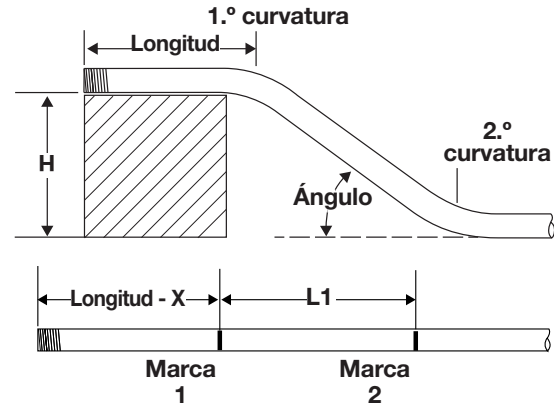


Figura 25

**Desviación trabajando hacia una obstrucción (Fig. 26)**

Cuando se trabaja hacia una obstrucción, es necesario determinar la ubicación de la 2.º curvatura. La distancia de centro a centro se utiliza entonces para hallar la ubicación de la 1.º curvatura.

1. Busque la tabla de curvado especial para el tamaño y el tipo de conducto. En la tabla busque la fila con el ángulo y la columna con la altura del codo objetivo. Use los números desde donde se relacionan para hallar las marcas de curvado
2. Reste Z de la LONGITUD PARA LA 2.º CURVATURA para hallar la posición de la MARCA 2.
3. Mida L1 desde la MARCA 2 y coloque la MARCA 1 aquí.
4. Alinee la MARCA 2 con el borde externo del soporte para la 1.º curvatura.
5. Gire el conducto 180° y alinee la MARCA 1 con el borde externo del soporte para la 2.º curvatura

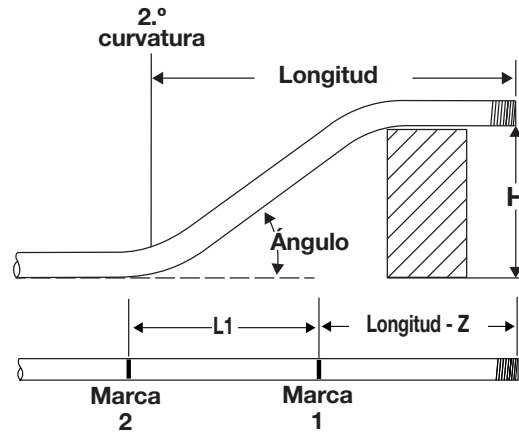


Figura 26

**Curvado contiguo o curvatura en forma de U (Fig. 27)**

Una curvatura en forma de U formada por dos curvaturas de 90 grados paralelas con una sección recta del conducto o tubo entre las curvaturas

1. Seleccione el tamaño y el tipo de conducto. Busque el gráfico que corresponde al tamaño y tipo de conducto seleccionado en las tablas de curvado especial.
2. Determine la ALTURA y la LONGITUD del codo. Seleccione el ángulo para la curvatura.
3. Siga la fila de ÁNGULO de 90° y la columna ALTURA para la curvatura deseada. Utilice las dimensiones Y y L1 de ese casillero.
4. Localice la distancia Y de la MARCA 1 Y del extremo del conducto/roscas.
5. Agregue L1 a la MARCA 1 para encontrar la posición de la MARCA 2.
6. Alinee la MARCA 1 con el borde externo del soporte. Realice una curvatura de 90°.
7. Alinee la MARCA 2, manteniendo el conducto en la misma orientación. Realice una curvatura de 90°.

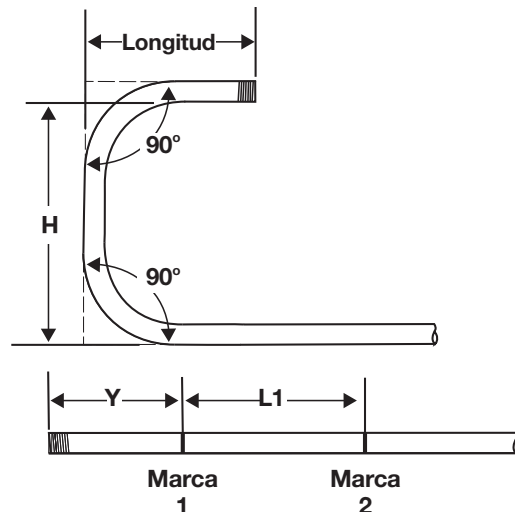


Figura 27



## Curvaturas del soporte

Un soporte genera un puente que evita un bloqueo por obstrucción del tramo del conducto y vuelve a colocar al conducto en el mismo nivel que el tramo original del conducto. Se pueden realizar con tres o cuatro curvaturas

### Soporte de tres curvaturas (Fig. 27)

1. Seleccione el tamaño y el tipo de conducto. Busque el gráfico que corresponde al tamaño y tipo de conducto seleccionado en las tablas de curvado especial.
2. Mida la ALTURA de la obstrucción y la LONGITUD AL CENTRO del soporte. Seleccione un ángulo para las curvaturas externas. La curvatura central será dos veces el ángulo seleccionado. (Es decir,  $22-1/2^\circ \times 45^\circ \times 22-1/2^\circ$ ).
3. Siga la fila **ÁNGULO** y la columna **ALTURA** para la curvatura deseada. Use las dimensiones Z, L1 y L2.
4. Reste Z de la longitud al centro y mida la distancia desde el extremo del conducto/roscas para hallar la **MARCA 1**.
5. Mida la distancia L1 desde la **MARCA 1** para hallar la **MARCA 2**.
6. Mida la distancia L2 desde la **MARCA 2** para hallar la **MARCA 3**.
7. Alinee la **MARCA 1** con el borde externo del soporte para la 1.º curvatura. Realice la curvatura para el ángulo seleccionado.
8. Gire el conducto  $180^\circ$  y alinee la **MARCA 2**. Realice la curvatura dos veces el ángulo seleccionado.
9. Gire nuevamente el conducto  $180^\circ$  y alinee la **MARCA 3**. Realice la curvatura para el ángulo seleccionado.

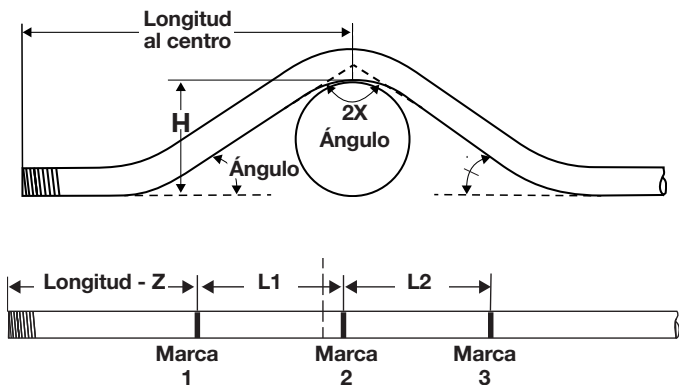


Figura 27

### Soporte de cuatro curvaturas (Fig. 28)

1. Seleccione el tamaño y el tipo de conducto. Busque el gráfico que corresponde al tamaño y tipo de conducto seleccionado en las tablas de curvado especial.
2. Mida la ALTURA de la obstrucción y la LONGITUD DE LA 2.º CURVATURA para la obstrucción y la SECCIÓN RECTA sobre la obstrucción. Seleccione el ángulo para todas las curvaturas.
3. Siga la fila **ÁNGULO** y la columna **ALTURA** para la curvatura deseada. Use las dimensiones Z, L1 y L2.
4. Reste Z desde la longitud al centro y mida esta distancia desde el extremo del conducto/roscas para hallar la **MARCA 1**. Mida la distancia L1 desde la **MARCA 1** para hallar la **MARCA 2**.
5. Mida la distancia L1 desde la **MARCA 1** para hallar la **MARCA 2**.
6. Agregue L2 a la longitud de la sección recta y mida esta distancia desde la **MARCA 2** para hallar la **MARCA 3**.
7. Alinee la **MARCA 1** con el borde externo del soporte. Realice la curvatura para el ángulo seleccionado.
8. Gire el conducto  $180^\circ$  y alinee la **MARCA 2**. Realice la curvatura según el ángulo seleccionado.
9. Alinee la **MARCA 3**, manteniendo el conducto en la misma orientación. Realice la curvatura para el ángulo seleccionado.
10. Gire el conducto  $180^\circ$  y alinee la **MARCA 4**. Realice la curvatura según el ángulo elegido.

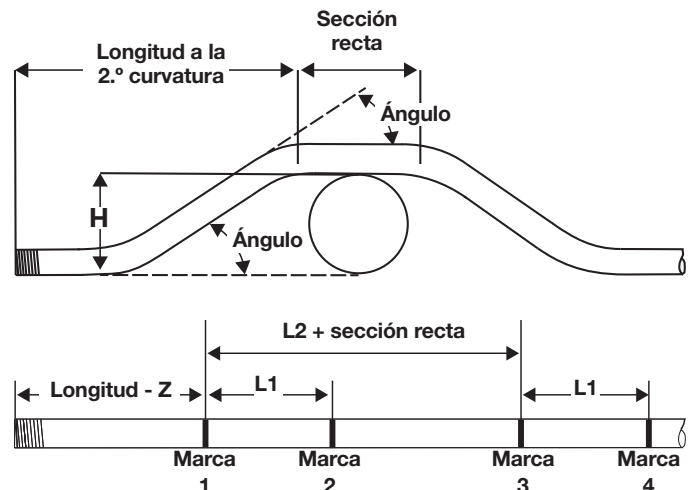


Figura 28

**Tablas de curvado especial (in)**

EMT de 2-1/2 in												Diá. = 2,875	Radio = 13,9	x = 6,15
ÁNGULO	DIM.	ALTURA (H)										ALTURA MÍNIMA		
		10 in	12 in	15 in	18 in	24 in	30 in	36 in	42 in	48 in	60 in			
15°	Y	25,10	32,83	44,42	56,01	79,19	102,38	125,56	148,74	171,92	218,29	2,54		
	L1	38,62	46,34	57,93	69,53	92,71	115,89	139,07	162,25	185,44	231,80			
	L2	42,26	49,98	61,57	73,16	96,35	119,53	142,71	165,89	189,08	235,44			
	Z	47,13	54,59	65,79	76,99	99,38	121,77	144,16	166,56	188,95	233,73			
22,5°	Y	13,46	18,69	26,53	34,37	50,04	65,72	81,40	97,08	112,76	144,12	4,47		
	L1	26,06	31,29	39,13	46,97	62,64	78,32	94,00	109,68	125,36	156,72			
	L2	31,52	36,74	44,58	52,42	68,10	83,78	99,46	115,14	130,82	162,17			
	Z	35,82	40,65	47,89	55,14	69,62	84,11	98,59	113,08	127,56	156,53			
30°	Y	7,25	11,25	17,25	23,25	35,25	47,25	59,25	71,25	83,25	107,25	6,80		
	L1	19,83	23,83	29,83	35,83	47,83	59,83	71,83	83,83	95,83	119,83			
	L2	27,11	31,11	37,11	43,11	55,11	67,11	79,11	91,11	103,11	127,11			
	Z	30,92	34,38	39,58	44,78	55,17	65,56	75,95	86,35	96,74	117,52			
45°	Y		3,03	7,27	11,52	20,00	28,49	36,97	45,46	53,94	70,91	12,49		
	L1		16,37	20,62	24,86	33,34	41,83	50,31	58,80	67,28	84,25			
	L2		27,29	31,53	35,77	44,26	52,75	61,23	69,72	78,20	95,17			
	Z		29,67	32,67	35,67	41,67	47,67	53,67	56,67	65,67	77,67			
60°	Y			1,49	4,95	11,88	18,81	25,73	32,66	39,59	53,45	19,23		
	L1					26,22	33,15	40,07	47,00	53,93	67,79			
	L2					40,77	47,70	54,63	61,56	68,49	82,34			
	Z					36,06	39,52	42,98	46,45	49,91	56,84			
90°	Y					2,51	8,51	14,51	20,51	26,51	38,51	33,95		
	L1							30,03	36,03	42,03	54,03			
	L2							51,87	57,87	63,87	75,87			
	Z							33,95	33,95	33,95	33,95			

EMT de 3 in												Diá. = 3,5	Radio = 16,48	x = 5,77
ÁNGULO	DIM.	ALTURA (H)										ALTURA MÍNIMA		
		10 in	12 in	15 in	18 in	24 in	30 in	36 in	42 in	48 in	60 in			
15°	Y	23,94	31,66	43,25	54,85	78,03	101,21	124,39	147,57	170,76	217,12	2,62		
	L1	38,61	46,34	57,93	69,52	92,70	115,89	139,07	162,25	185,43	231,80			
	L2	42,93	50,65	62,25	73,84	97,02	120,20	143,38	166,57	189,75	236,11			
	Z	47,43	54,89	66,09	77,29	99,68	122,07	144,46	166,86	189,25	234,03			
22,5°	Y	12,51	17,74	25,58	33,42	49,09	64,77	80,45	96,13	111,81	143,17	4,72		
	L1	26,05	31,27	39,11	46,95	62,63	78,31	93,99	109,67	125,35	156,70			
	L2	32,52	37,74	45,58	53,42	69,10	84,78	100,46	116,14	131,82	163,17			
	Z	36,47	41,30	48,54	55,78	70,27	84,75	99,24	113,72	128,21	157,18			
30°	Y	6,31	10,31	16,31	22,31	34,31	46,31	58,31	70,31	82,31	106,31	7,30		
	L1	19,80	23,80	29,80	35,80	47,80	59,80	71,80	83,80	95,80	119,80			
	L2	28,43	32,43	38,43	44,43	56,43	68,43	80,43	92,43	104,43	128,43			
	Z	31,92	35,39	40,58	45,78	56,17	66,56	76,96	87,35	97,74	118,52			
45°	Y		1,90	6,14	10,38	18,87	27,36	35,84	44,33	52,81	69,78	13,73		
	L1			20,50	24,75	33,23	41,72	50,20	58,69	67,17	84,14			
	L2			33,45	37,69	46,18	54,66	63,15	71,63	80,12	97,09			
	Z			34,42	37,42	43,42	49,42	55,42	61,42	67,42	79,42			
60°	Y			0,02	3,48	10,41	17,34	24,26	31,19	38,12	51,98	21,48		
	L1					25,94	32,87	39,80	46,73	53,65	67,51			
	L2					43,20	50,13	57,06	63,98	70,91	84,77			
	Z					38,66	42,12	45,58	49,05	52,51	59,44			
90°	Y					0,00	6,00	12,00	18,00	24,00	36,00	38,73		
	L1								34,93	40,93	52,93			
	L2								60,81	66,81	78,81			
	Z								38,73	38,73	38,73			

EMT de 3-1/2 in												Diá. = 4	Radio = 19,18	x = 6,56
ÁNGULO	DIM.	ALTURA (H)										ALTURA MÍNIMA		
		10 in	12 in	15 in	18 in	24 in	30 in	36 in	42 in	48 in	60 in			
15°	Y	21,82	29,55	41,14	52,73	75,92	99,10	122,28	145,46	168,65	215,01	3,00		
	L1	38,61	46,34	57,93	69,52	92,70	115,88	139,06	165,25	185,43	231,79			
	L2	43,63	51,36	62,95	74,54	97,72	120,90	144,09	167,27	190,45	236,81			
	Z	48,93	56,39	67,59	78,79	101,18	123,57	145,96	168,36	190,75	235,53			
22,5°	Y	10,53	15,76	23,60	31,43	47,11	62,79	78,47	94,15	109,83	141,19	5,43		
	L1	26,03	31,26	39,10	46,94	62,62	78,30	93,97	109,65	125,33	156,69			
	L2	33,56	38,79	46,63	54,47	70,15	85,83	101,51	117,18	132,86	164,22			
	Z	38,33	43,16	50,40	57,65	72,13	86,62	101,10	115,59	130,37	159,04			
30°	Y	4,30	8,30	14,30	20,30	32,30	44,30	56,30	68,30	80,30	104,30	8,42		
	L1	19,76	23,76	29,76	35,76	47,76	59,76	71,76	83,76	95,76	119,76			
	L2	29,81	33,81	39,81	45,81	57,81	69,81	81,81	93,81	105,81	129,81			
	Z	34,16	37,62	42,82	48,02	58,41	68,80	79,19	89,58	99,98	120,76			
45°	Y			3,88	8,12	16,61	25,09	33,58	42,06	50,55	67,52	15,87		
	L1				24,63	33,12	41,60	50,09	58,57	67,06	84,03			
	L2				39,69	48,18	56,67	65,15	73,64	82,12	99,09			
	Z				40,45	46,45	52,45	58,45	64,45	70,45	82,45			
60°	Y				0,84	7,77	14,7	21,63	28,55	35,48	49,34	24,86		
	L1						32,58	39,51	46,44	53,36	67,22			
	L2						52,66	59,59	66,52	73,45	87,31			
	Z						46,03	49,49	52,96	56,42	63,35			
90°	Y						2,26	8,26	14,26	20,26	32,26	44,92		
	L1									39,77	51,77			
	L2									69,90	81,90			
	Z									44,92	44,92			

EMT de 4 in												Diá. = 4,5	Radio = 21,50	x = 8,50
ÁNGULO	DIM.	ALTURA (H)										ALTURA MÍNIMA		
		10 in	12 in	15 in	18 in	24 in	30 in	36 in	42 in	48 in	60 in			
15°	Y	18,61	26,34	37,93	49,52	72,71	95,89	119,07	142,25	165,43	211,80	3,67		
	L1	38,60	46,33	57,92	69,51	92,70	115,88	139,06	162,24	185,43	231,79			
	L2	44,23	51,96	63,55	75,14	98,33	121,51	144,69	167,87	191,05	237,42			
	Z	51,48	58,95	70,14	81,34	103,73	126,12	148,51	170,91	193,30	238,08			
22,5°	Y	7,48	12,70	20,54	28,38	44,06	59,74	75,42	91,10	106,77	138,13	6,53		
	L1	26,02	31,25	39,09	46,93	62,60	78,28	93,96	109,64	125,32	156,68			
	L2	34,46	39,69	47,53	55,37	71,05	86,73	102,41	118,08	133,76	165,12			
	Z	41,20	46,02	53,27	60,51	74,99	89,48	103,96	118,45	132,94	161,91			
30°	Y	1,24	5,24	11,24	17,24	29,24	41,24	53,24	65,24	77,24	101,24	10,01		
	L1	19,74	23,74	29,74	35,74	47,74	59,74	71,74	83,74	95,74	119,74			
	L2	30,99	34,99	40,99	46,99	58,99	70,99	82,99	94,99	106,99	130,99			
	Z	37,34	40,81	46,00	51,20	61,59	71,98	82,38	92,77	103,16	123,94			
45°	Y			0,63	4,87	13,35	21,84	30,32	38,81	47,29	64,27	18,60		
	L1					33,02	41,50	49,99	58,47	66,96	83,93			
	L2					49,90	58,39	66,87	75,36	83,84	100,81			
	Z					50,31	56,31	62,31	68,31	74,31	86,31			
60°	Y					4,20	11,13	18,06	24,99	31,91	45,77	28,86		
	L1						32,33	39,26	46,19	53,11	66,97			
	L2						54,84	61,77	68,70	75,63	89,49			
	Z						50,65	54,11	57,57	61,04	67,97			
90°	Y						2,26	3,75	9,75	15,75	27,75	51,50		
	L1									50,77	51,50			
	L2									84,54	84,54			
	Z									51,50	51,50			

IMC/RÍGIDO de 2-1/2 in												Diá. = 2,875	Radio = 13,9	x = 6,15
ÁNGULO	DIM.	ALTURA (H)										ALTURA MÍNIMA		
		10 in	12 in	15 in	18 in	24 in	30 in	36 in	42 in	48 in	60 in			
15°	Y	25,10	32,83	44,42	56,01	79,19	102,38	125,56	148,74	171,92	218,29	2,54		
	L1	38,62	46,34	57,93	69,53	92,71	115,89	139,07	162,25	185,44	231,80			
	L2	42,26	49,98	61,57	73,16	96,35	119,53	142,71	165,89	189,08	235,44			
	Z	47,13	54,59	65,79	76,99	99,38	121,77	144,16	166,56	188,95	233,73			
22,5°	Y	13,46	18,69	26,53	34,37	50,04	65,72	81,40	97,08	112,76	144,12	4,47		
	L1	26,06	31,29	39,13	46,97	62,64	78,32	94,00	109,68	125,36	156,72			
	L2	31,52	36,74	44,58	52,42	68,10	83,78	99,46	115,14	130,82	162,17			
	Z	35,82	40,65	47,89	55,14	69,62	84,11	98,59	113,08	127,56	156,53			
30°	Y	7,25	11,25	17,25	23,25	35,25	47,25	59,25	71,25	83,25	107,25	6,80		
	L1	19,83	23,83	29,83	35,83	47,83	59,83	71,83	83,83	95,83	119,83			
	L2	27,11	31,11	37,11	43,11	55,11	67,11	79,11	91,11	103,11	127,11			
	Z	30,92	34,38	39,58	44,78	55,17	65,56	75,95	86,35	96,74	117,52			
45°	Y	0,20	3,03	7,27	11,52	20,00	28,49	36,97	45,46	53,94	70,91	12,49		
	L1			20,62	24,86	33,34	41,83	50,31	58,80	67,28	84,25			
	L2			31,53	35,77	44,26	52,75	61,23	69,72	78,20	95,17			
	Z			32,67	35,67	41,67	47,67	53,67	59,67	65,67	77,67			
60°	Y			1,49	4,95	11,88	18,81	25,73	32,66	39,59	53,45	19,23		
	L1					26,22	33,15	40,07	47,00	53,93	67,79			
	L2					40,77	47,70	54,63	61,56	68,49	82,34			
	Z					36,06	39,52	42,98	46,45	49,91	56,84			
90°	Y					2,51	8,51	14,51	20,51	26,51	38,51	33,95		
	L1							30,03	36,03	42,03	54,03			
	L2							51,87	57,87	63,87	75,87			
	Z							33,95	33,95	33,95	33,95			

IMC/RÍGIDO de 3 in												Diá. = 3,5	Radio = 16,48	x = 6
ÁNGULO	DIM.	ALTURA (H)										ALTURA MÍNIMA		
		10 in	12 in	15 in	18 in	24 in	30 in	36 in	42 in	48 in	60 in			
15°	Y	23,71	31,43	43,02	54,62	77,80	100,98	124,16	147,34	170,53	216,89	2,68		
	L1	38,61	46,34	57,93	69,52	92,70	115,89	139,07	162,25	185,43	231,80			
	L2	42,93	50,65	62,25	73,84	97,02	120,20	143,38	166,57	189,75	236,11			
	Z	47,66	55,12	66,32	77,52	99,91	122,30	144,69	167,09	189,48	234,26			
22,5°	Y	12,28	17,51	25,35	33,19	48,86	64,54	80,22	95,90	111,58	142,94	4,81		
	L1	26,05	31,27	39,11	46,95	62,63	78,31	93,99	109,67	125,35	156,70			
	L2	32,52	37,74	45,58	53,42	69,10	84,78	100,46	116,14	131,82	163,17			
	Z	36,70	41,53	48,77	56,01	70,50	84,98	99,47	113,95	128,44	157,41			
30°	Y	6,08	10,08	16,08	22,08	34,08	46,08	58,08	70,08	82,08	106,08	7,42		
	L1	19,80	23,80	29,80	35,80	47,80	59,80	71,80	83,80	95,80	119,80			
	L2	28,43	32,43	38,43	44,43	56,43	68,43	80,43	92,43	104,43	128,43			
	Z	32,15	35,62	40,81	46,01	56,40	66,79	77,19	87,58	97,97	118,75			
45°	Y		1,67	5,91	10,15	18,64	27,13	35,61	44,10	52,58	69,55	13,90		
	L1			20,50	24,75	33,23	41,72	50,20	58,69	67,17	84,14			
	L2			33,45	37,69	46,18	54,66	63,15	71,63	80,12	97,09			
	Z			34,65	37,65	43,65	49,65	55,65	61,65	67,65	79,65			
60°	Y				3,25	10,18	17,11	24,03	30,96	37,89	51,75	21,68		
	L1					25,94	32,87	39,80	46,73	53,65	67,51			
	L2					43,20	50,13	57,06	63,98	70,91	84,77			
	Z					38,89	42,35	45,81	49,28	52,74	59,67			
90°	Y					2,51	5,77	11,77	17,77	23,77	35,77	38,96		
	L1							34,93	40,93	52,93				
	L2							60,81	66,81	78,81				
	Z							38,96	38,96	38,96				

IMC/RÍGIDO de 3-1/2 in												Diá. = 4	Radio = 19,18	x = 7
ÁNGULO	DIM.	ALTURA (H)										ALTURA MÍNIMA		
		10 in	12 in	15 in	18 in	24 in	30 in	36 in	42 in	48 in	60 in			
15°	Y	21,38	29,11	40,70	52,29	75,48	98,66	121,84	145,02	168,21	214,57	3,12		
	L1	38,61	46,34	57,93	69,52	92,70	115,88	139,06	162,25	185,43	231,79			
	L2	43,63	51,36	62,95	74,54	97,72	120,90	144,09	167,27	190,45	236,81			
	Z	49,37	56,83	68,03	79,23	101,62	124,01	146,40	168,80	191,19	235,97			
22,5°	Y	10,09	15,32	23,16	30,99	46,67	62,35	78,03	93,71	109,39	140,75	5,60		
	L1	26,03	31,26	39,10	46,94	62,62	78,30	93,97	109,65	125,33	156,69			
	L2	33,56	38,79	46,63	54,47	70,15	85,83	101,51	117,18	132,86	164,22			
	Z	38,77	43,60	50,84	58,09	72,57	87,06	101,54	116,03	130,51	159,48			
30°	Y	3,86	7,86	13,86	19,86	31,86	43,86	55,86	67,86	79,86	103,86	8,64		
	L1	19,76	23,76	29,76	35,76	47,76	59,76	71,76	83,76	95,76	119,76			
	L2	29,91	33,81	39,81	45,81	57,81	69,81	81,81	93,81	105,81	129,81			
	Z	34,60	38,06	43,26	48,46	58,85	69,24	79,63	90,02	100,42	121,20			
45°	Y			3,44	7,68	16,17	24,65	33,14	41,62	50,11	67,08	16,19		
	L1				24,63	33,12	41,60	50,09	58,57	67,06	84,03			
	L2				39,69	48,18	56,67	65,15	73,64	82,12	99,09			
	Z				40,89	46,89	52,89	58,89	64,89	70,89	82,89			
60°	Y				0,40	7,33	14,26	21,19	28,11	35,04	48,90	25,24		
	L1						32,58	39,51	46,44	53,36	67,22			
	L2						52,66	59,59	66,52	73,45	87,31			
	Z						46,47	49,93	53,40	56,86	63,79			
90°	Y						1,82	7,82	13,82	19,82	31,82	45,36		
	L1									39,77	51,77			
	L2									69,90	81,90			
	Z									45,36	45,36			

IMC/RÍGIDO de 4 in												Diá. = 4,5	Radio = 21,50	x = 8,75
ÁNGULO	DIM.	ALTURA (H)										ALTURA MÍNIMA		
		10 in	12 in	15 in	18 in	24 in	30 in	36 in	42 in	48 in	60 in			
15°	Y	18,36	26,09	37,68	49,27	72,46	95,64	118,82	142,00	165,18	211,55	3,73		
	L1	38,60	46,33	57,92	69,51	92,70	115,88	139,06	162,24	185,43	231,79			
	L2	44,23	51,96	63,55	75,14	98,33	121,51	144,69	167,87	191,05	237,42			
	Z	51,73	59,20	70,39	81,59	103,98	126,37	148,76	171,16	193,55	238,33			
22,5°	Y	7,23	12,45	20,29	28,13	43,81	59,49	75,17	90,85	106,52	137,88	6,62		
	L1	26,02	31,25	39,09	46,93	62,60	78,28	93,96	109,64	125,32	156,68			
	L2	34,46	39,69	47,53	55,37	71,05	86,73	102,41	118,08	133,76	165,12			
	Z	41,45	46,27	53,52	60,76	75,24	89,73	104,21	118,70	133,19	162,16			
30°	Y	0,99	4,99	10,99	16,99	28,99	40,99	52,99	64,99	76,99	100,99	10,14		
	L1		23,74	29,74	35,74	47,74	59,74	71,74	83,74	95,74	119,74			
	L2		34,99	40,99	46,99	58,99	70,99	82,99	94,99	106,99	130,99			
	Z		41,06	46,25	51,45	61,84	72,23	82,63	93,02	103,41	124,19			
45°	Y			0,38	4,62	13,10	21,59	30,07	38,56	47,04	64,02	18,78		
	L1					33,02	41,50	49,99	58,47	66,96	83,93			
	L2					49,90	58,39	66,87	75,36	83,84	100,81			
	Z					50,56	56,56	62,56	68,56	74,56	86,56			
60°	Y					3,95	10,88	17,81	24,74	31,66	45,52	29,08		
	L1						32,33	39,26	46,19	53,11	66,97			
	L2						54,84	61,77	68,70	75,63	89,49			
	Z						50,90	54,36	57,82	61,29	68,22			
90°	Y							3,50	9,50	15,50	27,50	51,75		
	L1										50,77			
	L2										84,54			
	Z										51,75			

**Resolución de problemas**

Problema	Causa probable	Solución
Pliegues en el EMT.	El pasador del yugo está en la posición incorrecta.	Mueva el pasador del yugo al orificio marcado con EMT.
	La barra de seguimiento está invertida.	Retire la barra de seguimiento e introduzca el extremo con la marca START (inicio) en dirección al soporte.
	Las superficies de contacto entre la zapata y la barra de seguimiento están dañadas o tienen residuos.	Limpie la zapata y la barra de seguimiento. Reemplace la zapata o la barra de seguimiento, según sea necesario.
	La barra de seguimiento no está colocada dentro de 1 in del soporte al inicio de la curvatura.	Coloque la barra de seguimiento según las instrucciones de curvado.
	La barra de seguimiento no está centrada en el rodillo al iniciar la curvatura.	Centre la barra de seguimiento en el rodillo.
	Las ranuras en la zapata o en la barra de seguimiento están gastadas o deformadas.	Sustituya la zapata o la barra de seguimiento.
	El rodillo no gira en el eje.	Lubrique el rodillo.
	Conducto resistente al límite elástico.	Use EMT estándar.
Pliegues laterales del EMT.	La barra de seguimiento no está centrada en el rodillo al iniciar la curvatura.	Centre la barra de seguimiento en el rodillo.
	El conducto no está nivelado (al realizar el curvado en el piso).	Nivele el conducto.
	Las superficies de contacto entre la zapata y la barra de seguimiento están dañadas o tienen residuos.	Limpie la zapata y la barra de seguimiento. Reemplace la zapata o la barra de seguimiento, según sea necesario.
	La ranura de la barra de seguimiento está gastado o deformado.	Reemplace la barra de seguimiento.
No se curva el EMT.	La barra de seguimiento está invertida.	Retire la barra de seguimiento e introduzca el extremo con la marca START (inicio) en dirección al soporte.
Formación de arrugas en IMC o rígido.	La barra de seguimiento está invertida.	Retire la barra de seguimiento e introduzca el extremo con la marca START (inicio) en dirección al soporte.
Pliegues laterales de IMC o rígido.	El conducto no está nivelado (al realizar el curvado en el piso).	Nivele el conducto.
	La barra de seguimiento no está centrada en el rodillo al iniciar la curvatura.	Centre la barra de seguimiento en el rodillo.
No se curva el IMC o el rígido.	El pasador del yugo está en la posición incorrecta.	Mueva el pasador del yugo al orificio marcado con IMC/RÍGIDO.
	La barra de seguimiento está instalada invertida.	Retire la barra de seguimiento e introduzca el extremo con la marca START (inicio) en dirección al soporte.
El ariete no avanza.	La bomba no tiene suficiente aceite.	Agregue aceite. Consulte las instrucciones suministradas con la bomba.
	La ventilación de la bomba está cerrada	Abra los orificios de ventilación de la bomba.
	Los acoples de la manguera no están completamente apretados.	Apriete los acoples de la manguera.
	La caída de voltaje es excesiva debido a la longitud excesiva del cordón prolongador.	Use un cordón prolongador clasificado más corto o más extenso.
El ariete está desalineado	Las chavetas de pasador de enganche del bloque de cilindros no están en los orificios del pasador de enganche correctos (Fig. 7).	Mueva las chavetas de pasador de enganche al orificio correcto.
	El soporte del pistón no está instalado.	Instale el soporte del pistón.
	Los pasadores de enganche del bloque de cilindros están torcidos.	Reemplace los pasadores de enganche del bloque de cilindros.



## Almacenamiento y transporte

<b>⚠ ADVERTENCIA</b>


<ul style="list-style-type: none"> <li>• <b>Algunas piezas y accesorios de esta herramienta son pesados.</b> Utilice técnicas de elevación adecuadas para reducir el riesgo de lesiones.</li> </ul>

La curvadora 881 viene con una caja tipo baúl que se puede utilizar para el transporte y el almacenamiento.

1. Despresurice y desconecte la bomba antes de tocar la curvadora.
2. Desconecte la manguera de la bomba del ariete.
3. Extraiga la barra de seguimiento, la zapata y el soporte.
4. Desarme la curvadora siguiendo las instrucciones contrarias al armado.
5. Guarde la curvadora en un lugar fresco y seco en el interior o cúbrala si la guarda afuera.

Consulte el manual de instrucciones **Mesa de curvado móvil para la curvadora hidráulica 881** para el transporte y almacenamiento de la curvadora cuando se monta en la MBT.

## Limpeza

<b>⚠ ADVERTENCIA</b>	
	
<ul style="list-style-type: none"> <li>• <b>El aceite de alta presión puede atravesar la piel fácilmente y esto podría causar una lesión grave, gangrena o la muerte.</b> No utilice las manos para verificar si hay fugas. Manténgase alejado de los componentes presurizados. Despresurice el sistema hidráulico antes de tocar la manguera o los accesorios. Si resulta herido, busque inmediatamente atención médica para eliminar el aceite.</li> <li>• <b>No haga modificaciones a esta herramienta.</b> Si hace alguna modificación, puede ocasionar lesiones personales y daños a la herramienta.</li> <li>• <b>No intente abrir la herramienta.</b> Contiene piezas que no necesitan mantenimiento por parte del usuario.</li> </ul>	

Despresurice la bomba antes de tocar la bomba, la manguera o la curvadora para realizar la limpieza.

Limpe el equipo con un paño limpio y seco. No utilice solventes ni productos químicos abrasivos.

Limpe las superficies de curvado (la ranura de la barra de seguimiento, las zapatas y los soportes). Retire cualquier residuo para reducir el riesgo de desgaste sobre las superficies de curvado que podría originar la formación de arrugas o pliegues en el conducto.



## Kits de reparación y accesorios

NÚMERO DE CATÁLOGO	DESCRIPCIÓN
10103C	ARIETE DE 40 TONELADAS CON ACOPLER RÁPIDO (HEMBRA), 2 PASADORES DEL BLOQUE DE CILINDROS Y 2 CHAVETAS DE PASADOR DE ENGANCHE.
12801G	SOPORTE DEL PISTÓN
94849G	2 PASADORES DEL BLOQUE DE CILINDROS
2725AA	4 CHAVETAS DE PASADOR DE ENGANCHE
94848G	BARRAS DE CONEXIÓN
12795G	RODILLO CON 2 CHAVETAS DE PASADOR DE ENGANCHE
30309	YUGO
12800G	SOPORTE DEL PISTÓN Y YUGO EXTENDIDO
12797G	PASADOR DEL YUGO
26349	SUJETADOR DE RESORTE DEL YUGO
12796G	PASADOR DEL SOPORTE
94811G	GRUPO DE 2-1/2 IN (RADIO DE 13-1/2 IN)
26297	ZAPATA DE 2-1/2 IN
88632G	BARRA DE SEGUIMIENTO DE 2-1/2 IN
26580	SOPORTE DE 2-1/2 IN
94812G	GRUPO DE 3 IN (RADIO DE 16 IN)
26300	ZAPATA DE 3 IN
88633	BARRA DE SEGUIMIENTO DE 3 IN
26584	SOPORTE DE 3 IN
94813G	GRUPO DE 3-1/2 IN (RADIO DE 18-5/8 IN)
31882	ZAPATA DE 3-1/2 IN
88634	BARRA DE SEGUIMIENTO DE 3-1/2 IN
26588	SOPORTE DE 3-1/2 IN
94814G	GRUPO DE 4 IN (RADIO DE 20-7/8 IN)
31884	ZAPATA DE 4 IN
88635	BARRA DE SEGUIMIENTO DE 4 IN
26594	SOPORTE DE 4 IN
11289	MANGUERA DE ALTA PRESIÓN DE 3/8 IN x 6 FT CON ACOPLER RÁPIDOS (MACHO)
2460	CAJA DE TRABAJO (4860)
696	JUEGO DE RUEDAS PARA LA CAJA DE TRABAJO

## Servicio

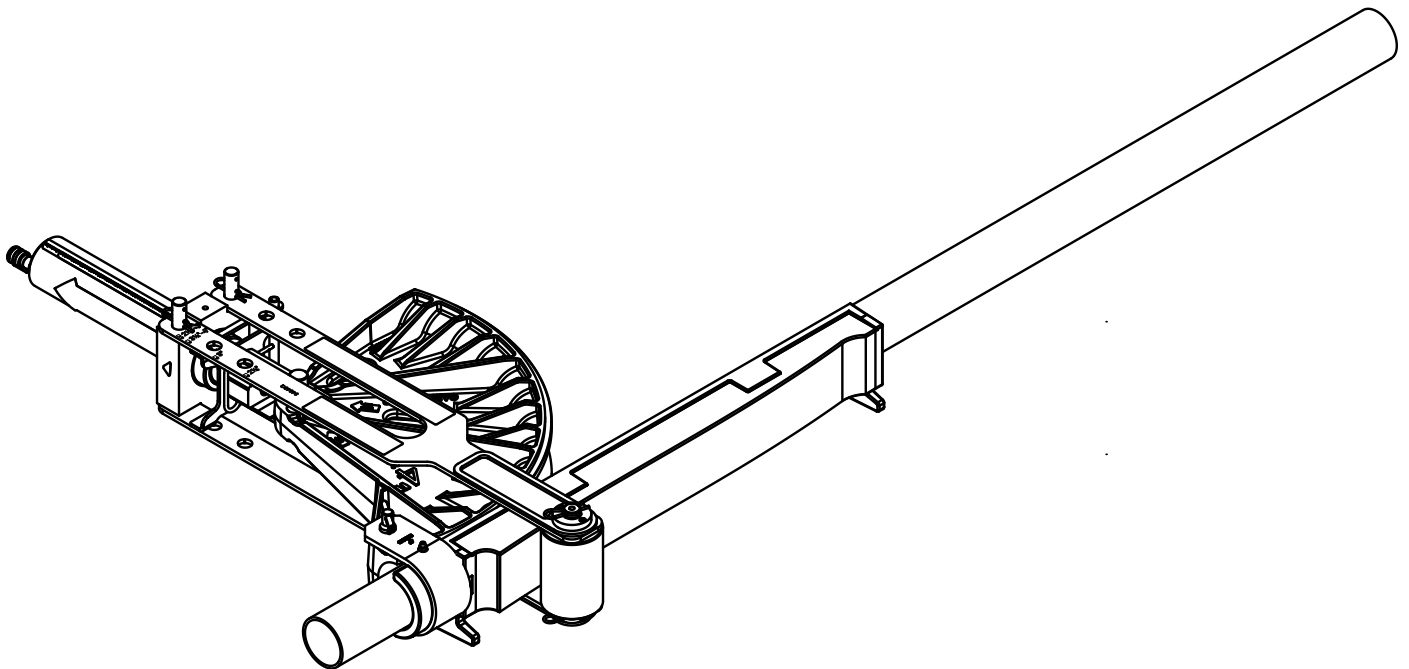
### ADVERTENCIA

- **Solo técnicos calificados deben realizar el servicio de la herramienta.** El servicio o mantenimiento hecho por personal no calificado puede provocar riesgo de lesiones.

### Eliminación

Las piezas de estas herramientas contienen materiales valiosos que se pueden reciclar. Hay empresas que se especializan en el reciclaje y que se pueden encontrar localmente. Deseche los componentes de acuerdo con todas las normas aplicables. Comuníquese con la autoridad local de gestión de residuos para obtener más información.

# MODE D'EMPLOI



English .....1-26  
Español.....27-52

## Cintreuse hydraulique Cam Track® 881GX



**Lire et assimiler** toutes les instructions et tous les renseignements de sécurité de ce mode d'emploi avant d'utiliser cet outil ou d'en effectuer l'entretien.

**CONSERVER CE MODE D'EMPLOI**

**Table des matières**

Liste explicative des symboles de sécurité.....	55
Mises en garde générales .....	56
Renseignements de sécurité propres à l'outil ..	56
Coordonnées Greenlee .....	57
Description de l'outil.....	58
Spécifications.....	58
Identification de l'outil .....	59
Autocollants et emplacements.....	60
Inspection avant utilisation.....	61
Fonctionnement et configuration de l'outil.....	62-65
Calculer la course du vérin pour l'angle de cintrage.....	66
Bases du cintrage .....	67
Réaliser un cintrage.....	68
Marques de cintrage .....	68-71
Tableaux de cintrage spéciaux.....	72-75
Dépannage .....	76
Entreposage et transport .....	77
Nettoyage .....	77
Kit de réparation et accessoires.....	78
Réparation .....	78
Mise au rebut.....	78

**CONSERVER CE MODE D'EMPLOI**

## Liste explicative des symboles de sécurité

Dans le présent mode d'emploi et sur le produit, des symboles de sécurité et des mots indicateurs sont utilisés pour communiquer des renseignements importants de sécurité. L'objet de la présente section est d'améliorer la compréhension de ces mots indicateurs et symboles.



Il s'agit du symbole d'avertissement. Il est utilisé pour mettre l'utilisateur en garde contre les risques potentiels de blessures corporelles. Respecter tous les messages de sécurité qui suivent ce symbole pour éviter d'éventuelles blessures, voire le décès.

### **DANGER**

Indique une situation dangereuse qui, si elle n'est pas évitée, ENTRAÎNERA des blessures graves, voire mortelles.

### **MISE EN GARDE**

Indique une situation dangereuse qui, si elle n'est pas évitée, PEUT entraîner des blessures graves, voire mortelles.

### **CAUTION**

Indique des dangers ou des pratiques dangereuses qui, s'ils ne sont pas évités, SONT SUSCEPTIBLES d'entraîner des blessures ou des dommages matériels.



Ce symbole signifie qu'il faut lire attentivement le mode d'emploi avant d'utiliser l'équipement. Le mode d'emploi contient des renseignements importants sur la sécurité et le bon fonctionnement de l'équipement.



Ce symbole signifie qu'il faut toujours porter des lunettes de sécurité à écrans latéraux ou des lunettes de protection lors de la manipulation ou de l'utilisation de cet équipement afin de réduire le risque de blessures oculaires.



Ce symbole signifie qu'il faut toujours porter des chaussures de sécurité pour réduire le risque que les pieds percutent ou soient percutés par des objets ou soient en contact avec des matériaux thermiques ou chimiques.



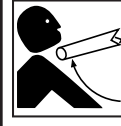
Toujours porter des gants lors de la manutention ou de l'utilisation de cet équipement pour réduire le risque de blessures.



Ce symbole indique que les mains, les doigts ou d'autres parties du corps peuvent être écrasés.



Ce symbole indique que des composants peuvent se rompre et heurter le personnel à proximité.



Ce symbole indique le risque de blessures par choc causées par des pièces mobiles de l'outil.



Ce symbole indique le risque que du liquide sous pression soit dirigé vers les mains ou des parties du corps, provoquant des blessures par perforation de la peau et par injection.



Ce symbole indique que le poids de la mallette (ou de l'équipement) est supérieur à 25 kg (55 lb), utiliser une technique de levage appropriée pour réduire le risque de blessure.

## Mises en garde générales

### **MISE EN GARDE**



Lors de l'utilisation et de l'entretien des outils et de l'équipement Greenlee, la sécurité est essentielle. Les instructions de ce manuel et les inscriptions sur l'outil fournissent des renseignements qui permettent d'éviter les dangers et les manipulations dangereuses liés à l'utilisation de cet outil.

Lire tous les mises en garde de sécurité, les instructions, les illustrations et les spécifications fournis avec cet outil. Veiller à respecter toutes les instructions ci-dessous pour écarter les risques de blessure grave.

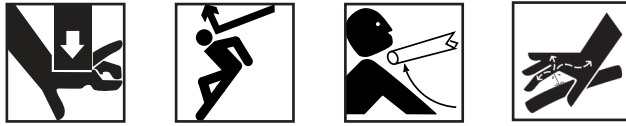
#### **CONSERVER TOUTES LES MISES EN GARDE ET TOUTES LES INSTRUCTIONS POUR CONSULTATION ULTÉRIEURE.**

- **Utiliser un équipement de protection individuelle (EPI).** Toujours porter des lunettes de sécurité. Un équipement de protection utilisé dans des conditions appropriées permet de réduire les blessures.
- **Utiliser cet outil aux fins prévues par le fabricant uniquement.** Une utilisation autre que celle prescrite dans ce manuel peut entraîner une situation dangereuse.
- **Une personne doit contrôler le processus de travail et le fonctionnement de la machine.** Seul l'opérateur doit se trouver dans la zone de travail lorsque la machine fonctionne. Cela permet de réduire les risques de blessures.
- **Garder les poignées et les surfaces de prise sèches, propres et sans traces d'huile et de graisse.** Les poignées ou les surfaces de prise glissantes ne permettent pas une manipulation et un contrôle sécuritaires de l'outil lors de situations inattendues.
- **Certaines pièces et certains accessoires de cet outil sont lourds.** Utiliser des techniques de levage appropriées pour réduire le risque de blessure.
- **Faire preuve de vigilance, de concentration et de bon sens lors de l'utilisation de cet outil.** Ne pas utiliser cet outil si l'on est fatigué ou sous l'emprise de drogues, d'alcool ou de médicaments. Un instant d'inattention durant l'utilisation d'un outil électrique peut entraîner des blessures graves.
- **Tenir les personnes présente à une distance sûre de la zone de travail.** La présence d'autres personnes près de l'opérateur augmente le risque de blessure pour eux-mêmes et pour l'opérateur en cas de distraction ou d'interaction avec l'équipement.

- **Ne pas laisser la familiarité acquise par une utilisation fréquente de l'outil entraîner une baisse de la vigilance ou le non-respect des principes de sécurité.** Un geste imprudent peut entraîner des blessures graves en une fraction de seconde.
- **Ne pas travailler à bout de bras.** Toujours maintenir un bon appui et un bon équilibre. Cela permet un meilleur contrôle de l'outil en cas d'imprévu.
- **Porter une tenue appropriée.** Ne pas porter de vêtements amples ni de bijoux. Tenir les cheveux, les vêtements et les gants à l'écart des pièces en mouvement. Les vêtements amples, les bijoux et les cheveux longs peuvent se prendre dans les pièces en mouvement.
- **Ranger les outils inutilisés hors de la portée des enfants et interdire l'utilisation aux personnes non familiarisées avec l'outil ou avec ces instructions.** Ces outils sont dangereux entre les mains d'utilisateurs inexpérimentés.
- **Entretien tous les équipements et accessoires.** Vérifier que l'outil ne présente pas de pièces tournantes grippées ou désaxées, de pièces cassées ou d'autres problèmes susceptibles d'entraver son bon fonctionnement. S'il est endommagé, le réparer avant de l'utiliser. De nombreux accidents sont causés par des équipements ou des accessoires mal entretenus.
- **Garder la zone de travail propre et bien éclairée.** Les endroits sombres et encombrés favorisent les accidents.
- **Tous les jours avant l'utilisation, inspecter l'outil et corriger tout problème afin de réduire le risque de blessure et d'éviter d'endommager le produit.** Si des problèmes sont détectés, ne pas utiliser l'outil tant que les problèmes n'ont pas été corrigés, le non-respect de ces étapes augmente le risque de blessures.
- **Une bonne configuration est essentielle pour minimiser les risques pendant l'utilisation.** Configurer l'outil et aménager la zone de travail conformément aux procédures suivantes pour réduire le risque de blessure.
- **Suivre les instructions de ce manuel lors de la réparation de cet outil et utiliser uniquement des pièces de rechange identiques.** L'utilisation de pièces non autorisées ou le non-respect des instructions augmente le risque de blessure ou d'endommagement de l'outil.
- **La réparation de l'outil doit être effectuée uniquement par un technicien qualifié.** Toute réparation ou toute opération d'entretien effectuée par du personnel non qualifié peut entraîner des blessures.

## Renseignements de sécurité propres à l'outil

### **MISE EN GARDE**



#### Avant d'utiliser cet outil, veiller à lire et comprendre :

- ce mode d'emploi,
- les instructions relatives à tout autre équipement utilisé avec cet outil,
- les marquages sur l'outil,
- les procédures de sécurité requises sur le chantier.

**Veiller à respecter toutes les instructions et mises en garde pour écarter les risques de blessures graves.**

#### **CONSERVER TOUTES LES MISES EN GARDE ET TOUTES LES INSTRUCTIONS POUR CONSULTATION ULTÉRIEURE.**

- **Veiller à ce que les doigts, les mains et les autres parties du corps ne s'approchent pas de la cintreuse, des accessoires, du conduit et des pièces mobiles.** Les membres du corps peuvent être heurtés, écrasés, fracturés ou amputés s'ils se retrouvent coincés entre les éléments de fixation ou entre ces éléments et tout autre objet.
- **Ne pas plier de tube électrique métallique (TEM) en aluminium.** Le conduit peut se briser et causer des blessures graves.
- **Ne pas se tenir directement dans l'axe de la barre de serrage, du vérin hydraulique ou du conduit pendant le pliage.** La cintreuse est soumise à une pression élevée pendant son utilisation et peut potentiellement briser et projeter des pièces, provoquant ainsi des blessures graves.
- **Ne pas modifier ce produit de quelque manière que ce soit ni fixer d'outils qui ne sont pas spécifiés dans ce manuel.** L'utilisation de cette cintreuse avec des accessoires et des équipements autres que ceux spécifiés peut entraîner des situations dangereuses.
- **Le liquide sous pression peut aisément percer la peau et provoquer des blessures graves, une gangrène ou la mort.** Ne pas utiliser les mains pour contrôler l'étanchéité. Rester à l'écart des composants sous pression. Dépressuriser le système hydraulique avant de toucher le flexible ou les fixations. En cas de lésion, consulter immédiatement un médecin pour extraire l'huile.
- **Utiliser uniquement des flexibles, des fixations et des accessoires Greenlee en bon état de fonctionnement et présentant les caractéristiques nominales appropriées pour l'outil.** Ne pas modifier les produits à partir de la conception d'origine, l'équipement usé, endommagé ou mal évalué risque de tomber en panne et de causer des blessures graves.

- **Utiliser la combinaison appropriée d'accessoires pour la dimension spécifique du conduit.** Les cintrages seront inexacts et des blessures ou des dommages à l'outil pourraient en résulter.
- **Utiliser l'outil et les accessoires adaptés au travail à effectuer.** L'outil adapté assure un travail plus correct et plus sûr au régime pour lequel il a été conçu. L'utilisation de l'outil pour des travaux autres que ceux prévus peut donner lieu à des situations dangereuses.
- **Ne pas modifier l'outil.** La modification de l'outil de quelque manière que ce soit peut entraîner des blessures corporelles et des dommages à l'outil.
- **Ne pas tenter d'ouvrir l'outil.** Il ne contient aucune pièce réparable par l'utilisateur.

## Coordonnées Greenlee

Pour toute question, demande de service ou achat de pièces ou d'accessoires pour ce produit Greenlee/HDE : communiquer avec le distributeur Greenlee local ou le centre de service à la clientèle de Greenlee.

Des exemplaires supplémentaires de ce mode d'emploi sont disponibles en téléchargement sur [www.greenlee.com](http://www.greenlee.com).

Service à la clientèle Greenlee

États-Unis : 1 800 435-0786 | Canada : 800 435-0786

International : +1 815 397 7070

[GRNCustomerService@emerson.com](mailto:GRNCustomerService@emerson.com)

Adresse d'expédition :

Greenlee Factory Service Center

4411 Boeing Dr., Rockford, IL 61109

## Description de l'outil

La cintruse hydraulique Cam Track® 881GX est une cintruse qui peut être utilisée pour cintrer les conduits rigides, IMC et TEM de 38 mm (2-1/2 po) à 101 mm (4 po). Cette cintruse peut être montée et utilisée sur la table de cintrage mobile (MBT) de Greenlee ou sur le sol. Consulter le catalogue pour les configurations disponibles.

### Caractéristiques

Groupes de sabots de cintrage spécialisés 90° contenant un sabot, une barre de serrage et un étrier.

Chape allongée pour réduire le temps de changement des accessoires.

Barres de serrage plus légères pour optimiser l'ergonomie pour l'utilisateur.

Goupilles à ressort pour réduire le nombre de goupilles d'attelage utilisées.

Tableaux de cintrage

## Spécifications

**Capacité de cintrage :**..... TEM, IMC, acier rigide de 2-1/2 po, 3 po, 3-1/2 po et 4 po  
Aluminium rigide de 2-1/2 po, 3 po, 3-1/2 po et 4 po  
Acier inoxydable rigide de 2-1/2 po et 3 po  
Tuyau de nomenclature 40 de 2-1/2 po, 3 po, 3-1/2 po et 4 po  
Ne pas plier le tube électrique métallique (TEM) en aluminium

**Dimensions de la boîte de rangement (H x L x l) :**..... 63,5 cm x 152,4 cm x 60,96 cm (25 po x 60 po x 24 po)

**Poids de l'assemblage et des accessoires de la cintruse de la boîte de rangement :**..... 400 kg (882 lb)

**Poids du sabot de cintrage\* :** ..... 2½ po – 16 kg (35 lb)  
3 po – 25 kg (54 lb)  
3½ po – 32 kg (71 lb)  
4 po – 39 kg (87 lb)

**Poids de la barre de serrage\* :** ..... 2½ po – 10 kg (22 lb)  
3 po – 14 kg (30 lb)  
3½ po – 21 kg (47 lb)  
4 po – 29 kg (63 lb)

\*Estimation du modèle

**Coupleur et flexible recommandés :** ..... Greenlee CAT 11289

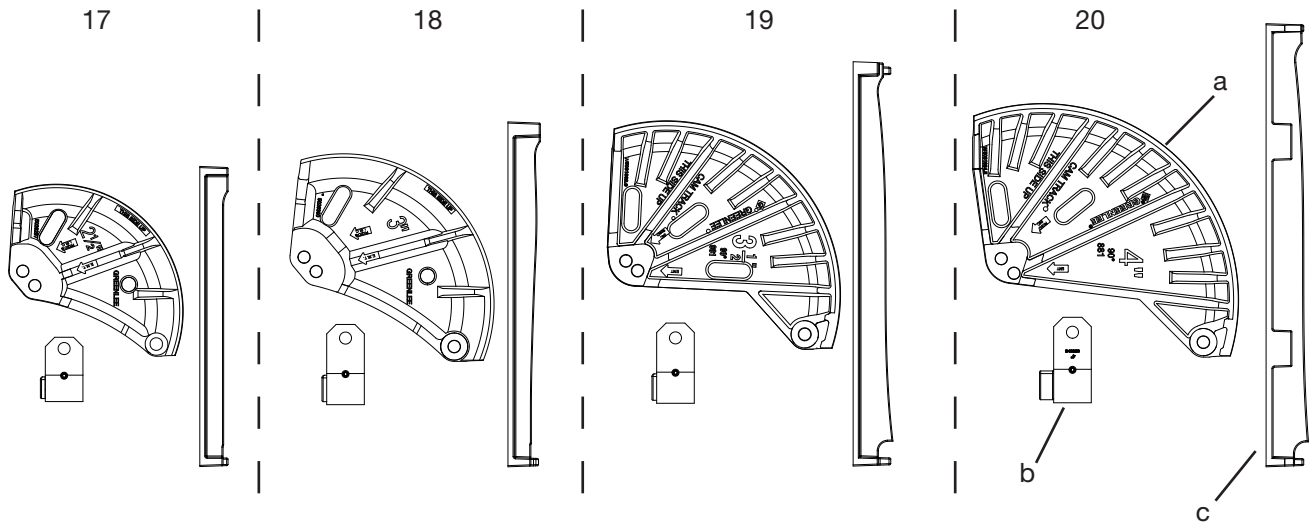
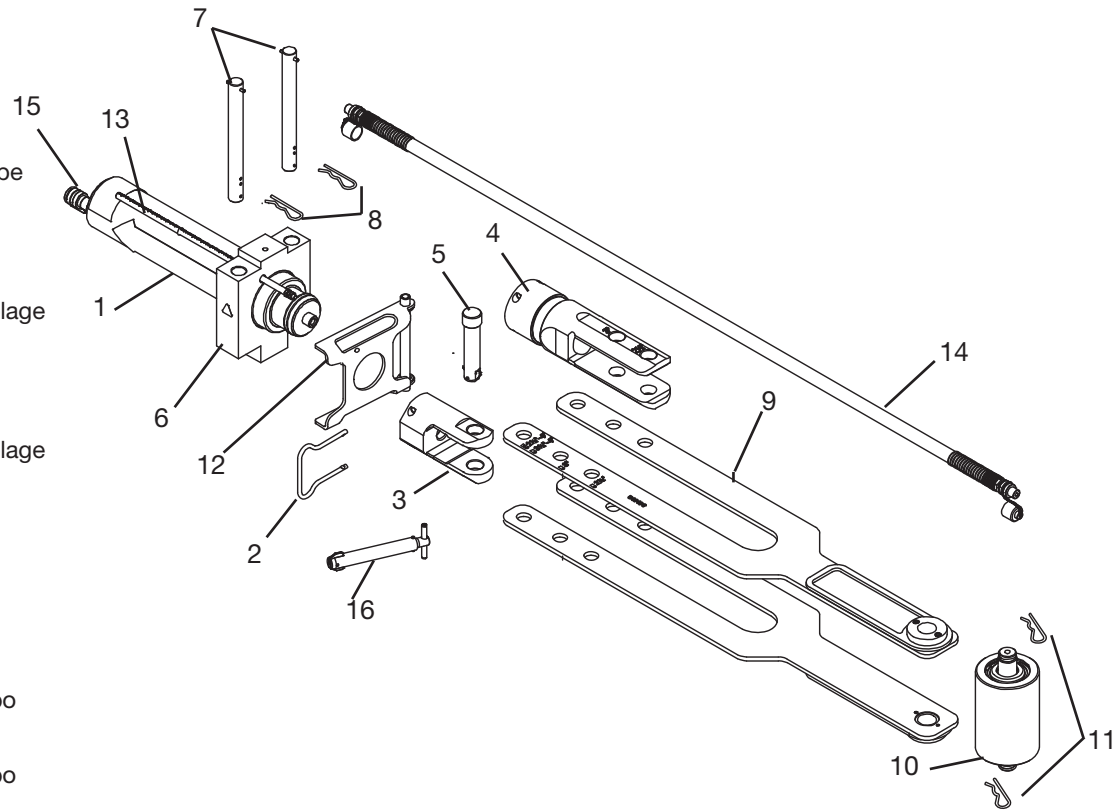
**Pompe :** ..... Pompe hydraulique Greenlee capable de produire 10 000 psi et d'un volume de liquide utile de 6 pintes ou plus comme la série de pompe 980 Greenlee.

**Toutes les spécifications sont nominales et peuvent changer en fonction des améliorations apportées à la conception.**



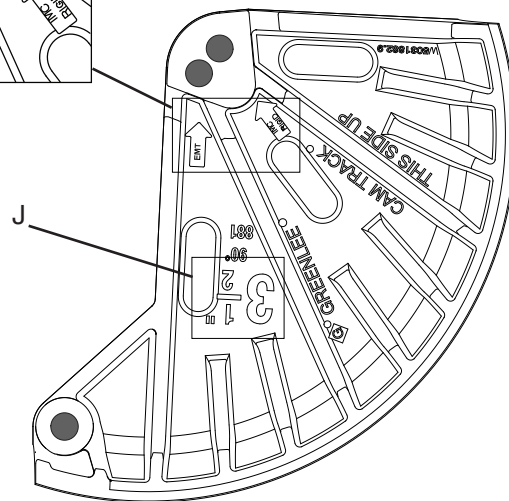
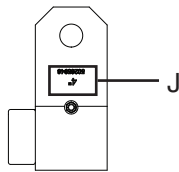
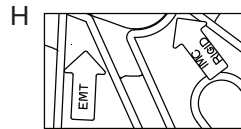
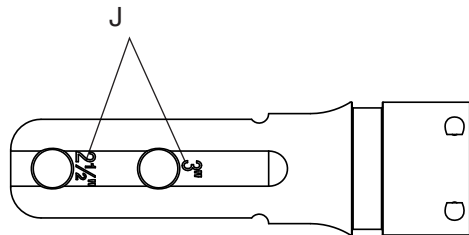
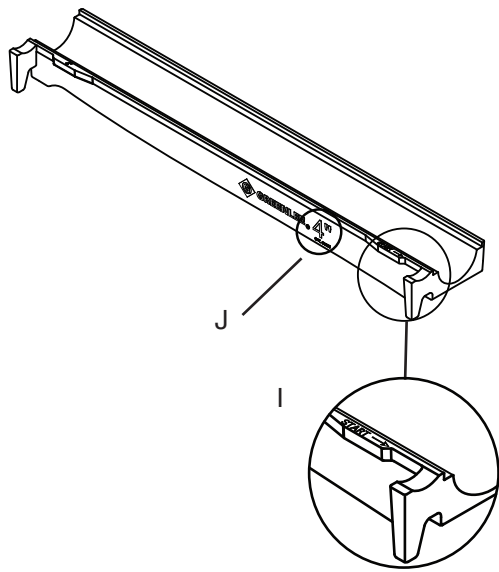
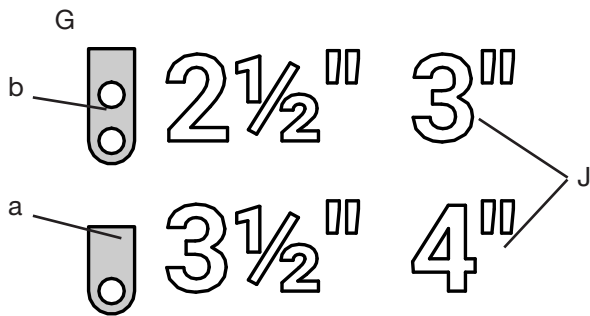
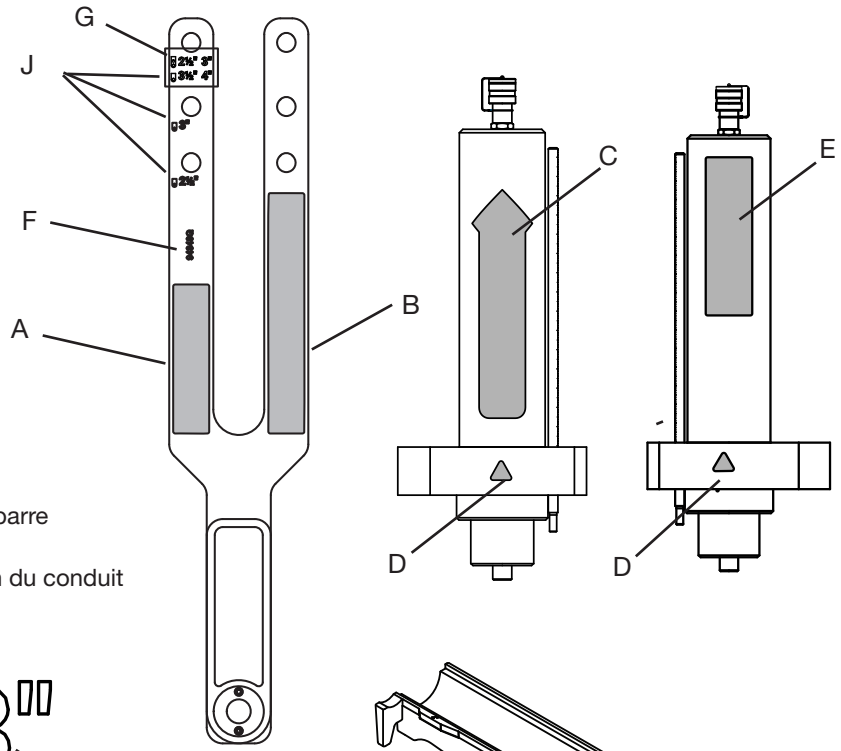
**Identification de l'outil**

1. Vérin
2. Agrafe élastique
3. Chape
4. Chape déployée
5. Goupille à ressort de la chape
6. Bloc-cylindres
7. Goupilles d'attelage du bloc-cylindres
8. Agrafes pour goupille d'attelage du bloc-cylindres
9. Fourches de raccordement
10. Rouleau
11. Agrafes pour goupille d'attelage du rouleau
12. Support de piston
13. Graduation du vérin
14. Flexible hydraulique
15. Coupleur hydraulique
16. Goupille à ressort de l'étrier
17. Groupe de sabot de 2-1/2 po
18. Groupe de sabot de 3 po
19. Groupe de sabot de 3-1/2 po
20. Groupe de sabot de 4 po
  - a. Sabot de cintrage
  - b. Étrier
  - c. Barre de serrage



**Autocollants, repères et emplacements**

- A. Autocollant de la table de course du vérin
- B. Autocollant de la table du repère de cintrage
- C. Autocollant du logo Greenlee
- D. Autocollant du risque d'écrasement
- E. Autocollant de l'avertissement
- F. Numéro de catalogue de la fourche de connexion
- G. Marques de position du bloc-cylindres
  - a. Marque de la chape
  - b. Marque de la chape déployée
- H. Marque du type de conduit du sabot
- I. Marque « START » (DÉMARRER) de la barre de serrage
- J. Marque d'identification de la dimension du conduit



## Inspection avant utilisation

### **MISE EN GARDE**



- **Tous les jours avant l'utilisation, inspecter l'outil et corriger tout problème afin de réduire le risque de blessure et d'éviter d'endommager le produit.** Si des problèmes sont détectés, ne pas utiliser l'outil tant que les problèmes n'ont pas été corrigés, le non-respect de ces étapes augmente le risque de blessures.
- **Le liquide sous pression peut aisément percer la peau et provoquer des blessures graves, une gangrène ou la mort. Ne pas utiliser les mains pour contrôler l'étanchéité. Rester à l'écart des composants sous pression.** Mettre le circuit hydraulique hors pression avant de débrancher le flexible/les fixations ou d'effectuer l'entretien. En cas de lésion, consulter immédiatement un médecin pour extraire l'huile.

1. Dépressuriser et déconnecter la pompe avant d'inspecter la cintruse. Inspecter visuellement le joint de piston, les raccords et les raccordements des flexibles de la cintruse à la recherche de fuites du liquide hydraulique. Si du liquide est présent, ne pas utiliser la cintruse et l'envoyer pour entretien.
2. Nettoyer l'huile, la graisse ou la saleté sur les pièces et les accessoires de la cintruse. Cela facilite l'inspection et aide à éviter que la machine ou la commande ne glisse des mains. Nettoyer et entretenir conformément aux instructions d'entretien.
3. Contrôler l'état de l'outil et le niveau d'usure avant toute utilisation. Ne pas utiliser si des pièces sont usées, corrodées ou fissurées.
4. Vérifier que l'outil est assemblé correctement et est complet, ne pas l'utiliser si des pièces sont manquantes ou mal alignées. Un élément endommagé, usé ou mal assemblé peut casser et projeter des débris.
5. Vérifier la présence et l'état des mises en garde et des autocollants.
6. Inspecter tout autre équipement et accessoire du système de cintrage conformément à ses manuels d'instructions.

En cas d'utilisation de la chape déployée, inspecter le vérin et vérifier que le support de piston (Fig. 1) est installé. Ne pas cintrer avec la chape déployée si le support de piston n'est pas installé. Un vérin non soutenu peut se déplacer pendant le cintrage, ce qui entraîne de mauvais cintrages et des dommages à l'outil qui augmentent le risque de rupture des pièces et de blessures.

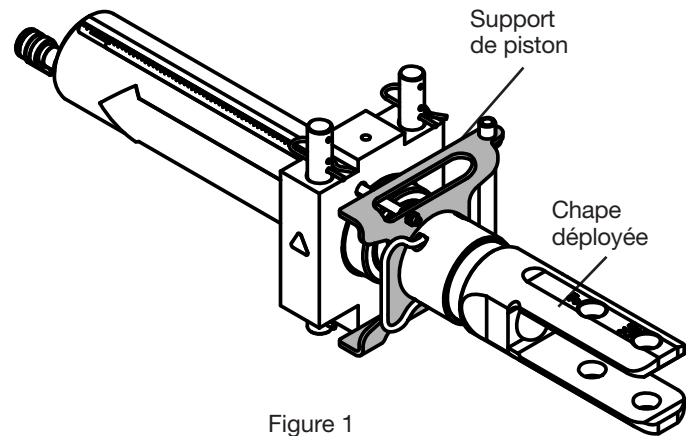


Figure 1

Si des problèmes sont détectés, ne pas utiliser l'outil tant que les problèmes n'ont pas été corrigés. Le non-respect de ces instructions augmente le risque de blessure.

## Fonctionnement et configuration\* de l'outil

### ⚠ MISE EN GARDE



- **Ne pas se tenir directement dans l'axe de la barre de serrage, du vérin hydraulique ou du conduit pendant le pliage.** La cintruse est soumise à une pression élevée pendant son utilisation et peut potentiellement briser et projeter des pièces, provoquant ainsi des blessures graves.
- **Veiller à ce que les doigts, les mains et les autres parties du corps ne s'approchent pas de la cintruse, des accessoires, du conduit et des pièces mobiles.** Les membres du corps peuvent être heurtés, écrasés, fracturés ou amputés s'ils se retrouvent coincés entre les éléments de fixation ou entre ces éléments et tout autre objet.
- **Ne pas plier le tube électrique métallique (TEM) en aluminium.** Le conduit peut se briser et causer des blessures graves.
- **Certaines pièces et certains accessoires de cet outil sont lourds.** Utiliser des techniques de levage appropriées pour réduire le risque de blessure.
- **Utiliser la combinaison appropriée d'accessoires pour la dimension spécifique du conduit.** Les cintrages seront inexacts et des blessures ou des dommages à l'outil pourraient en résulter.
- **Une bonne configuration est essentielle pour minimiser les risques pendant l'utilisation.** Configurer l'outil et aménager la zone de travail conformément aux procédures suivantes pour réduire le risque de blessure.
- **Une personne doit contrôler le processus de travail et le fonctionnement de la machine.** Seul l'opérateur doit se trouver dans la zone de travail lorsque la machine fonctionne. Cela permet de réduire les risques de blessures.
- **Faire preuve de vigilance, de concentration et de bon sens lors de l'utilisation de cette cintruse.** Ne pas utiliser cette cintruse si l'on est fatigué ou sous l'emprise de drogues, d'alcool ou de médicaments. Un instant d'inattention durant l'utilisation d'un outil électrique peut entraîner des blessures graves.
- **Le liquide sous pression peut aisément percer la peau et provoquer des blessures graves, une gangrène ou la mort. Ne pas utiliser les mains pour contrôler l'étanchéité. Rester à l'écart des composants sous pression.** Dépressuriser le système hydraulique avant de toucher le flexible ou les fixations. En cas de lésion, consulter immédiatement un médecin pour extraire l'huile.

Lorsque le système de cintrage 881 doit être utilisé depuis le sol, suivre les étapes suivantes pour la configuration et l'utilisation. Voir le manuel d'instructions de la **table de cintrage mobile pour la cintruse hydraulique 881** pour les informations relatives au montage et au fonctionnement de la table de cintrage mobile.

1. Vérifier la zone de travail pour s'assurer :
  - que l'éclairage est adéquat.
  - qu'un endroit clair, à niveau, stable et sec pour tous les équipements et un espace qui permet à l'opérateur de travailler confortablement et selon les instructions d'utilisation de l'outil pour réduire le risque de blessures.
  - qu'une zone bien marquée et facilement reconnaissable dans la zone de travail afin d'éviter que des personnes s'y introduise pendant que l'outil est utilisé. Par exemple, placer des barrières ou des cônes autour de la zone de travail.
2. Inspecter le travail à effectuer. Déterminer quel sabot, quelle barre de serrage et quel étrier sont nécessaires pour la taille et le type de conduit. Ne pas utiliser le bon sabot, la bonne barre de serrage et le bon étrier provoque des cintrages de mauvaise qualité et augmente le risque d'endommager l'outil et de se blesser.
3. Vérifier que tous les équipements connexes ont été inspectés.
4. Fixer le rouleau aux extrémités de la fourche de connexion, avec les autocollants et les marques vers l'extérieur, et les fixer à l'aide des agrafes pour goupille d'attelage. (Fig. 2)

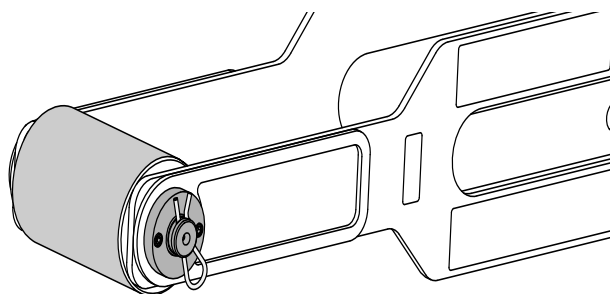


Figure 2

5. Positionner le bloc-cylindres de façon à ce que la graduation du vérin soit orientée vers le sol, puis glisser le vérin entre les fourches de connexion. (Fig. 3)

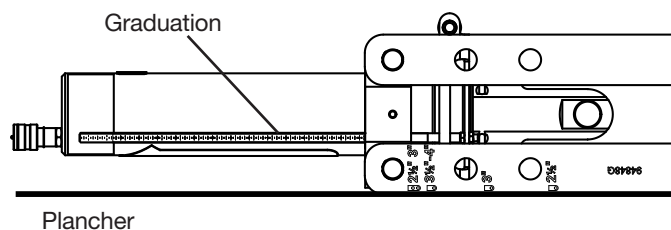


Figure 3

- Aligner les trous du bloc-cylindres dans la position appropriée pour la taille du conduit et la chape. (Fig. 4) Faire attention aux marques sur les fourches de connexion, si le bloc-cylindres est dans une mauvaise position, le vérin pourrait se déployer excessivement et endommager l'outil.
  - La chape est utilisée pour les conduits de 2-1/2 po - 4 po et le bloc-cylindres doit être placé à l'endroit marqué pour la taille du conduit.
  - La chape déployée est uniquement utilisée pour les conduits de 2-1/2 po et 3 po et le bloc-cylindres doit être placé en position supérieure.

TAILLE DU CONDUIT	RACCORDEMENTS DU SABOT, DE LA CHAPE ET DU BLOC CYLINDRE	
2-1/2 po		
3 po		
3-1/2 po		
4 po		

Figure 4

- Fixer la chape appropriée au piston de vérin à l'aide de l'agrafe élastique. (Fig. 5) Pour plier des conduits de 3-1/2 po - 4 po après avoir utilisé la chape déployée, passer à la chape et laisser le bloc-cylindres en position supérieure.

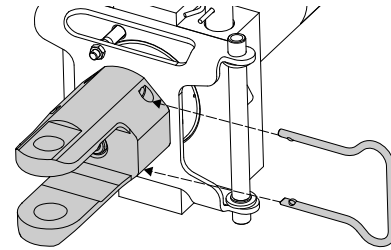


Figure 5

- Insérer l'attelage du bloc-cylindres du côté où le bloc-cylindres dépasse les fourches de connexion (Fig. 6).

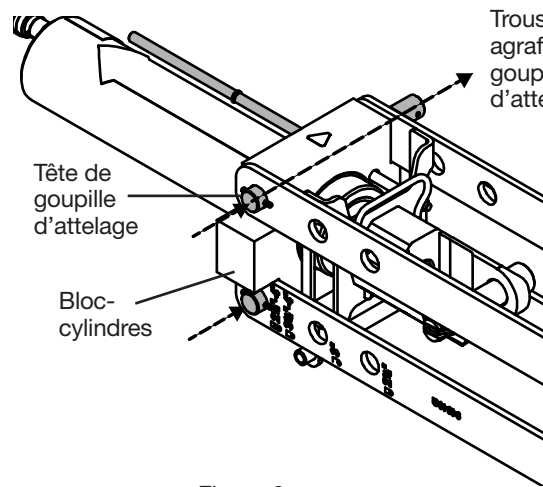


Figure 6

- Tout en maintenant la tête de goupille d'attelage serrée contre la face de la fourche de connexion, insérer l'agrafe dans le trou le plus proche de la face opposée de la fourche de connexion. Recommencer pour la deuxième goupille. (Fig. 7)

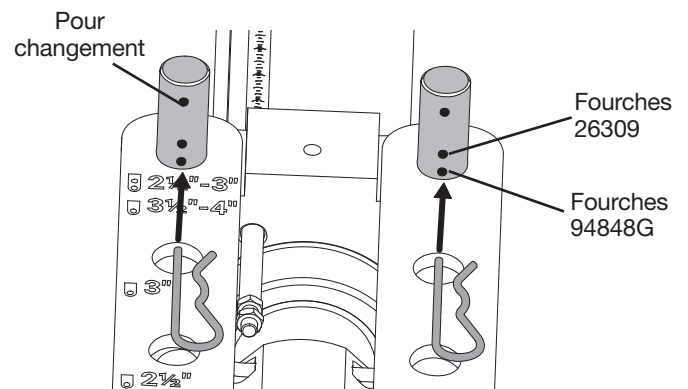


Figure 7

10. Tourner la cintreuse assemblée sur le bloc-cylindres de manière à ce que les agrafes pour goupille d'attelage et la graduation du vérin soient tournées vers le haut (Fig. 8). Le bloc-cylindres est conçu pour mettre à niveau le cylindre de la cintreuse lors du cintrage au sol.

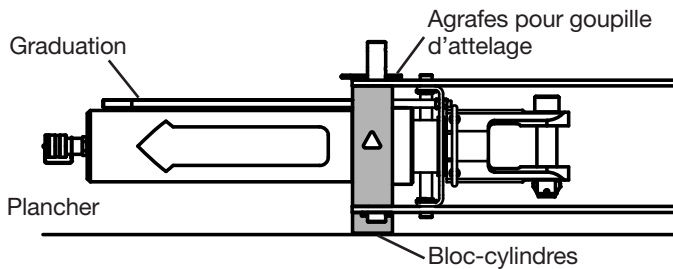


Figure 8

11. Disposer le sabot entre les fourches de connexion de manière à ce que la connexion de l'étrier soit à gauche. Aligner la chape avec la connexion TEM ou IMC/rigide sur le sabot en fonction du type de conduit à cintrer. Introduire la broche de chape dans l'étrier et le sabot jusqu'à ce que les bascules se déploient complètement de l'autre côté. (Fig. 9)

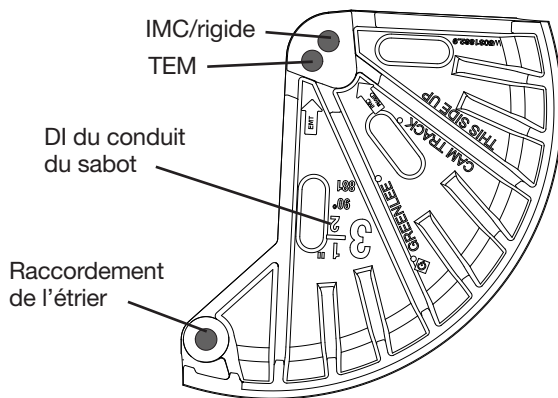


Figure 9

12. Avec les cornes tournées vers le vérin, insérer l'extrémité « START » (DÉMARRER) de la barre de serrage depuis la droite des fourches de connexion sur le rouleau. (Fig. 10)

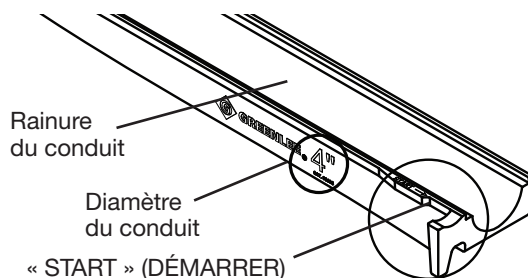


Figure 10

13. Une fois que l'extrémité « START » (DÉMARRER) a dépassé le rouleau, tourner la barre de serrage de façon à ce que la rainure du conduit soit vers le vérin et que les cornes de la barre de serrage touchent le sol. (Fig. 11)

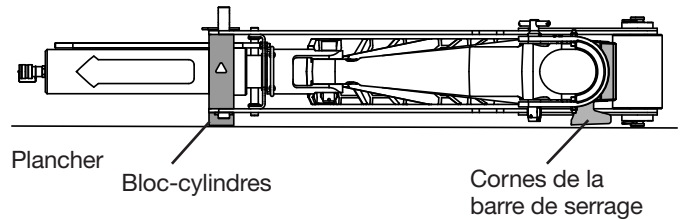


Figure 11

Pour passer à d'autres groupes de sabots, retirer les agrafes pour goupille d'attelage du bloc-cylindres, si nécessaire, et les introduire dans le trou le plus à l'extérieur de la goupille d'attelage (Fig. 7). Soulever la fourche de connexion suffisamment pour permettre le passage de la barre de serrage.

Replacer les agrafes pour goupille d'attelage dans les trous appropriés pour le cintrage. Ne pas plier sans que les agrafes pour goupille d'attelage soient installées, des cintrages de mauvaise qualité et des dommages à l'outil pourraient survenir.

14. Préparer le conduit en marquant les cintrages conformément aux instructions de la section Cintrage de base de ce manuel.
15. Vérifier que les rainures du conduit, du sabot et de la barre de serrage sont propres. Les débris sur les surfaces de cintrage augmentent le risque de plissement ou de froissement du conduit et peuvent endommager les rainures sur le sabot et la barre de serrage.
16. Insérer le conduit dans la cintreuse. Pousser le conduit de façon à ce que l'extrémité dépasse le sabot d'au moins quelques centimètres.
17. Disposer l'étrier autour du conduit à l'avant du sabot, la lèvre de l'étrier étant orientée à l'opposé de la barre de serrage. Introduire la broche de l'étrier à fond dans les trous du sabot et de l'étrier jusqu'à ce que les bascules se déploient complètement.
18. Ajuster l'étrier et le sabot de façon à ce que le bord arrière touche la barre de serrage. (Fig. 12)
19. Ajuster le conduit de manière à ce que la marque de cintrage appropriée soit alignée avec la lèvre de l'étrier. Consulter la section **Bases du cintrage** pour obtenir des instructions supplémentaires sur le marquage des conduits.

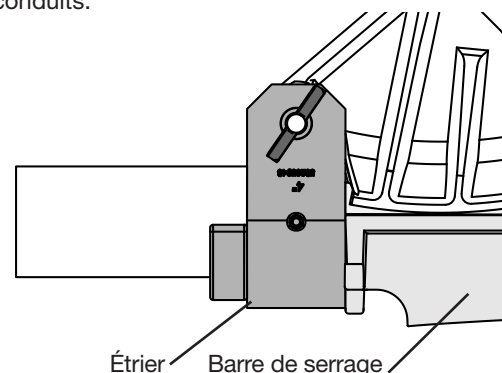


Figure 12



20. Placer une pompe hydraulique série 900 Greenlee à côté de la cintreuse sur le sol de façon à ce que l'avant de la pompe soit face à l'opérateur.
21. Fixer l'extrémité libre du flexible du vérin au coupleur de pompe, s'assurer que le coupleur est complètement serré pour garantir le bon fonctionnement du vérin. De mauvais raccords peuvent empêcher le retrait du vérin une fois que le cintrage est effectué.
22. Adopter une position de travail appropriée où on ne se trouve pas dans la trajectoire du conduit ou du vérin et où on peut voir clairement la graduation et la pompe de la cintreuse. (Fig. 14)
23. Visser le conduit en faisant avancer le vérin selon les instructions de la pompe. Le conduit est bien vissé lorsque le sabot, le conduit et la barre de serrage sont serrés. Arrêter la pompe avant que le conduit ne commence à se cintrer.
24. Déplacer le joint torique de la graduation en position Z. Voir la section **Calculer la course du vérin** pour l'équation et les tableaux.
25. Contrôler le processus de cintrage. Avancer le vérin en position Z. Le cintrage est terminé lorsque le joint torique atteint le haut du bloc-cylindres. Rester hors de la trajectoire du conduit et du vérin pendant que la cintreuse est en mouvement.
26. Une fois le cintrage terminé, actionner la pompe, conformément à ses instructions, pour ramener le vérin à la position de départ pour le cintrage suivant.
27. Retirer la broche de l'étrier, la selle et le conduit de la cintreuse. Comprimer les bascules et tirer les broches de l'étrier et de la selle pour déconnecter les accessoires. (Fig. 15)
28. Inspecter le cintrage terminé.

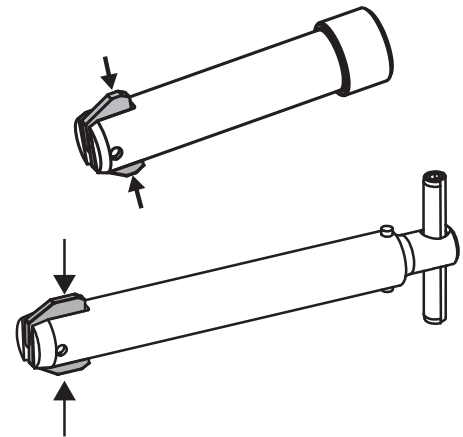


Figure 15

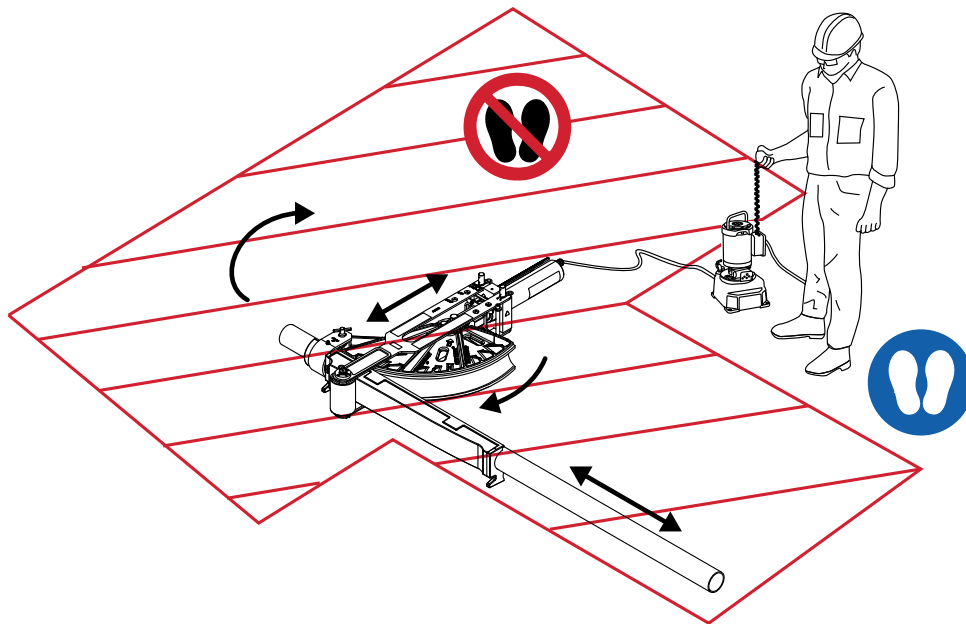


Figure 14



## Calculer la course du vérin pour l'angle de cintrage

Après avoir vissé le conduit, le vérin doit parcourir une certaine distance pour obtenir l'angle de cintrage souhaité (tableau 1). Un joint torique en caoutchouc sur la graduation du vérin est utilisé pour indiquer la position à laquelle l'angle de cintrage est atteint. Utiliser les indications ci-dessous pour déterminer où placer le joint torique en caoutchouc sur la graduation du vérin.

- Serrer la cintreuse en faisant avancer le vérin jusqu'à ce que le sabot, le conduit et la barre de serrage soient fermement serrés. Le conduit ne doit pas pouvoir se tordre entre l'étrier et le sabot.
- Calculer  $Z = X + Y$ 
  - $Z$  = Position d'arrêt sur la graduation du vérin en fonction de  $X$  et  $Y$ .
  - $X$  = Lecture de la graduation en position de vissage  
 $X$  se trouve là où la graduation et le haut du bloc-cylindres se rejoignent.
  - $Y$  = La course du vérin indiquée dans le tableau 1. Il s'agit de la distance que le vérin doit parcourir pour obtenir l'angle de cintrage souhaité pour une taille de conduit spécifique.
- Déplacer l'anneau en caoutchouc vers la position  $Z$  qui a été calculée. (Fig. 16)
- Avancer le vérin en position  $Z$ . Surveiller le cintrage et s'arrêter lorsque l'anneau en caoutchouc touche le haut du bloc-cylindres. (Fig. 17)

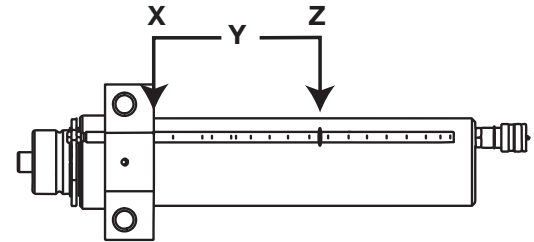


Figure 16

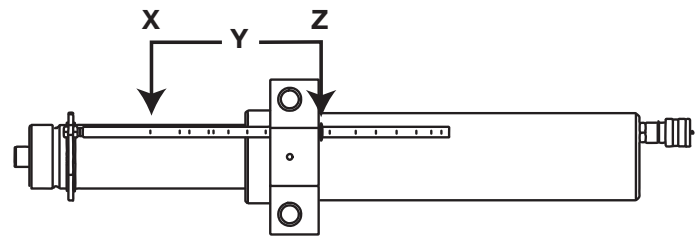


Figure 17

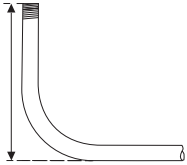
\*Ce tableau indique la distance ( $Y$ ) que le vérin doit parcourir pour effectuer un cintrage. Ces valeurs ne correspondent pas à la position finale située sur la graduation.

TABLEAU 1 COURSE DU VÉRIN* - « Y » (VALEURS APPROXIMATIVES)				
ANGLE DE CINTRAGE	TEM (TAILLE DU CONDUIT - po)			
	2-1/2	3	3-1/2	4
10°	13/16	15/16	1	7/8
15°	1-1/16	1-5/16	1-3/8	1-3/8
30°	2	2-7/16	2-3/8	2-7/16
45°	2-15/16	3-11/16	3-3/8	3-5/8
60°	3-13/16	4-13/16	4-3/8	4-7/8
90°	5-5/16	6-13/16	6-11/16	7-1/4
ANGLE DE CINTRAGE	IMC (TAILLE DU CONDUIT - po)			
	2-1/2	3	3-1/2	4
10°	1-1/8	1-3/16	1-1/16	1-3/16
15°	1-9/16	1-11/16	1-1/2	1-13/16
30°	2-7/8	3-1/4	3	3-3/16
45°	4-5/16	5	4-3/8	4-13/16
60°	5-13/16	6-3/4	5-13/16	6-7/16
90°	8-1/8	9-5/8	8-13/16	9-11/16
ANGLE DE CINTRAGE	RIGIDE (TAILLE DU CONDUIT - po)			
	2-1/2	3	3-1/2	4
10°	1-1/16	1-3/16	1	1-1/16
15°	1-1/2	1-11/16	1-1/2	1-11/16
30°	2-7/8	3-5/16	2-7/8	3-3/16
45°	4-1/4	5	4-1/4	4-13/16
60°	5-5/8	6-11/16	5-3/4	6-7/16
90°	8-1/8	9-9/16	8-3/4	9-11/16

## Bases du cintrage

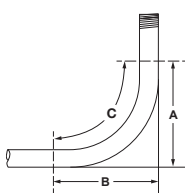
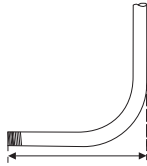
Les dessins, les instructions et les tableaux de cintrage qui suivent ont pour objet de fournir les renseignements nécessaires pour la réalisation des types de cintrage les plus courants. Les « tableaux de cintrage spéciaux », à la fin de ce manuel, contiennent des mesures précises utilisées pour trouver les marques des cintrages les plus courantes. Certains types de cintrage ont leurs propres tableaux qui fournissent des valeurs pour trouver les marques de cintrage. Vous trouverez ci-dessous quelques-uns des termes les plus courants utilisés dans le domaine du cintrage.

### Glossaire



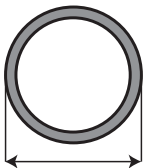
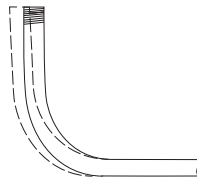
**Colonne/élévation** — La distance entre l'extrémité d'une section verticale d'un conduit ou tuyau et le cintrage; mesurée de l'extrémité à la ligne centrale, au bord intérieur ou au bord extérieur du conduit ou du tuyau.

**Longueur de patte** — La distance entre l'extrémité d'une section horizontale d'un conduit ou tuyau et le cintrage; mesurée de l'extrémité à la ligne centrale, au bord intérieur ou au bord extérieur du conduit ou du tuyau.



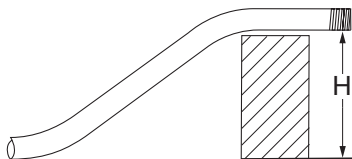
**Gain** - La différence entre les distances à angle droit A et B et la distance plus courte C. Comme les tuyaux se cintrant dans un rayon et non dans un angle droit, la longueur de tuyau nécessaire pour un cintrage ne sera pas égale à la longueur totale déterminée.

**Retour élastique** — La mesure exprimée en degrés dans laquelle un conduit ou tuyau tend à se redresser sur le vérin de la cintrreuse. Par exemple, un cintrage de 90°, une fois la pression relâchée, reviendra à environ moins deux degrés, c'est-à-dire à 88°.

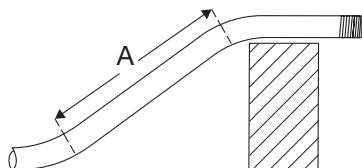


**Diamètre extérieur** — La dimension de toute partie de conduit ou de tuyau mesurée par son diamètre extérieur.

**Hauteur/profondeur de décalage** - La distance sur laquelle le conduit ou le tuyau doit être réacheminé pour éviter une obstruction.



**Distance centre à centre** — La distance entre deux coudes successifs formant un décalage ou un étrier à trois cintrages.



**Vissage** - Le processus de fixation du conduit entre le sabot et l'étrier en avançant le vérin suffisamment pour maintenir le conduit en place mais pas assez pour commencer à le cintrer.

**Course du vérin** - La distance que le vérin d'une cintrreuse hydraulique doit parcourir pour atteindre un angle de cintrage spécifique.

**Longueur déterminée/développée** - La longueur réelle du tuyau qui sera cintrée.

**Longueur minimale de la colonne** - Une colonne doit être égale ou supérieure à cette valeur pour éviter d'écraser les filetages et la mauvaise qualité des cintrages.

**Déduction** - Une valeur calculée pour représenter le gain lors du cintrage. Cette valeur est spécifique à la taille et au type de conduit à cintrer.

**Angle de cintrage** - L'angle de cintrage cible.

**Coude** - Un cintrage, généralement inférieur à 45°, effectué pour changer la direction d'une section de tuyau.

**Ligne centrale** - La ligne imaginaire passant par le centre du conduit.

**Rayon de cintrage** - Le rayon tel que mesuré à partir de l'endroit où se trouve le centre du cintrage. Il s'agit d'un nombre fixe basé sur le sabot de cintrage.

**Cintrage coudé** - Cintrage, généralement de 45° maximum, effectué pour changer la direction d'une section de tuyau qui n'est pas sur le même plan.

**Cintrages avec grand rayon de courbure** - Tout cintrage qui dépasse le rayon des sabots de cintrage à 90° en un coup fournis avec les cintrreuses hydrauliques en un coup.

**Retour** - Lors de la réalisation d'un cintrage à 90° ayant une longueur de la patte (ou une élévation) définie, le centre du cintrage doit être localisé lors de l'utilisation de certaines cintrreuses. Pour ce faire, mesurer d'abord la longueur de la patte à partir de l'extrémité de la section droite du tuyau. Ensuite, « revenir » à la moitié du gain pour localiser le centre du cintrage.

**Indicateur d'angle** - Il s'agit d'un instrument conçu pour indiquer l'angle exact du cintrage pendant sa réalisation.

**Rapporteur d'angle** - Conçu pour être utilisé avec les cintrreuses montées sur la table de cintrage. Mesures des angles : a également une échelle pour les cintrages de 18°, 20°, 21° et 22° lorsqu'on l'utilise pour faire un grand cintrage.

**Cintrage de segments** - Tout cintrage formé par une série de cintrages de quelques degrés chacun, plutôt que par un seul cintrage d'un seul coup.

## Réaliser un cintrage

1. Installer la cintruse hydraulique 881 conformément aux instructions de ce manuel et utiliser les accessoires spécifiques au conduit à cintrer.
2. Examiner la zone de travail et choisir la taille et le type de conduit. Le conduit détermine quel ensemble de numéros de table est utilisé pour trouver les marques de cintrage.
3. Déterminer la hauteur de la colonne (H) et l'angle de cintrage. (Fig. 18) Ces valeurs déterminent les nombres appropriés nécessaires provenant des tableaux de cintrage. Les différents types de cintrages utilisent des tableaux et des variables différents; il faut suivre les instructions relatives au type de cintrage pour savoir quelles variables sont nécessaires.

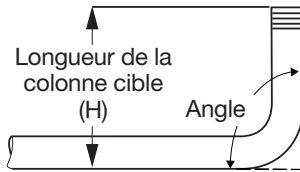


Figure 18

4. Marquer le conduit en suivant les instructions relatives au type de cintrage et en utilisant les tableaux appropriés. Les tableaux de cintrage spéciaux sont utilisés, sauf indication contraire.
5. Insérer le conduit entre l'étrier et le sabot. Aligner la marque de cintrage appropriée avec la lèvre de l'étrier et s'assurer que la barre de serrage touche l'arrière de celui-ci. (Fig. 19)

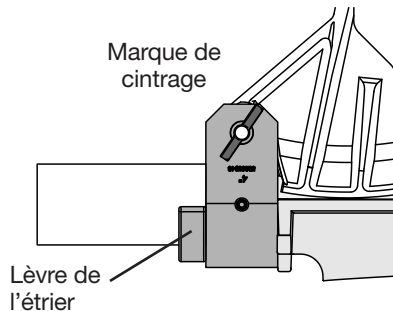


Figure 19

6. Visser la cintruse. Avancer le vérin jusqu'à ce que le conduit ne puisse plus bouger mais avant que le conduit ne soit effectivement cintré.
7. Calculer la position Z (voir Course du vérin) pour l'angle de cintrage souhaité et déplacer l'anneau en caoutchouc sur la graduation du vérin pour le marquer.
8. Avancer le vérin en position Z.
9. Inverser le vérin jusqu'à ce qu'il soit complètement rétracté pour libérer le conduit. Retirer le conduit et vérifier le cintrage.

## Marques de cintrage

### Marques de cintrage à moins de 90°

1. Dans le tableau de cintrage spécial approprié, utiliser la hauteur (H) et l'angle de la colonne pour trouver Y. (Fig. 20)
2. Mesurer la distance Y à partir de l'extrémité du conduit et placer la marque de cintrage à cet endroit. (Fig. 21)

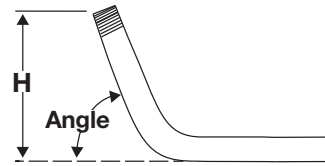


Figure 20

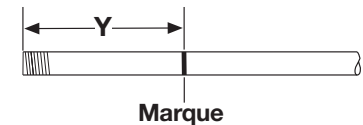


Figure 21

### Marques de cintrage à 90°

1. Faire la MARQUE 1 en mesurant la longueur de la colonne cible (H). (Fig. 22)
2. Réaliser la MARQUE 2 en mesurant la DÉDUCTION (tableau 2) à partir de la MARQUE 1 vers les filetages. (Fig. 23) La distance entre la MARQUE 2 et l'extrémité du conduit ne peut être inférieure à la LONGUEUR MINIMALE DE LA COLONNE.

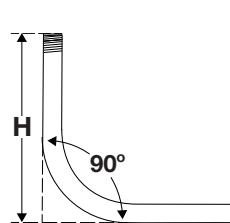


Figure 22

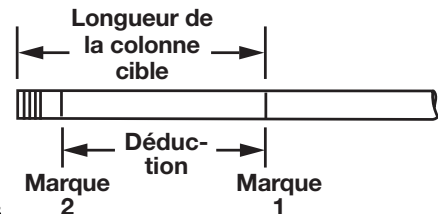


Figure 23

**TABLEAU 2—HAUTEUR MINIMALE DE LA COLONNE, DÉDUCTION (PO)**

TAILLE DU CONDUIT	2-1/2	3	3-1/2	4
<b>TEM</b>				
DÉDUCTION	21-1/2	24	27-3/4	32-1/4
DISTANCE MINIMALE DE L'EXTRÉMITÉ DU CONDUIT	24	27	31-1/4	36-1/4
HAUTEUR MINIMALE DE LA COLONNE	2-1/2	3	3-1/2	4
<b>IMC RIGIDE</b>				
DÉDUCTION	21-1/2	24-1/4	28-1/4	32-1/2
DISTANCE MINIMALE DE L'EXTRÉMITÉ DU CONDUIT	24	26-3/4	30-3/4	35
HAUTEUR MINIMALE DE LA COLONNE	2-1/2	2-1/2	2-1/2	2-1/2

## Décalages

Un décalage est effectué pour éviter qu'une obstruction ne bloque le passage du conduit. Pour faire un décalage, il faut deux cintrages égaux dans des directions opposées pour créer une montée qui contournera l'obstruction. En fonction de la position finale souhaitée, les positions des marques sont basées sur des valeurs différentes dans les tableaux.

### Décalage centre à centre (Fig. 24)

1. Sélectionner la taille et le type de conduit. Mesurer la hauteur (H) de l'obstruction. Utiliser la colonne dont le décalage permet de surmonter l'obstacle pour trouver les mesures X et A.
2. Faire la MARQUE 1 en mesurant la distance entre l'extrémité du conduit et le début souhaité du premier cintrage.
3. Faire la MARQUE 2 sur le conduit en soustrayant X (tableau 3) de la MARQUE 1.

*La distance de la MARQUE 2 à l'extrémité du conduit ne peut être inférieure à la DISTANCE MINIMALE DE L'EXTREMITÉ DU conduit pour éviter d'écraser les filetages et les cintrages de mauvaise qualité.*

4. Trouver la distance « A » (tableau 4). Faire la MARQUE 3 sur le conduit en mesurant cette distance à partir de la MARQUE 2.
5. Aligner la MARQUE 2 avec le bord extérieur de l'étrier pour le premier cintrage. Avancer le vérin jusqu'à la position Z calculée pour l'angle souhaité.
6. Tourner le conduit de 180°. Aligner la MARQUE 3 avec le bord extérieur de l'étrier pour le deuxième cintrage.

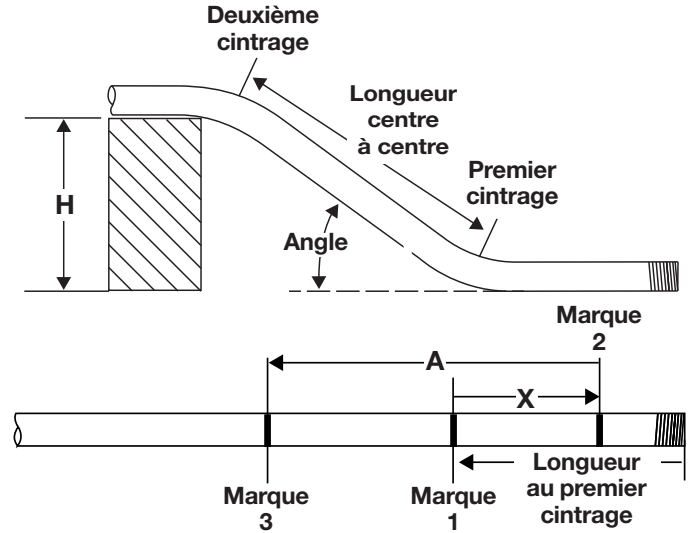


Figure 24

TABLEAU 3 DISTANCE « X » (po)					
TAILLE DU CONDUIT		2-1/2	3	3-1/2	4
TEM	X	6-5/32	5-3/4	6-9/16	8-1/2
	DISTANCE MINIMALE DE L'EXTREMITÉ DU CONDUIT	2-1/2	3	3-1/2	4
IMC/RIGIDE	X	6-5/32	6	7	8-3/4
	DISTANCE MINIMALE DE L'EXTREMITÉ DU CONDUIT	2-1/2	2-1/2	2-1/2	2-1/2

TABLEAU 5 MULTIPLICATEURS « DE DÉCALAGE »	
ANGLE DE CINTRAGE	MULTIPLICATEUR
15°	3,86
30°	2
45°	1,4

TABLEAU 4 DISTANCE* « A » (po) (VALEURS APPROXIMATIVES)						
Pour les distances de décalage qui ne figurent pas dans ce tableau, calculer « A » en multipliant le multiplicateur approprié (tableau 5) par le DÉCALAGE souhaité.						
DÉCALAGE	15°		30°		45°	
	TAILLE DE COND. MAX.	A	TAILLE DE COND. MAX.	A	TAILLE DE COND. MAX.	A
2	3/4	7-3/4				
4	1-1/2	15-7/16	3/4	8		
6	3-1/2	23-3/16	1-1/2	12	1/2	8-1/2
8	4	30-15/16	2	16	1	11-5/16
10	4	38-5/8	3-1/2	20	1-1/4	14-1/8
12	4	46-3/8	4	24	1-1/2	16-15/16
14	4	54-1/16	4	28	2	19-13/16
16	4	61-13/16	4	32	2-1/2	22-5/8
18	4	69-9/16	4	36	3	25-7/16
20	4	77-1/4	4	40	3-1/2	28-1/4
22	4	85	4	44	4	31-1/8

\* Les valeurs « A » de ce tableau sont les mêmes pour tout conduit inférieur au maximum. Les valeurs en gris sont données à titre indicatif. La cintreuse 881 ne peut pas cintrer les conduits de moins de 2-1/2 po.

## Réaliser un décalage après une obstruction (Fig. 25)

Pour réaliser un décalage après l'obstruction, il est nécessaire de déterminer l'emplacement du premier cintrage (MARQUE 1). La distance centre à centre est ensuite utilisée pour déterminer l'emplacement du deuxième cintrage (MARQUE 2).

1. Trouver le tableau de cintrage spécial pour la taille et le type de conduit. Dans le tableau, trouver la ligne avec l'angle de cintrage et la colonne avec la hauteur de colonne souhaitée. Utiliser les valeurs des intersections pour trouver les marques de cintrage.
2. Soustraire X de la LONGUEUR DU PREMIER CINTRAGE pour trouver la position de la MARQUE 1.
3. Mesurer L1 à partir de la MARQUE 1 et placer la MARQUE 2 ici.
4. Aligner la MARQUE 2 avec le bord extérieur de l'étrier pour le premier cintrage.
5. Faire pivoter le conduit de 180° et aligner la MARQUE 1 avec le bord extérieur de l'étrier pour le deuxième cintrage.

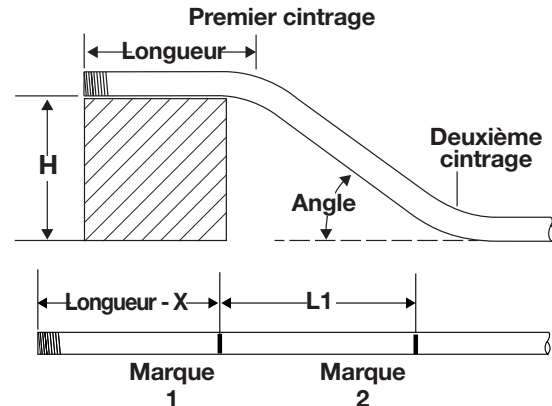


Figure 25

## Réaliser un décalage avant une obstruction (Fig. 26)

Pour réaliser un décalage avant une obstruction, il est nécessaire de déterminer l'emplacement du deuxième cintrage. La distance centre à centre est ensuite utilisée pour déterminer l'emplacement du premier cintrage.

1. Trouver le tableau de cintrage spécial pour la taille et le type de conduit. Dans le tableau, trouver la ligne avec l'angle de cintrage et la colonne avec la hauteur de colonne souhaitée. Utiliser les valeurs des intersections pour trouver les marques de cintrage.
2. Soustraire Z de la LONGUEUR DU DEUXIÈME CINTRAGE pour trouver la position de la MARQUE 2.
3. Mesurer L1 à partir de la MARQUE 2 et placer la MARQUE 1 ici.
4. Aligner la MARQUE 2 avec le bord extérieur de l'étrier pour le premier cintrage.
5. Faire pivoter le conduit de 180° et aligner la MARQUE 1 avec le bord extérieur de l'étrier pour le deuxième cintrage.

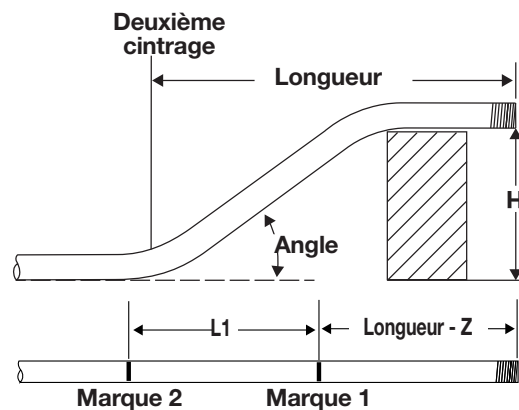


Figure 26

## Cintrage en U ou dos à dos (Fig. 27)

Tout cintrage en U formé par deux cintrages parallèles de 90° comportant une section droite de conduit ou de tuyau entre les deux cintrages.

1. Sélectionner la taille et le type de conduit. Se reporter au graphique qui correspond à la taille et au type de conduit sélectionnés dans les tableaux de cintrage spéciaux.
2. Déterminer la HAUTEUR et la LONGUEUR de la colonne. Sélectionner l'angle de cintrage.
3. Suivre la rangée ANGLE 90° et la colonne HAUTEUR pour le cintrage souhaité. Utiliser les dimensions Y et L1 de cette fenêtre.
4. Repérer la distance Y entre la MARQUE 1 et l'extrémité du conduit/filetage.
5. Ajouter L1 à la MARQUE 1 pour trouver la position de la MARQUE 2.
6. Aligner la MARQUE 1 avec le bord extérieur de l'étrier. Cintrer à 90°.
7. Aligner le MARQUE 2, en gardant le conduit dans le même sens. Cintrer à 90°.

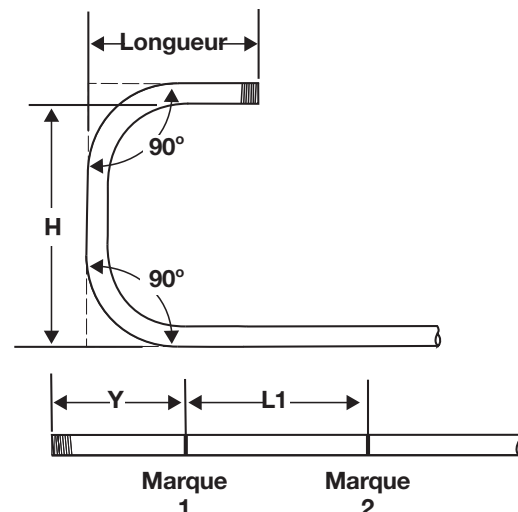


Figure 27

## Cintrages d'étrier

Un étrier crée un pont pour éviter une obstruction bloquant la course du conduit et ramenant l'extrémité du conduit au même niveau que la course initiale du conduit. Il est possible de le réaliser en utilisant trois ou quatre cintrages.

### Étrier à triple cintrage (Fig. 27)

1. Sélectionner la taille et le type de conduit. Se reporter au graphique qui correspond à la taille et au type de conduit sélectionnés dans les tableaux de cintrage spéciaux.
2. Mesurer la HAUTEUR de l'obstruction et la LONGUEUR AU CENTRE de l'étrier. Sélectionner un angle pour les cintrages extérieurs. Le cintrage central sera le double de l'angle sélectionné (c'est-à-dire  $22-1/2^\circ \times 45^\circ \times 22-1/2^\circ$ ).
3. Suivre la rangée ANGLE jusqu'à la colonne HAUTEUR pour le cintrage souhaité. Utiliser les dimensions Z, L1 et L2.
4. Soustraire Z de la longueur au centre et mesurer cette distance à partir de l'extrémité du conduit/filetage pour trouver la MARQUE 1.
5. Mesurer la distance L1 à partir de la MARQUE 1 pour trouver la MARQUE 2.
6. Mesurer la distance L2 à partir de la MARQUE 2 pour trouver la MARQUE 3.
7. Aligner la MARQUE 1 avec le bord extérieur de l'étrier pour le premier cintrage. Cintrer jusqu'à l'angle sélectionné.
8. Tourner le conduit de  $180^\circ$  et aligner la MARQUE 2. Cintrer à deux fois l'angle choisi.
9. Tourner de nouveau le conduit de  $180^\circ$  et aligner la MARQUE 3. Cintrer à l'angle choisi.

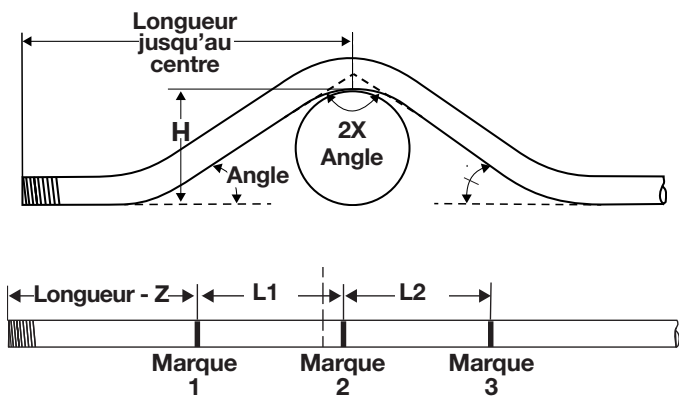


Figure 27

### Étrier à quadruple cintrage (Fig. 28)

1. Sélectionner la taille et le type de conduit. Se reporter au graphique qui correspond à la taille et au type de conduit sélectionnés dans les tableaux de cintrage spéciaux.
2. Mesurer la HAUTEUR de l'obstruction et la LONGUEUR DU DEUXIÈME CINTRAGE jusqu'à l'obstruction et la SECTION DROITE au-dessus de l'obstruction. Sélectionner l'angle pour tous les cintrages.
3. Suivre la rangée ANGLE jusqu'à la colonne HAUTEUR pour le cintrage souhaité. Utiliser les dimensions Z, L1 et L2.
4. Soustraire Z de la longueur au centre et mesurer cette distance à partir de l'extrémité du conduit/filetage pour trouver la MARQUE 1. Mesurer la distance L1 à partir de la MARQUE 1 pour trouver la MARQUE 2.
5. Mesurer la distance L1 à partir de la MARQUE 1 pour trouver la MARQUE 2.
6. Ajouter L2 à la longueur de la section droite et mesurer cette distance à partir de la MARQUE 2 pour trouver la MARQUE 3.
7. Aligner la MARQUE 1 avec le bord extérieur de l'étrier. Cintrer jusqu'à l'angle sélectionné.
8. Tourner le conduit de  $180^\circ$  et aligner la MARQUE 2. Cintrer à l'angle choisi.
9. Aligner la MARQUE 3, en gardant le conduit dans le même sens. Cintrer jusqu'à l'angle sélectionné.
10. Tourner le conduit de  $180^\circ$  et aligner la MARQUE 4. Cintrer à l'angle choisi.

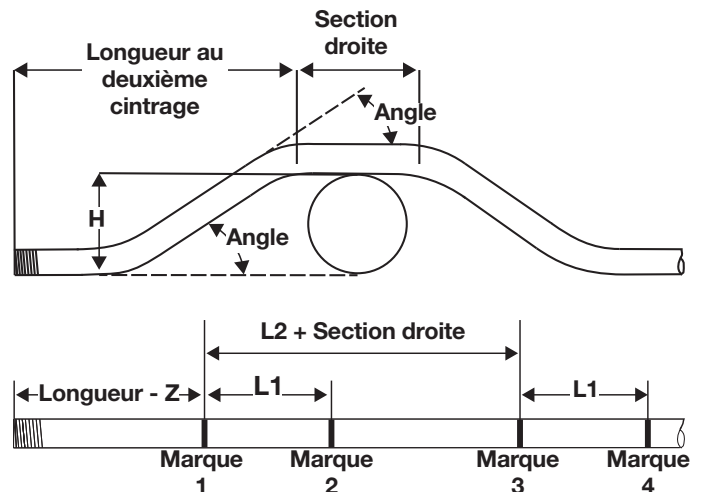


Figure 28



**Tableaux de cintrage spéciaux (po)**

TEM 2-1/2 po												Dia. = 2,875			Rayon = 13,9			x = 6,15		
ANGLE	DIM.	HAUTEUR (H)										H MINIMALE								
		10 po	12 po	15 po	18 po	24 po	30 po	36 po	42 po	48 po	60 po									
15°	Y	25,10	32,83	44,42	56,01	79,19	102,38	125,56	148,74	171,92	218,29	2,54								
	L1	38,62	46,34	57,93	69,53	92,71	115,89	139,07	162,25	185,44	231,80									
	L2	42,26	49,98	61,57	73,16	96,35	119,53	142,71	165,89	189,08	235,44									
	Z	47,13	54,59	65,79	76,99	99,38	121,77	144,16	166,56	188,95	233,73									
22,5°	Y	13,46	18,69	26,53	34,37	50,04	65,72	81,40	97,08	112,76	144,12	4,47								
	L1	26,06	31,29	39,13	46,97	62,64	78,32	94,00	109,68	125,36	156,72									
	L2	31,52	36,74	44,58	52,42	68,10	83,78	99,46	115,14	130,82	162,17									
	Z	35,82	40,65	47,89	55,14	69,62	84,11	98,59	113,08	127,56	156,53									
30°	Y	7,25	11,25	17,25	23,25	35,25	47,25	59,25	71,25	83,25	107,25	6,80								
	L1	19,83	23,83	29,83	35,83	47,83	59,83	71,83	83,83	95,83	119,83									
	L2	27,11	31,11	37,11	43,11	55,11	67,11	79,11	91,11	103,11	127,11									
	Z	30,92	34,38	39,58	44,78	55,17	65,56	75,95	86,35	96,74	117,52									
45°	Y		3,03	7,27	11,52	20,00	28,49	36,97	45,46	53,94	70,91	12,49								
	L1		16,37	20,62	24,86	33,34	41,83	50,31	58,80	67,28	84,25									
	L2		27,29	31,53	35,77	44,26	52,75	61,23	69,72	78,20	95,17									
	Z		29,67	32,67	35,67	41,67	47,67	53,67	56,67	65,67	77,67									
60°	Y			1,49	4,95	11,88	18,81	25,73	32,66	39,59	53,45	19,23								
	L1					26,22	33,15	40,07	47,00	53,93	67,79									
	L2					40,77	47,70	54,63	61,56	68,49	82,34									
	Z					36,06	39,52	42,98	46,45	49,91	56,84									
90°	Y					2,51	8,51	14,51	20,51	26,51	38,51	33,95								
	L1							30,03	36,03	42,03	54,03									
	L2							51,87	57,87	63,87	75,87									
	Z							33,95	33,95	33,95	33,95									

TEM 3 po												Dia. = 3,5			Rayon = 16,48			x = 5,77		
ANGLE	DIM.	HAUTEUR (H)										H MINIMALE								
		10 po	12 po	15 po	18 po	24 po	30 po	36 po	42 po	48 po	60 po									
15°	Y	23,94	31,66	43,25	54,85	78,03	101,21	124,39	147,57	170,76	217,12	2,62								
	L1	38,61	46,34	57,93	69,52	92,70	115,89	139,07	162,25	185,43	231,80									
	L2	42,93	50,65	62,25	73,84	97,02	120,20	143,38	166,57	189,75	236,11									
	Z	47,43	54,89	66,09	77,29	99,68	122,07	144,46	166,86	189,25	234,03									
22,5°	Y	12,51	17,74	25,58	33,42	49,09	64,77	80,45	96,13	111,81	143,17	4,72								
	L1	26,05	31,27	39,11	46,95	62,63	78,31	93,99	109,67	125,35	156,70									
	L2	32,52	37,74	45,58	53,42	69,10	84,78	100,46	116,14	131,82	163,17									
	Z	36,47	41,30	48,54	55,78	70,27	84,75	99,24	113,72	128,21	157,18									
30°	Y	6,31	10,31	16,31	22,31	34,31	46,31	58,31	70,31	82,31	106,31	7,30								
	L1	19,80	23,80	29,80	35,80	47,80	59,80	71,80	83,80	95,80	119,80									
	L2	28,43	32,43	38,43	44,43	56,43	68,43	80,43	92,43	104,43	128,43									
	Z	31,92	35,39	40,58	45,78	56,17	66,56	76,96	87,35	97,74	118,52									
45°	Y		1,90	6,14	10,38	18,87	27,36	35,84	44,33	52,81	69,78	13,73								
	L1			20,50	24,75	33,23	41,72	50,20	58,69	67,17	84,14									
	L2			33,45	37,69	46,18	54,66	63,15	71,63	80,12	97,09									
	Z			34,42	37,42	43,42	49,42	55,42	61,42	67,42	79,42									
60°	Y			0,02	3,48	10,41	17,34	24,26	31,19	38,12	51,98	21,48								
	L1					25,94	32,87	39,80	46,73	53,65	67,51									
	L2					43,20	50,13	57,06	63,98	70,91	84,77									
	Z					38,66	42,12	45,58	49,05	52,51	59,44									
90°	Y					0,00	6,00	12,00	18,00	24,00	36,00	38,73								
	L1								34,93	40,93	52,93									
	L2								60,81	66,81	78,81									
	Z								38,73	38,73	38,73									



TEM 3-1/2 po												Dia. = 4	Rayon = 19,18	x = 6,56
ANGLE	DIM.	HAUTEUR (H)										H MINIMALE		
		10 po	12 po	15 po	18 po	24 po	30 po	36 po	42 po	48 po	60 po			
15°	Y	21,82	29,55	41,14	52,73	75,92	99,10	122,28	145,46	168,65	215,01	3,00		
	L1	38,61	46,34	57,93	69,52	92,70	115,88	139,06	165,25	185,43	231,79			
	L2	43,63	51,36	62,95	74,54	97,72	120,90	144,09	167,27	190,45	236,81			
	Z	48,93	56,39	67,59	78,79	101,18	123,57	145,96	168,36	190,75	235,53			
22,5°	Y	10,53	15,76	23,60	31,43	47,11	62,79	78,47	94,15	109,83	141,19	5,43		
	L1	26,03	31,26	39,10	46,94	62,62	78,30	93,97	109,65	125,33	156,69			
	L2	33,56	38,79	46,63	54,47	70,15	85,83	101,51	117,18	132,86	164,22			
	Z	38,33	43,16	50,40	57,65	72,13	86,62	101,10	115,59	130,37	159,04			
30°	Y	4,30	8,30	14,30	20,30	32,30	44,30	56,30	68,30	80,30	104,30	8,42		
	L1	19,76	23,76	29,76	35,76	47,76	59,76	71,76	83,76	95,76	119,76			
	L2	29,81	33,81	39,81	45,81	57,81	69,81	81,81	93,81	105,81	129,81			
	Z	34,16	37,62	42,82	48,02	58,41	68,80	79,19	89,58	99,98	120,76			
45°	Y			3,88	8,12	16,61	25,09	33,58	42,06	50,55	67,52	15,87		
	L1				24,63	33,12	41,60	50,09	58,57	67,06	84,03			
	L2				39,69	48,18	56,67	65,15	73,64	82,12	99,09			
	Z				40,45	46,45	52,45	58,45	64,45	70,45	82,45			
60°	Y				0,84	7,77	14,7	21,63	28,55	35,48	49,34	24,86		
	L1						32,58	39,51	46,44	53,36	67,22			
	L2						52,66	59,59	66,52	73,45	87,31			
	Z						46,03	49,49	52,96	56,42	63,35			
90°	Y						2,26	8,26	14,26	20,26	32,26	44,92		
	L1									39,77	51,77			
	L2									69,90	81,90			
	Z									44,92	44,92			

TEM 4 PO												Dia. = 4,5	Rayon = 21,50	x = 8,50
ANGLE	DIM.	HAUTEUR (H)										H MINIMALE		
		10 po	12 po	15 po	18 po	24 po	30 po	36 po	42 po	48 po	60 po			
15°	Y	18,61	26,34	37,93	49,52	72,71	95,89	119,07	142,25	165,43	211,80	3,67		
	L1	38,60	46,33	57,92	69,51	92,70	115,88	139,06	162,24	185,43	231,79			
	L2	44,23	51,96	63,55	75,14	98,33	121,51	144,69	167,87	191,05	237,42			
	Z	51,48	58,95	70,14	81,34	103,73	126,12	148,51	170,91	193,30	238,08			
22,5°	Y	7,48	12,70	20,54	28,38	44,06	59,74	75,42	91,10	106,77	138,13	6,53		
	L1	26,02	31,25	39,09	46,93	62,60	78,28	93,96	109,64	125,32	156,68			
	L2	34,46	39,69	47,53	55,37	71,05	86,73	102,41	118,08	133,76	165,12			
	Z	41,20	46,02	53,27	60,51	74,99	89,48	103,96	118,45	132,94	161,91			
30°	Y	1,24	5,24	11,24	17,24	29,24	41,24	53,24	65,24	77,24	101,24	10,01		
	L1	19,74	23,74	29,74	35,74	47,74	59,74	71,74	83,74	95,74	119,74			
	L2	30,99	34,99	40,99	46,99	58,99	70,99	82,99	94,99	106,99	130,99			
	Z	37,34	40,81	46,00	51,20	61,59	71,98	82,38	92,77	103,16	123,94			
45°	Y			0,63	4,87	13,35	21,84	30,32	38,81	47,29	64,27	18,60		
	L1					33,02	41,50	49,99	58,47	66,96	83,93			
	L2					49,90	58,39	66,87	75,36	83,84	100,81			
	Z					50,31	56,31	62,31	68,31	74,31	86,31			
60°	Y					4,20	11,13	18,06	24,99	31,91	45,77	28,86		
	L1						32,33	39,26	46,19	53,11	66,97			
	L2						54,84	61,77	68,70	75,63	89,49			
	Z						50,65	54,11	57,57	61,04	67,97			
90°	Y						2,26	3,75	9,75	15,75	27,75	51,50		
	L1									50,77	50,77			
	L2									84,54	84,54			
	Z									51,50	51,50			

IMC/RIGIDE 2-1/2 po												Dia. = 2,875			Rayon = 13,9			x = 6,15		
ANGLE	DIM.	HAUTEUR (H)										H MINIMALE								
		10 po	12 po	15 po	18 po	24 po	30 po	36 po	42 po	48 po	60 po									
15°	Y	25,10	32,83	44,42	56,01	79,19	102,38	125,56	148,74	171,92	218,29	2,54								
	L1	38,62	46,34	57,93	69,53	92,71	115,89	139,07	162,25	185,44	231,80									
	L2	42,26	49,98	61,57	73,16	96,35	119,53	142,71	165,89	189,08	235,44									
	Z	47,13	54,59	65,79	76,99	99,38	121,77	144,16	166,56	188,95	233,73									
22,5°	Y	13,46	18,69	26,53	34,37	50,04	65,72	81,40	97,08	112,76	144,12	4,47								
	L1	26,06	31,29	39,13	46,97	62,64	78,32	94,00	109,68	125,36	156,72									
	L2	31,52	36,74	44,58	52,42	68,10	83,78	99,46	115,14	130,82	162,17									
	Z	35,82	40,65	47,89	55,14	69,62	84,11	98,59	113,08	127,56	156,53									
30°	Y	7,25	11,25	17,25	23,25	35,25	47,25	59,25	71,25	83,25	107,25	6,80								
	L1	19,83	23,83	29,83	35,83	47,83	59,83	71,83	83,83	95,83	119,83									
	L2	27,11	31,11	37,11	43,11	55,11	67,11	79,11	91,11	103,11	127,11									
	Z	30,92	34,38	39,58	44,78	55,17	65,56	75,95	86,35	96,74	117,52									
45°	Y	0,20	3,03	7,27	11,52	20,00	28,49	36,97	45,46	53,94	70,91	12,49								
	L1			20,62	24,86	33,34	41,83	50,31	58,80	67,28	84,25									
	L2			31,53	35,77	44,26	52,75	61,23	69,72	78,20	95,17									
	Z			32,67	35,67	41,67	47,67	53,67	59,67	65,67	77,67									
60°	Y			1,49	4,95	11,88	18,81	25,73	32,66	39,59	53,45	19,23								
	L1					26,22	33,15	40,07	47,00	53,93	67,79									
	L2					40,77	47,70	54,63	61,56	68,49	82,34									
	Z					36,06	39,52	42,98	46,45	49,91	56,84									
90°	Y					2,51	8,51	14,51	20,51	26,51	38,51	33,95								
	L1							30,03	36,03	42,03	54,03									
	L2							51,87	57,87	63,87	75,87									
	Z							33,95	33,95	33,95	33,95									

IMC/RIGIDE 3 po												Dia. = 3,5			Rayon = 16,48			x = 6		
ANGLE	DIM.	HAUTEUR (H)										H MINIMALE								
		10 po	12 po	15 po	18 po	24 po	30 po	36 po	42 po	48 po	60 po									
15°	Y	23,71	31,43	43,02	54,62	77,80	100,98	124,16	147,34	170,53	216,89	2,68								
	L1	38,61	46,34	57,93	69,52	92,70	115,89	139,07	162,25	185,43	231,80									
	L2	42,93	50,65	62,25	73,84	97,02	120,20	143,38	166,57	189,75	236,11									
	Z	47,66	55,12	66,32	77,52	99,91	122,30	144,69	167,09	189,48	234,26									
22,5°	Y	12,28	17,51	25,35	33,19	48,86	64,54	80,22	95,90	111,58	142,94	4,81								
	L1	26,05	31,27	39,11	46,95	62,63	78,31	93,99	109,67	125,35	156,70									
	L2	32,52	37,74	45,58	53,42	69,10	84,78	100,46	116,14	131,82	163,17									
	Z	36,70	41,53	48,77	56,01	70,50	84,98	99,47	113,95	128,44	157,41									
30°	Y	6,08	10,08	16,08	22,08	34,08	46,08	58,08	70,08	82,08	106,08	7,42								
	L1	19,80	23,80	29,80	35,80	47,80	59,80	71,80	83,80	95,80	119,80									
	L2	28,43	32,43	38,43	44,43	56,43	68,43	80,43	92,43	104,43	128,43									
	Z	32,15	35,62	40,81	46,01	56,40	66,79	77,19	87,58	97,97	118,75									
45°	Y		1,67	5,91	10,15	18,64	27,13	35,61	44,10	52,58	69,55	13,90								
	L1			20,50	24,75	33,23	41,72	50,20	58,69	67,17	84,14									
	L2			33,45	37,69	46,18	54,66	63,15	71,63	80,12	97,09									
	Z			34,65	37,65	43,65	49,65	55,65	61,65	67,65	79,65									
60°	Y				3,25	10,18	17,11	24,03	30,96	37,89	51,75	21,68								
	L1					25,94	32,87	39,80	46,73	53,65	67,51									
	L2					43,20	50,13	57,06	63,98	70,91	84,77									
	Z					38,89	42,35	45,81	49,28	52,74	59,67									
90°	Y					2,51	5,77	11,77	17,77	23,77	35,77	38,96								
	L1							34,93	40,93	52,93										
	L2							60,81	66,81	78,81										
	Z							38,96	38,96	38,96										

IMC/RIGID 3-1/2 po												Dia. = 4    Rayon = 19,18    x = 7		
ANGLE	DIM.	HAUTEUR (H)										H MINIMALE		
		10 po	12 po	15 po	18 po	24 po	30 po	36 po	42 po	48 po	60 po			
15°	Y	21,38	29,11	40,70	52,29	75,48	98,66	121,84	145,02	168,21	214,57	3,12		
	L1	38,61	46,34	57,93	69,52	92,70	115,88	139,06	162,25	185,43	231,79			
	L2	43,63	51,36	62,95	74,54	97,72	120,90	144,09	167,27	190,45	236,81			
	Z	49,37	56,83	68,03	79,23	101,62	124,01	146,40	168,80	191,19	235,97			
22,5°	Y	10,09	15,32	23,16	30,99	46,67	62,35	78,03	93,71	109,39	140,75	5,60		
	L1	26,03	31,26	39,10	46,94	62,62	78,30	93,97	109,65	125,33	156,69			
	L2	33,56	38,79	46,63	54,47	70,15	85,83	101,51	117,18	132,86	164,22			
	Z	38,77	43,60	50,84	58,09	72,57	87,06	101,54	116,03	130,51	159,48			
30°	Y	3,86	7,86	13,86	19,86	31,86	43,86	55,86	67,86	79,86	103,86	8,64		
	L1	19,76	23,76	29,76	35,76	47,76	59,76	71,76	83,76	95,76	119,76			
	L2	29,91	33,81	39,81	45,81	57,81	69,81	81,81	93,81	105,81	129,81			
	Z	34,60	38,06	43,26	48,46	58,85	69,24	79,63	90,02	100,42	121,20			
45°	Y			3,44	7,68	16,17	24,65	33,14	41,62	50,11	67,08	16,19		
	L1				24,63	33,12	41,60	50,09	58,57	67,06	84,03			
	L2				39,69	48,18	56,67	65,15	73,64	82,12	99,09			
	Z				40,89	46,89	52,89	58,89	64,89	70,89	82,89			
60°	Y				0,40	7,33	14,26	21,19	28,11	35,04	48,90	25,24		
	L1						32,58	39,51	46,44	53,36	67,22			
	L2						52,66	59,59	66,52	73,45	87,31			
	Z						46,47	49,93	53,40	56,86	63,79			
90°	Y						1,82	7,82	13,82	19,82	31,82	45,36		
	L1									39,77	51,77			
	L2									69,90	81,90			
	Z									45,36	45,36			

IMC/RIGIDE 4 po												Dia. = 4,5    Rayon = 21,50    x = 8,75		
ANGLE	DIM.	HAUTEUR (H)										H MINIMALE		
		10 po	12 po	15 po	18 po	24 po	30 po	36 po	42 po	48 po	60 po			
15°	Y	18,36	26,09	37,68	49,27	72,46	95,64	118,82	142,00	165,18	211,55	3,73		
	L1	38,60	46,33	57,92	69,51	92,70	115,88	139,06	162,24	185,43	231,79			
	L2	44,23	51,96	63,55	75,14	98,33	121,51	144,69	167,87	191,05	237,42			
	Z	51,73	59,20	70,39	81,59	103,98	126,37	148,76	171,16	193,55	238,33			
22,5°	Y	7,23	12,45	20,29	28,13	43,81	59,49	75,17	90,85	106,52	137,88	6,62		
	L1	26,02	31,25	39,09	46,93	62,60	78,28	93,96	109,64	125,32	156,68			
	L2	34,46	39,69	47,53	55,37	71,05	86,73	102,41	118,08	133,76	165,12			
	Z	41,45	46,27	53,52	60,76	75,24	89,73	104,21	118,70	133,19	162,16			
30°	Y	0,99	4,99	10,99	16,99	28,99	40,99	52,99	64,99	76,99	100,99	10,14		
	L1		23,74	29,74	35,74	47,74	59,74	71,74	83,74	95,74	119,74			
	L2		34,99	40,99	46,99	58,99	70,99	82,99	94,99	106,99	130,99			
	Z		41,06	46,25	51,45	61,84	72,23	82,63	93,02	103,41	124,19			
45°	Y			0,38	4,62	13,10	21,59	30,07	38,56	47,04	64,02	18,78		
	L1					33,02	41,50	49,99	58,47	66,96	83,93			
	L2					49,90	58,39	66,87	75,36	83,84	100,81			
	Z					50,56	56,56	62,56	68,56	74,56	86,56			
60°	Y					3,95	10,88	17,81	24,74	31,66	45,52	29,08		
	L1						32,33	39,26	46,19	53,11	66,97			
	L2						54,84	61,77	68,70	75,63	89,49			
	Z						50,90	54,36	57,82	61,29	68,22			
90°	Y							3,50	9,50	15,50	27,50	51,75		
	L1										50,77			
	L2										84,54			
	Z										51,75			

**Dépannage**

Problème	Cause potentielle	Solution
Plissement du tube TEM.	La broche de chape est dans la mauvaise position.	Placer la broche de chape dans le trou marqué TEM.
	La barre de serrage est à l'envers.	Démonter la barre de serrage et l'insérer avec le côté marqué START (DÉMARRER) vers l'étrier.
	Débris ou dommages sur les surfaces de contact entre le sabot et la barre de serrage.	Nettoyer le sabot et la barre de serrage. Le cas échéant, changer le sabot ou la barre de serrage.
	La barre de serrage n'est pas placée à moins de 1 po de l'étrier au début du cintrage.	Placer la barre de serrage conformément aux instructions de cintrage.
	Barre de serrage non centrée sur le rouleau au début du cintrage.	Centrer la barre de serrage sur le rouleau.
	Rainures du sabot ou de la barre de serrage usées ou évasées.	Changer le sabot ou la barre de serrage.
	Le rouleau ne roule pas sur l'arbre.	Lubrifier le rouleau.
	Conduit de résistance élevée.	Utiliser un TEM standard.
Froissement latéral du TEM.	Barre de serrage non centrée sur le rouleau au début du cintrage.	Centrer la barre de serrage sur le rouleau.
	Conduit pas à niveau (lors du cintrage sur le sol).	Mettre le conduit à niveau.
	Débris ou dommages sur les surfaces de contact entre le sabot et la barre de serrage.	Nettoyer le sabot et la barre de serrage. Le cas échéant, changer le sabot ou la barre de serrage.
	Rainure de la barre de serrage usée ou évasée.	Changer la barre de serrage.
Impossible de cintrer le TEM.	La barre de serrage est à l'envers.	Démonter la barre de serrage et l'insérer avec le côté marqué START (DÉMARRER) vers l'étrier.
Plissement du tube IMC ou rigide.	La barre de serrage est à l'envers.	Démonter la barre de serrage et l'insérer avec le côté marqué START (DÉMARRER) vers l'étrier.
Froissement latéral du tube IMC ou rigide.	Conduit pas à niveau (lors du cintrage sur le sol).	Mettre le conduit à niveau.
	Barre de serrage non centrée sur le rouleau au début du cintrage.	Centrer la barre de serrage sur le rouleau.
Impossible de cintrer le tube IMC ou rigide.	La broche de chape est dans la mauvaise position.	Placer la broche de chape dans le trou marqué ICM/rigide.
	La barre de serrage est installée à l'envers.	Démonter la barre de serrage et l'insérer avec le côté marqué START (DÉMARRER) vers l'étrier.
Le vérin n'avance pas.	Pas assez de liquide hydraulique dans la pompe.	Compléter le niveau. Voir les instructions fournies avec la pompe.
	Évent de pompe fermé.	Ouvrir l'évent de pompe.
	Raccords de flexible mal serrés.	Serrer les raccords de flexible.
	Chute de tension excessive en raison de la longueur du cordon électrique.	Utiliser un cordon électrique plus court ou plus puissant.
Le vérin est mal aligné.	Les agrafes pour goupille d'attelage du bloc-cylindres ne sont pas dans les bons trous pour goupille d'attelage (Fig. 7).	Déplacer les agrafes pour goupille d'attelage dans les bons trous.
	Support de piston pas installé.	Installer le support de piston.
	Les goupilles d'attelage du bloc-cylindres sont pliées.	Remplacer les goupilles d'attelage du bloc-cylindres.

## Entreposage et transport

<b>⚠ MISE EN GARDE</b>

<ul style="list-style-type: none"><li>• <b>Certaines pièces et certains accessoires de cet outil sont lourds.</b> Utiliser des techniques de levage appropriées pour réduire le risque de blessure.</li></ul>

La cintruse 881 est livrée avec un coffre de rangement qui peut être utilisé pour le transport et l'entreposage.

1. Dépressuriser et déconnecter la pompe avant de toucher la cintruse.
2. Détacher le flexible de la pompe du vérin.
3. Retirer la barre de serrage, le sabot et l'étrier.
4. Démonter la cintruse en suivant les instructions de montage à l'envers.
5. Ranger la cintruse dans un endroit frais et sec à l'intérieur ou couvert si elle est rangée à l'extérieur.

Voir le manuel d'instructions de la **table de cintrage mobile pour la cintruse hydraulique 881** pour le transport et l'entreposage de la cintruse lorsqu'elle est montée sur la table de cintrage mobile.

## Nettoyage

<b>⚠ MISE EN GARDE</b>
 
<ul style="list-style-type: none"><li>• <b>Le liquide sous pression peut aisément percer la peau et provoquer des blessures graves, une gangrène ou la mort.</b> Ne pas utiliser les mains pour contrôler l'étanchéité. Rester à l'écart des composants sous pression. Dépressuriser le système hydraulique avant de toucher le flexible ou les fixations. En cas de lésion, consulter immédiatement un médecin pour extraire l'huile.</li><li>• <b>Ne pas modifier l'outil.</b> La modification de l'outil de quelque manière que ce soit peut entraîner des blessures corporelles et des dommages à l'outil.</li><li>• <b>Ne pas tenter d'ouvrir l'outil.</b> Il ne contient aucune pièce réparable par l'utilisateur.</li></ul>

Dépressuriser la pompe avant de toucher la pompe, le flexible ou la cintruse pour les nettoyer.

Essuyer avec un chiffon propre et sec. Ne pas utiliser de solvants ou de produits chimiques agressifs.

Nettoyer les surfaces de cintrage (rainure de la barre de serrage, sabots et étriers) de tout débris afin de réduire le risque de grippage sur les surfaces de cintrage qui pourrait entraîner le plissement ou le froissement du conduit.

## Kit de réparation et accessoires

N° CATALOGUE	DESCRIPTION
10103C	VÉRIN 40 TONNES AVEC COUPLEUR RAPIDE (FEMELLE), 2 GOUPILLES DE BLOC CYLINDRE, 2 AGRAFES POUR GOUPILLE D'ATTELAGE.
12801G	SUPPORT DE PISTON
94849G	2 GOUPILLES DE BLOC CYLINDRE
2725AA	4 AGRAFES POUR GOUPILLE D'ATTELAGE
94848G	BARRES DE RACCORDEMENT
12795G	UNITÉ DE ROULEAU, AVEC 2 AGRAFES POUR GOUPILLE D'ATTELAGE
30309	CHAPE
12800G	SUPPORT DE PISTON ET CHAPE DÉPLOYÉE
12797G	BROCHE DE CHAPE
26349	AGRAFE ÉLASTIQUE DE CHAPE
12796G	BROCHE DE L'ÉTRIER
94811G	GROUPE DE 2-1/2 po (RAYON DE 13-1/2 po)
26297	SABOT DE 2-1/2 po
88632G	BARRE DE SERRAGE DE 2-1/2 po
26580	ÉTRIER DE 2-1/2 po
94812G	GROUPE DE 3 PO (RAYON DE 16 PO)
26300	SABOT DE 3 PO
88633	BARRE DE SERRAGE DE 3 PO
26584	ÉTRIER DE 3 PO
94813G	GROUPE DE 3-1/2 po (RAYON DE 18-5/8 PO)
31882	SABOT DE 3-1/2 po
88634	BARRE DE SERRAGE DE 3-1/2 po
26588	ÉTRIER DE 3-1/2 po
94814G	GROUPE DE 4 PO (RAYON 20-7/8 PO)
31884	SABOT DE 4 PO
88635	BARRE DE SERRAGE DE 4 PO
26594	ÉTRIER DE 4 PO
11289	FLEXIBLE HAUTE PRESSION 3/8 PO x 6 PI AVEC COUPLEURS RAPIDES (MÂLE)
2460	BOÎTE DE CHANTIER (4860)
696	JEU DE ROULETTES POUR BOÎTE DE CHANTIER

## Réparation

### **MISE EN GARDE**

- **La réparation de l'outil doit être effectuée uniquement par un technicien qualifié.** Toute réparation ou toute opération d'entretien effectuée par du personnel non qualifié peut entraîner des blessures.

## Mise au rebut

Certaines parties de ces outils contiennent des matériaux précieux et peuvent être recyclées. Il existe des entreprises spécialisées dans le recyclage localement. Éliminer les composants en conformité avec toutes les réglementations applicables. Communiquer avec l'organisme de gestion des déchets local pour plus de renseignements.