

F1960 Brass PEX Reducing Tee

Job Name	_____
Location	_____
Engineer	_____
Contractor	_____
Tag	_____ PO# _____

Specifications

Manufactured to the highest industry standards, Jones Stephens' F1960 lead-free brass cold expansion fittings provide precise, secure, and leak-free connections. Made with DZR brass, F1960 cold expansion fittings are corrosion and chlorine/chemical resistant – making them a great fit for aggressive water environments. Approved for use with PEX-A piping. Can be used with F1960 PEX rings.

Applications

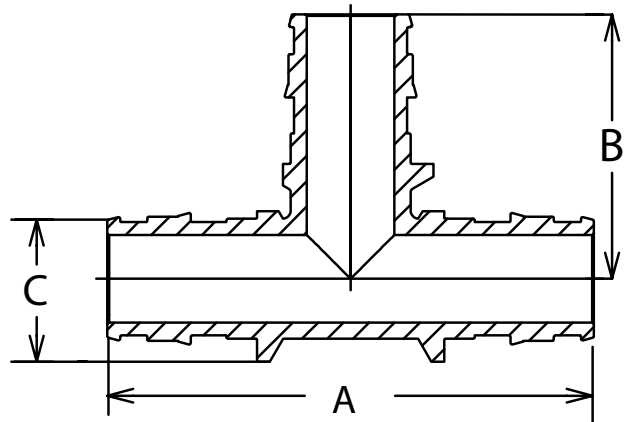
Jones Stephens' F1960 Brass PEX Reducing Tees are approved for use with commercial and residential non-potable water applications.

Materials

Lead-free DZR brass

Certifications/Listings/Approvals

- ASTM F1960-2021
- NSF/ANSI/CAN 61-2021
- NSF/ANSI/CAN 372-2022
- NSF/ANSI 14-2015
- CSA B137.5-2020
- Lead Law Compliant



	ID	OD
F1960 Specified Dimensions	in (mm)	in (mm)
1/2" End Connection	.41(10.33)	.61(15.59)
5/8" End Connection	.53(13.40)	.74(18.90)
3/4" End Connection	.62(15.80)	.87(22.10)
1" End Connection	.83(21.00)	1.11(28.10)
1-1/4" End Connection	.80(20.32)	1.36(35.54)
1-1/2" End Connection	1.08(27.43)	1.49(37.85)
2" End Connection	1.56(39.62)	2.08(52.83)

PRODUCT OFFERING ON PAGE 2

Dimensions and Product Offering

PART NO.	SIZE	A - IN (MM)	A TOLERANCE ±IN(MM)	B - IN (MM)	B TOLERANCE ±IN(MM)	C - IN (MM)	C TOLERANCE ±IN(MM)	WEIGHT - LBS (G)	WEIGHT TOLERANCE ±LBS (G)
F76905	0.50" x 0.50" x 0.75"	2.49 (63.20)	0.36 (9.07)	1.48 (37.60)	0.04 (0.912)	0.77 (19.50)	9.068	0.15 (69.85)	0.02 (10.89)
F76906	0.75" x 0.50" x 0.50"	2.33 (59.20)	0.36 (9.07)	1.38 (35.10)	0.04 (0.912)	1.02 (26.00)	9.068	0.15 (67.13)	0.02 (10.89)
F76913	0.75" x 0.50" x 0.75"	2.61 (66.20)	0.36 (9.07)	1.62 (41.10)	0.04 (0.912)	1.02 (26.00)	9.068	0.19 (85.28)	0.02 (10.89)
F76867	0.75" x 0.75" x 0.50"	2.72 (69.20)	0.36 (9.07)	1.38 (35.10)	0.04 (0.912)	1.02 (26.00)	9.068	0.18 (81.65)	0.02 (10.89)
F76869	0.75" x 0.75" x 1.00"	3.28 (83.20)	0.36 (9.07)	1.81 (46.10)	0.04 (0.912)	1.02 (26.00)	9.068	0.28 (128.82)	0.02 (10.89)
F76896	1.00" x 0.50" x 1.00"	3.20 (81.20)	0.36 (9.07)	2.01 (51.10)	0.04 (0.912)	1.36 (34.50)	9.068	0.36 (165.56)	0.02 (10.89)
F76903	1.00" x 0.75" x 0.50"	2.88 (73.20)	0.36 (9.07)	1.52 (38.60)	0.04 (0.912)	1.36 (34.50)	9.068	0.24 (108.41)	0.02 (10.89)
F76898	1.00" x 0.75" x 0.75"	3.04 (77.20)	0.36 (9.07)	1.80 (45.60)	0.04 (0.912)	1.36 (34.50)	9.068	0.28 (124.74)	0.02 (10.89)
F76897	1.00" x 0.75" x 1.00"	3.41 (86.70)	0.36 (9.07)	1.99 (50.60)	0.04 (0.912)	1.36 (34.50)	9.068	0.35 (160.12)	0.02 (10.89)
F76894	1.00" x 1.00" x 0.50"	3.20 (81.20)	0.36 (9.07)	1.52 (38.60)	0.04 (0.912)	1.36 (34.50)	9.068	0.29 (131.09)	0.02 (10.89)
F76895	1.00" x 1.00" x 0.75"	3.31 (84.20)	0.36 (9.07)	1.78 (45.10)	0.04 (0.912)	1.36 (34.50)	9.068	0.32 (145.15)	0.02 (10.89)