

Flow Switch

FEATURES:

- Flow Switch: Brass, SPDT, 5A @ 120VAC
- Junction Box: Metallic ¾" (2) Outlet, NEMA 4 approved.
- Pipe & Fittings: Schedule 40 Galvanized Steel
- Electrical Classification: Rated for Class 1, Div. 2, Groups B, C, and D Hazardous Areas.
- Inlet: 1-1/4" FNPT
- Outlet: 1" FNPT

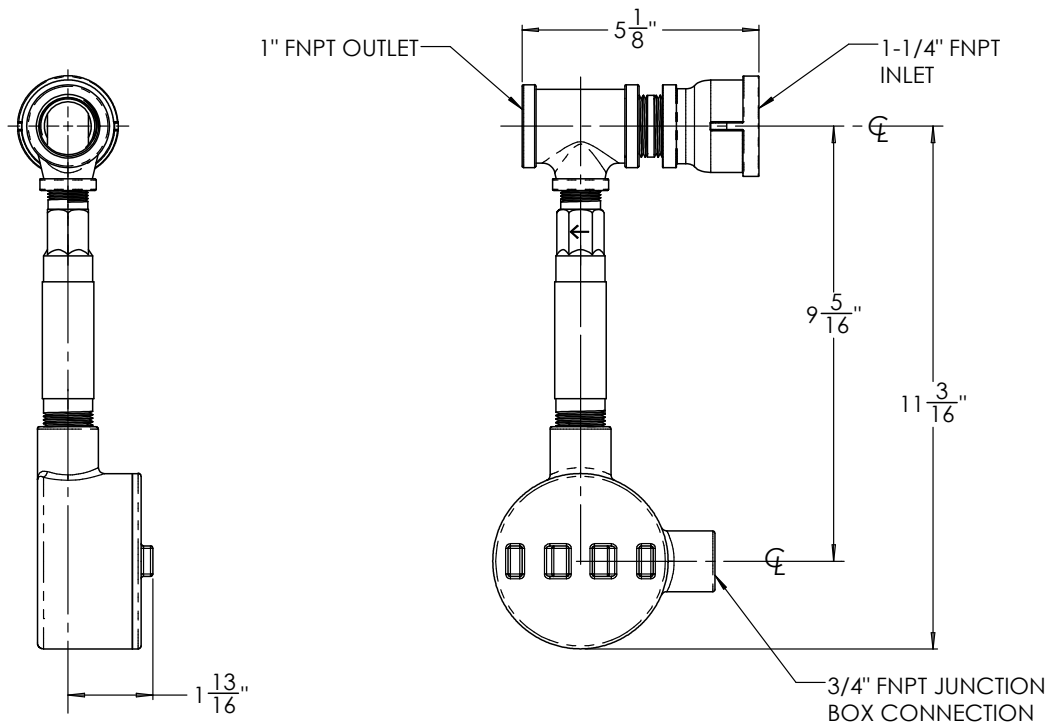
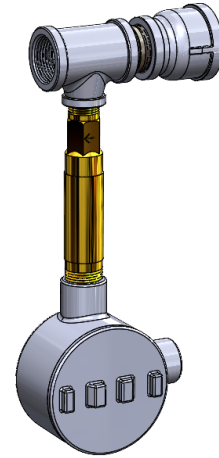
OPTIONS:

- DPDT: Double-Pole, Double Throw for remote signaling.

WARRANTY:

Visit www.speakman.com for full product warranty information

- 3 Year Limited Warranty (commercial)



1. All dimensions are in inches (millimeters) unless otherwise specified and are subject to change without notice. 2. Before mounting, verify the supply hose will reach the connection.

Architect/Engineer Approval Space:

P: 800-537-2107
 F: 800-977-2747
 W: WWW.SPEAKMAN.COM
 R: 01-OCTOBER 2023