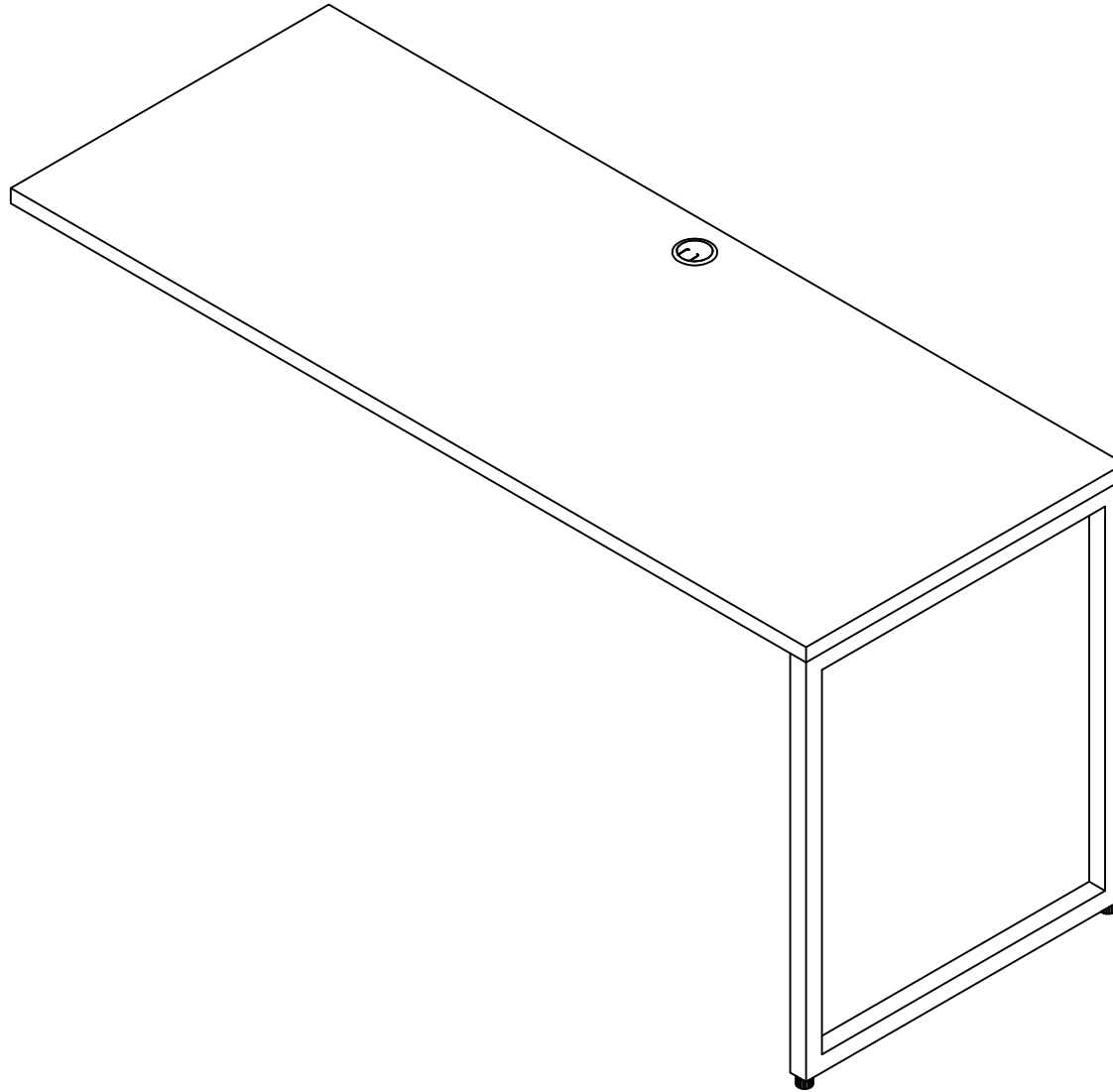


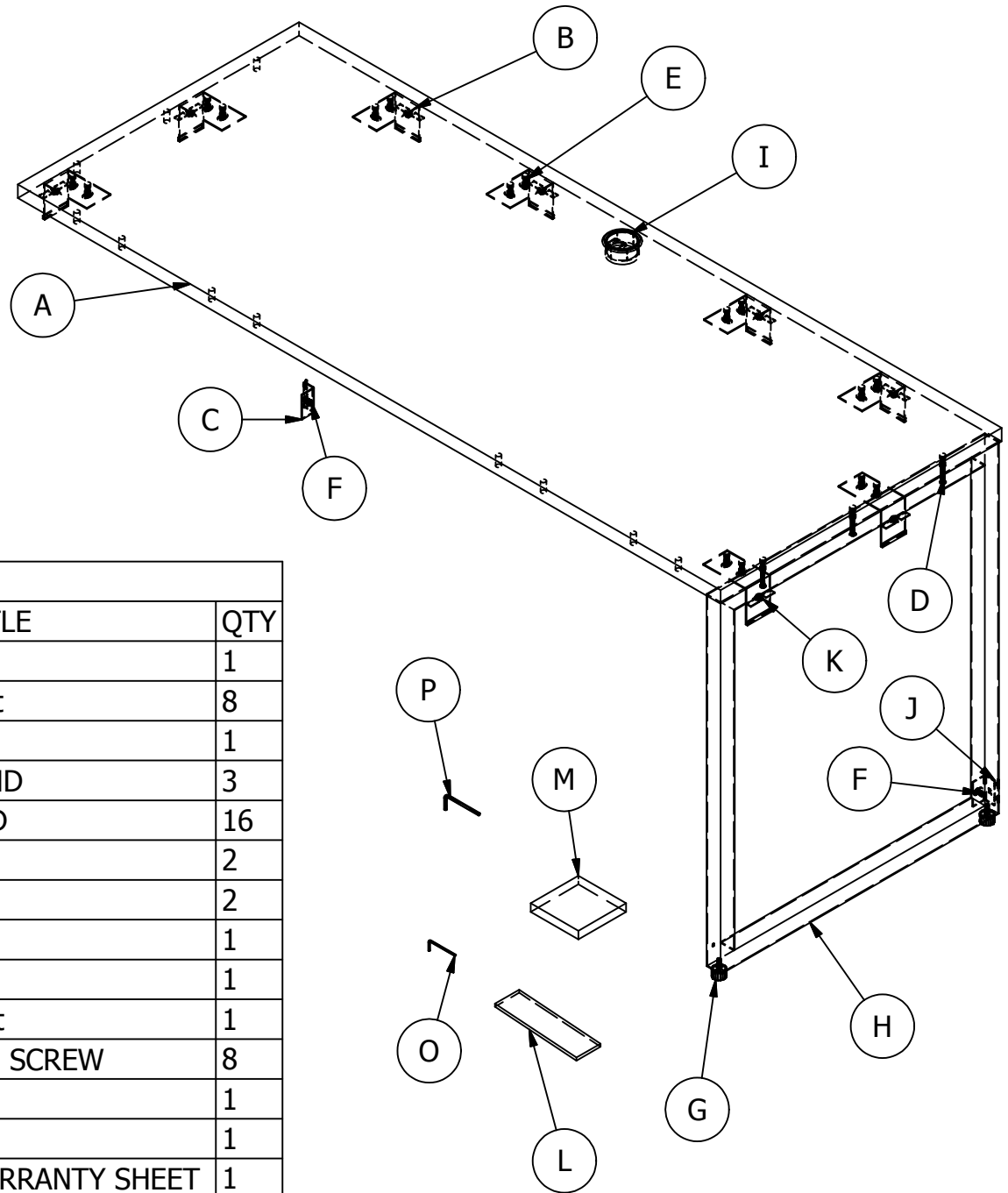
EOW160MR

BOX A: 60W X 24D WORKSURFACE WITH LEG



NEED HELP?
Call 1-800-950-4782
www.bushbusinessfurniture.com

Lot Code #



Parts List

ITEM	PART NUMBER	TITLE	QTY
A	S181424	60" Top Shelf	1
B	H181330	Desk Top Bracket	8
C	H181333	Left Leg Bracket	1
D	H181338	M6 x 45 Socket HD	3
E	H181337	M6 x 20 Truss HD	16
F	H181336	M6 x 12 Screw	2
G	H181327	Leveler	2
H	H181341	Leg	1
I	H181343	2" GROMMET	1
J	H181401	Right Leg Bracket	1
K	H77340	#8 x 1/2 TR. HD. SCREW	8
L	W181342	Locator Block	1
M	W181404	Spacer Block	1
N	A180134	BBF 10 YEAR WARRANTY SHEET	1
O	H132138	2.5mm ALLEN WRENCH	1
P	H181340	4mm ALLEN WRENCH	1