

Saramonic

Wireless Lavalier Microphone 无线领夹式麦克风

BTW

User Manual
用户手册



Statement

Please read this manual carefully before using and strictly operate and store in accordance with the instructions. Please save it for your future reference.

If the user manual can not help you to solve certain problems, please ask your retailer for help or email us: info@saramonic.com.

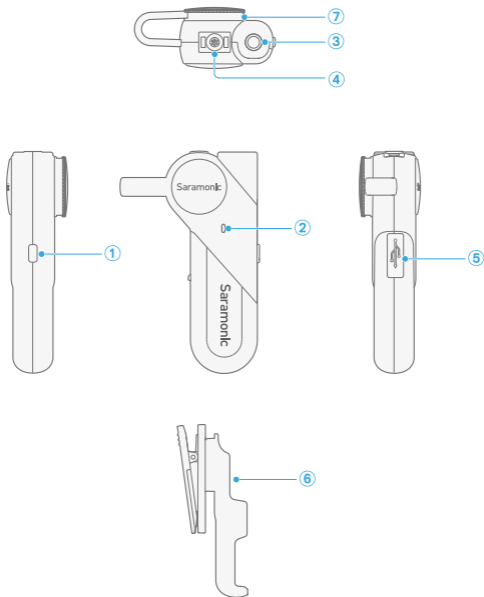
Cautions

1. Please do not dismantle the outer case.
2. Don't place this unit close to heat sources such as heater, oven, or other devices that produce heat.
3. Please do not replace the battery on your own.
4. Only use a soft, dry cloth to clean the product.
5. When using and storing, please pay attention to dust and moisture.

General Introduction

The BTW is a compact and portable wireless lavalier microphone. It features an omnidirectional microphone capsule, which delivers clear and intelligible sound. The BTW can work in tandem with third-party apps for audio/video recording. It is compatible with iOS/Android phones and laptops with Bluetooth. With an operating range of up to 80m, the BTW is ideal for content creation, live streaming, interviews, online class, etc.

Product Structure



① Power Button

Function	Operation
Power ON	Press and hold the button for 2 seconds
Power OFF	Press and hold the button for 3 seconds
Play/Pause	Short press the button (successfully connected)
Clear Pairing Records	Make sure the BTW is turned off. Then press and hold the button for 5 seconds.

② Status Indicator

Mode	Indicator
Unpaired (wait for pairing)	Blinks blue 3 times, then flashes blue and green alternately (If not connected within two minutes, the unit will enter standby mode.)
Standby Mode	Slow flashing green light
Power OFF	Green light blinks 3 times
Paired Successfully	Slow flashing blue light
Low Battery	Voice prompts "Low Battery" every two minutes
Charging	Solid green light
Fully Charged	Back to the original status

③ 3.5mm (Audio) Jack

It supports 3.5mm TRS/TRRS headphone monitoring.

Note: When connected to 3.5mm TRRS earphones, audio is picked up from the earphone's built-in mic, and the BTW's built-in mic is disabled.

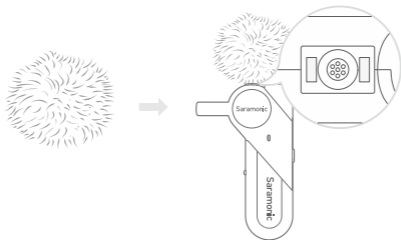
④ Built-in Microphone

⑤ USB Type-C Charging Port

⑥ Belt Clip (Detachable)

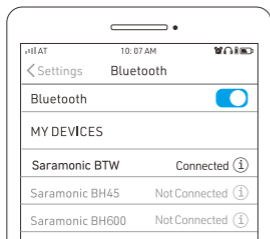
⑦ Magnetic Clip

Accessory Setup Guide



Operation Guide

1. Press and hold the power button for 2 seconds to turn on the BTW.
2. Pairing.



First time pairing:

- ① The BTW will enter pairing mode automatically after power on. The indicator flashes blue and green alternately.
- ② Turn on Bluetooth, then select "Saramonic BTW" on your device.
- ③ When connected successfully, the indicator flashes blue slowly.

Automatic connection:

Turn on the Bluetooth of the last device connected, and then turn on the BTW, the connection between the device and the BTW will be automatically established.

3. Open the Saramonic SmartRecorder app or a third-party audio/video app and start recording.

For better recording experience, the application SmartRecorder is recommended.

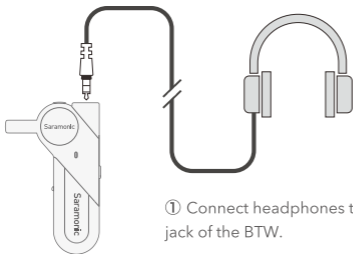
Please scan the following QR code to download and install SmartRecorder. Please make sure you download the latest version of the app.



SmartRecorder

Note: For better compatibility with third-party apps, please open SmartRecorder first before opening third-party apps.

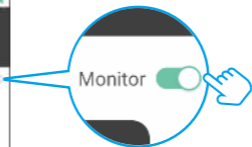
4. Connect headphones for audio monitoring.



- ① Connect headphones to the 3.5mm audio jack of the BTW.



- ② Turn on the Monitor function on the SmartRecorder(or any other app with monitor function) as shown.



Specifications

Transmission Type	2.4GHz wireless transmission
Modulation	GFSK
Operating Range	80m (line-of-sight)
RF Output Power	<10dBm
Polar Pattern	Omnidirectional
Maximum SPL	120dB SPL
Sensitivity	-42dB
Power Requirement	Built-in Li-ion Battery
Charging Port	USB Type-C
Battery Life	10 hours
Antenna	Built-in Antenna
Audio Connector	3.5mm headphone jack (stereo output)
Dimensions	67.6×42.6×18.4mm
Weight	24.5g
Operating Temperature	0°C to 50°C
Storage Temperature	-20°C to 55°C

Packing List

- 1×BTW Wireless Lavalier Microphone
- 1×USB-A to USB-C Charging Cable
- 1×Fur Windshield
- 1×Belt Clip

声明

请在使用前仔细阅读本手册，并严格按照说明进行操作和存储。请妥善保管好说明书以供将来参考。如果用户手册不能帮助您解决某些问题，请向零售商寻求帮助或给我们发送电子邮件: info@saramonic.com。

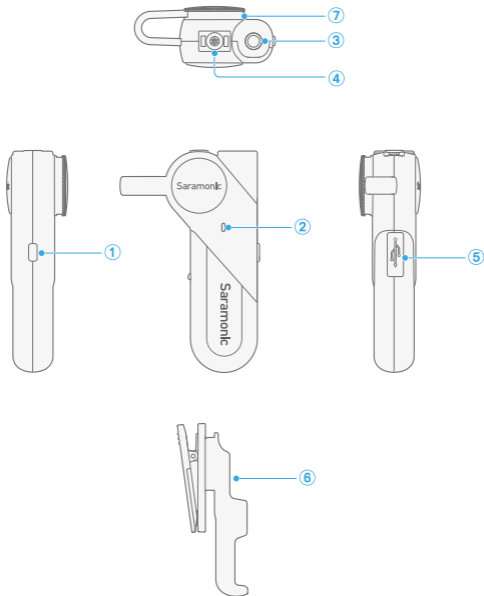
注意事项

- 1.请勿擅自拆开机壳；
- 2.请勿将本机靠近热源，如加热器、烤箱或其他产生热量的设备。
- 3.电池不可自行更换。
- 4.请使用柔软的干布清洁本设备。
- 5.在使用和储存时，请注意防尘和防潮。

概述

BTW是一款小巧便携的无线领夹式麦克风。产品选用全指向高保真咪头，音质清晰透澈。通过设备连接，与第三方APP搭配使用，进行高品质的录音/视频录制。产品兼容苹果、安卓手机以及带蓝牙功能的笔记本电脑。BTV的工作范围最远可达80m，是视频内容创作，网络直播，采访，在线教学等的理想选择。

产品结构



① 电源键

功能	操作
开机	长按电源键2秒
关机	长按电源键3秒
播放/暂停	短按电源键 (已连接状态下)
清除配对记录	在关机状态下, 长按电源键5秒

② 状态指示灯

模式	指示灯
未联机状态 (等待配对)	蓝灯快闪3次后, 蓝绿灯交替闪烁 (持续两分钟未配对, 产品会自动进入待机状态)
待机状态	绿灯慢闪
关机	绿灯快闪3次
联机成功状态	蓝灯慢闪
低电量	低电提示音 (low battery), 每两分钟提醒一次
充电中	绿灯常亮
充满电	退回到原来状态

③ 3.5mm (音频) 插孔

支持3.5mm TRS/TRRS耳机监听。

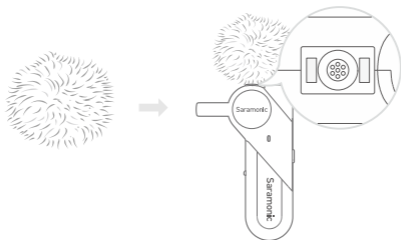
注意: 当使用TRRS耳机监听时, 输入音源来自耳机自带麦克风。

④ 内置麦克风

⑤ 充电孔 (标准Type-C接口)

⑥ 背夹 (可拆卸)

⑦ 磁吸领夹



操作指南

1. 长按电源键2秒，将产品开机。

2. 配对



初次配对:

- ① BTW会在开机后自动进入配对模式，指示灯呈蓝绿灯交替闪；
- ② 打开手机蓝牙，找到“Saramonic BTW”并连接；
- ③ 连接成功，指示灯呈蓝灯慢闪。

自动回连:

BTW与设备有过连接记录的情况下，只需将手机蓝牙开启，长按电源键2秒将BTW开机，BTW会自动与上一次连接的设备进行配对。

3. BTW与手机连接成功后，打开SmartRecorder或第三方音频/视频APP即可开始录制。



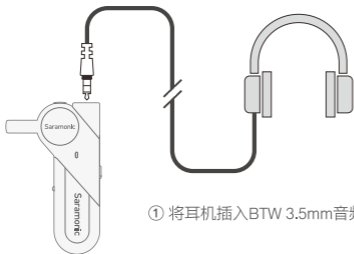
SmartRecorder

为获得更好的录制体验，推荐使用枫笛自主研发的应用软件SmartRecorder。

请扫描下方二维码下载并安装SmartRecorder。（请确保您下载的是最新版本的APP。）

注意：为了更好地兼容第三方APP，在打开第三方APP之前请先打开SmartRecorder。

4. 接入耳机进行音频监听



① 将耳机插入BTW 3.5mm音频插孔;



② 如图所示，打开SmartRecorder（或任何其他具有监听功能的APP）上的监听功能；

实时监听

参数

传输类型	2.4GHz无线传输
调制方式	高斯频移键控
工作距离	80米(视距)
射频输出功率	<10dBm
拾音模式	全向型
麦克风最大声压级	120dB SPL
麦克风灵敏度	-42dB
供电方式	内置锂电池
充电接口	USB Type-C
续航	10小时
天线	内置天线
音频接口	3.5mm耳机插孔, 立体声输出
尺寸	67.6×42.6×18.4mm
重量	24.5g
工作温度	0°C ~ 50°C
储存温度	-20°C ~ 55°C

包装清单

BTW无线领夹式麦克风×1
USB-C充电线×1
防风毛套×1
背夹×1



For better recording experience, the application **SmartRecorder** is recommended.

为获得更好的录制体验，推荐使用枫笛 Saramonic 自主研发应用软件 **SmartRecorder**。



Scan the QR code and follow us!
扫描微信关注枫笛公众号!

Shenzhen Jiayz Photo Industrial., Ltd
深圳市长丰影像器材有限公司

A16 Building, Intelligent Terminal Industrial Park of Silicon Valley
Power, Guanlan, Longhua District, Shenzhen, China
深圳市龙华区观澜街道大富工业区硅谷动力智能终端产业园A16栋