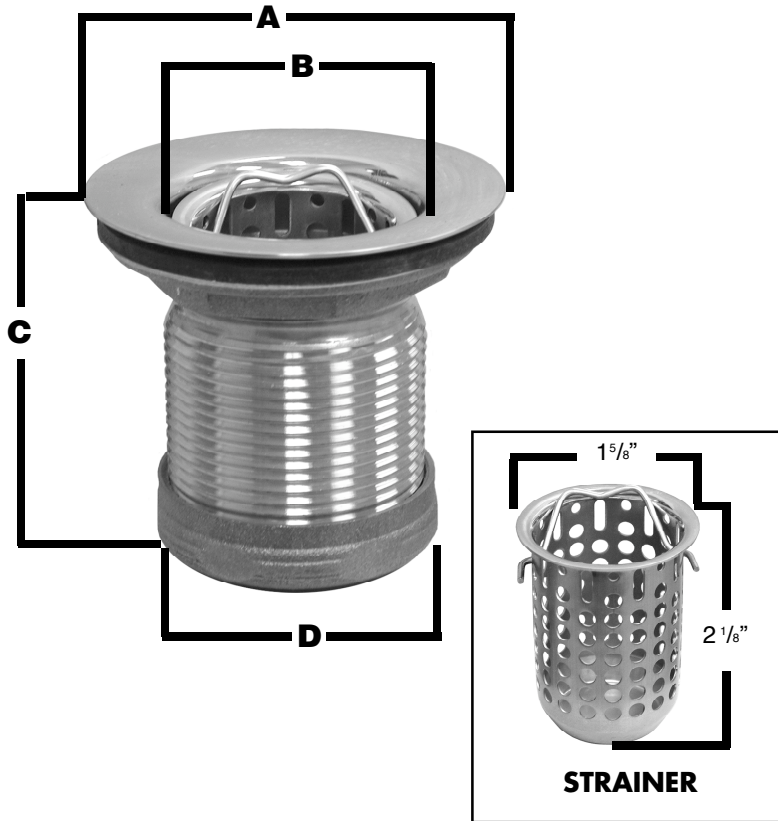


SPECIFICATION SUBMITTAL SHEET

j o n e s s t e p h e n s c o r p o r a t i o n

POLISHED BRASS DEEP JUNIOR DUO BASKET STRAINER



PART NO. B02-101

features and benefits:

- Polished brass body
- Complete with nuts and washers
- For 2" and 2 1/2" outlets

This product and others like it can be found in the Jones Stephens catalog. Call today to order your catalog or download it from our website: www.plumbest.com

PART NO.	DESCRIPTION	A	B	C	D
□ B02-101	2"	2 7/8"	1 3/4"	2 1/2"	1 15/16"

jones stephens corporation
 3249 moody parkway • moody, alabama 35004
 toll free phone: 1-800-355-6637 • toll free fax: 1-800-462-6991
www.plumbest.com